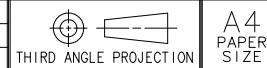
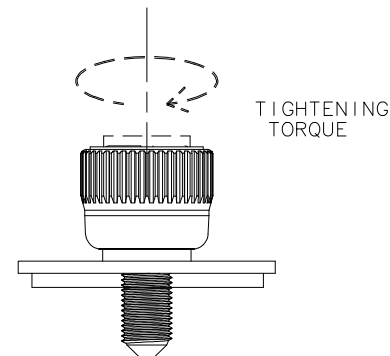
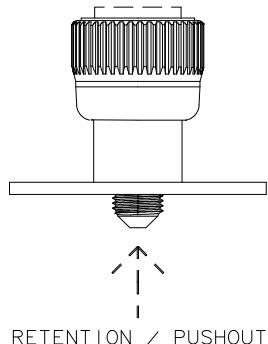
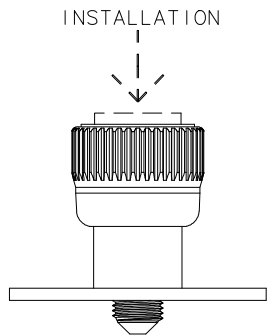


REV	DATE	DRAWN/CHKD	DESCRIPTION										
A	09APR2002	GDM	UPDATE FORMAT										



SOUTHCO PERFORMANCE GUIDELINES

THE PERFORMANCE GUIDELINES SHOWN ON THIS PAGE ARE SUPPLIED AS A GENERAL GUIDE ONLY, AS CONDITIONS VARY WITH EACH APPLICATION AND METHOD OF INSTALLATION. STRENGTH DATA GIVEN IS FOR FAILURE OF THE PRODUCT OR FOR SUFFICIENT DEFORMATION TO MAKE PRODUCT INOPERABLE. NO SAFETY FACTOR HAS BEEN APPLIED. IT IS RECOMMENDED THAT THE USER REQUEST A PRODUCT SAMPLE FOR TESTING TO DETERMINE THE SUITABILITY OF THE PRODUCT FOR THE PURPOSE INTENDED AND USER'S PARTICULAR APPLICATION.



ASSEMBLY NUMBER	SCREW SIZE	RECOMMENDED INSTALLATION FORCE N (lbf)		
		ALUMINUM 5052-H32	CRS ASTM A 109 #5 TEMPER	CRS ASTM A 109 #2 TEMPER
47- ⁶ / ₉ X-1X1-XX	4-40 M3	5500 (1235)	9000 (2025)	11000 (2475)
47- ⁶ / ₉ X-2X1-XX	6-32 M3.5	6500 (1460)	10500 (2360)	12000 (2700)
47- ⁶ / ₉ X-3X1-XX	8-32 M4	7000 (1575)	11000 (2475)	12500 (2810)
47- ⁶ / ₉ X-5X1-XX	10-32 M5	7000 (1575)	11000 (2475)	12500 (2810)
47- ⁶ / ₉ X-6X1-XX	1/4-20 M6	7000 (1575)	12000 (2700)	12500 (2810)

AVERAGE PUSHOUT FORCE N (lbf)	SEE NOTES 1&2	AVERAGE TIGHTENING TORQUE TO FAILURE N•cm (lbf•in)	SEE NOTE 5
661 (149)		190 (17)	SEE NOTE 3
800 (180)		295 (26)	SEE NOTE 3
718 (161)		501 (44)	SEE NOTE 3
700 (157)		532 (47)	SEE NOTE 4
800 (180)		677 (60)	SEE NOTE 4

- NOTES:
1. INSTALLED INTO COLD ROLLED STEEL ASTM A 109 #5 TEMPER (Rb 43) 1.2 mm (.048") THICK MATERIAL. RESULTS IN OTHER MATERIALS MAY VARY.
 2. FAILURE OCCURRED WHEN SAMPLE RELEASED FROM PANEL, GROOVE OF FERRULE FAILED OR KNOB UNCRIMPED FROM ASSEMBLY.
 3. FAILURE OCCURRED WHEN SCREW SHANK BROKE.
 4. FAILURE OCCURRED WHEN SCREW RECESS STRIPPED.
 5. SLOTTED DRIVE RECESS TESTED.