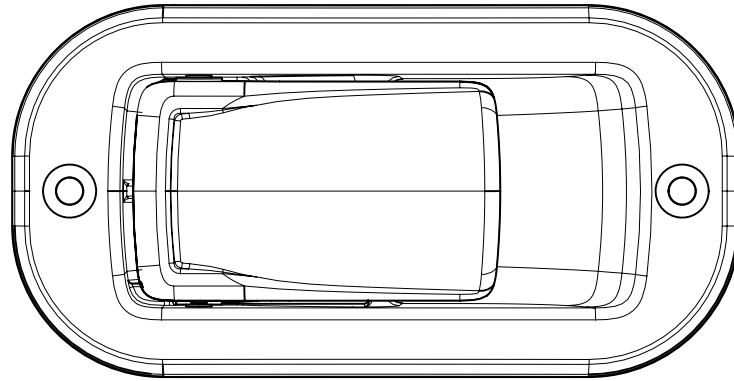


REVISION HISTORY			
REV	DATE	BY	DESCRIPTION
A	08FEB2012	RJB/LBT	INITIAL DRAWING RELEASE

SOUTHCO PERFORMANCE GUIDELINES

THE PERFORMANCE GUIDELINES SHOWN ON THIS PAGE ARE SUPPLIED AS A GENERAL GUIDE ONLY, AS CONDITIONS VARY WITH EACH APPLICATION AND METHOD OF INSTALLATION. STRENGTH DATA GIVEN IS FOR FAILURE OF THE PRODUCT OR FOR SUFFICIENT DEFORMATION TO MAKE PRODUCT INOPERABLE. NO SAFETY FACTOR HAS BEEN APPLIED. IT IS RECOMMENDED THAT THE USER REQUEST A PRODUCT SAMPLE FOR TESTING TO DETERMINE THE SUITABILITY OF THE PRODUCT FOR THE PURPOSE INTENDED AND USER'S PARTICULAR APPLICATION.



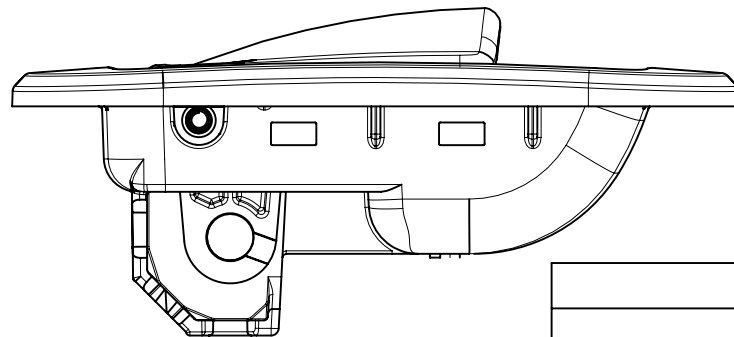
CYCLE LIFE: 22500 CYCLES

MAXIMUM OPERATING TEMPERATURE RANGE:
-40°C (-40°F) TO 82°C (180°F)

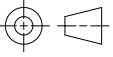

MAXIMUM TENSILE LOAD ON PADDLE: 700N (157 lbf)
- MAXIMUM TENSILE LOAD IS PERPENDICULAR TO THE MOUNTING SURFACE OF THE ACTUATOR.

IT IS RECOMMENDED TO USE ONLY FITTING A AND J SHOWN ON DRAWING J-AC-C WITH THIS ACTUATOR

IT IS RECOMMENDED TO USE ONLY THE LOW PROFILE SNAP IN CONDUIT SHOWN IN OPTION 6 ON DRAWING J-AC-C WITH THIS ACTUATOR



1	AC-75-101-11	ASSEMBLY	
NO.	PART NUMBER	ITEM	

	THIRD ANGLE PROJECTION				 CONNECT • CREATE • INNOVATE				
	MILLIMETERS [IN]								
	TOLERANCES UNLESS OTHERWISE NOTED	DESCRIPTION							
SURFACE AREA	XXXXXmm ²	PADDLE ACTUATOR							
VOLUME	XXXXXmm ³	SIZE	SYSTEM	DWG NO.					
<small>PROPRIETARY ITEM EXCEPT FOR USES EXPRESSLY GRANTED IN WRITING, INFORMATION DISCLOSED HEREON IS CONFIDENTIAL AND ALL RIGHTS, PATENT AND OTHERWISE, ARE RESERVED BY SOUTHCO, INC.</small>		A4	NX	TD-AC-75-101					
PER ASME Y14.5M-1994		DRAWN BY	RJB	DATE	08FEB2012	SCALE	1:1	SHEET	1 OF 1