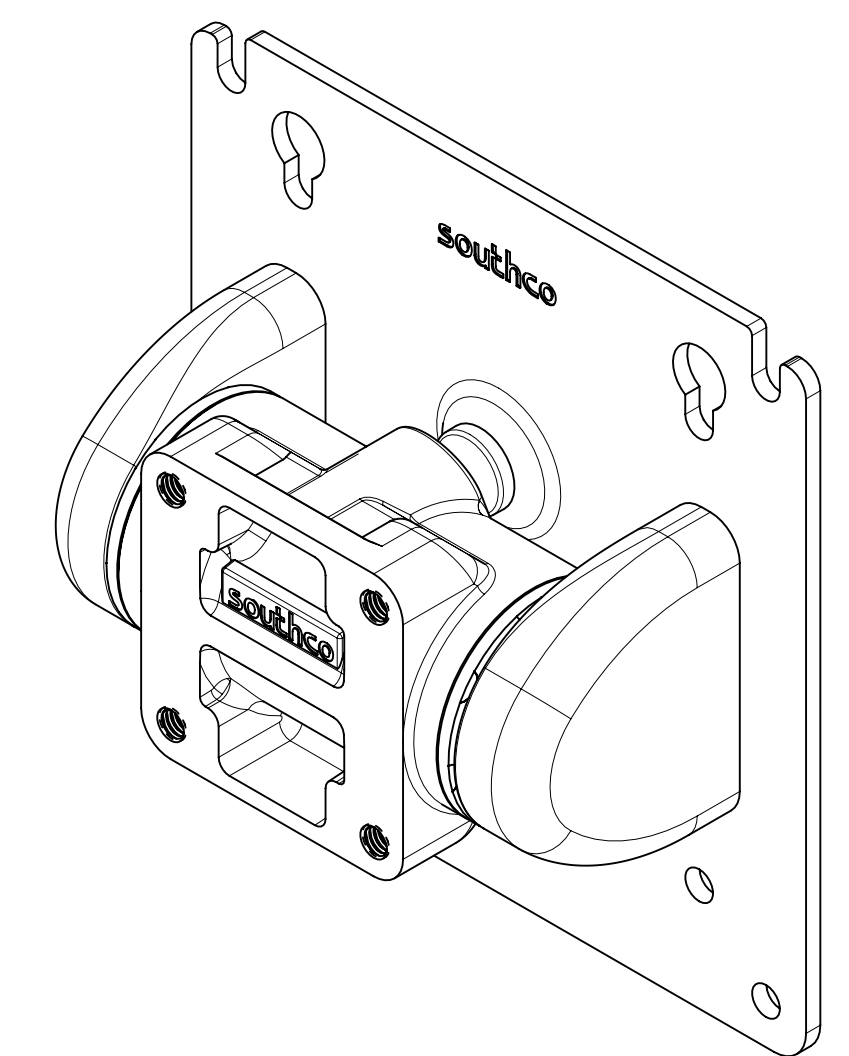
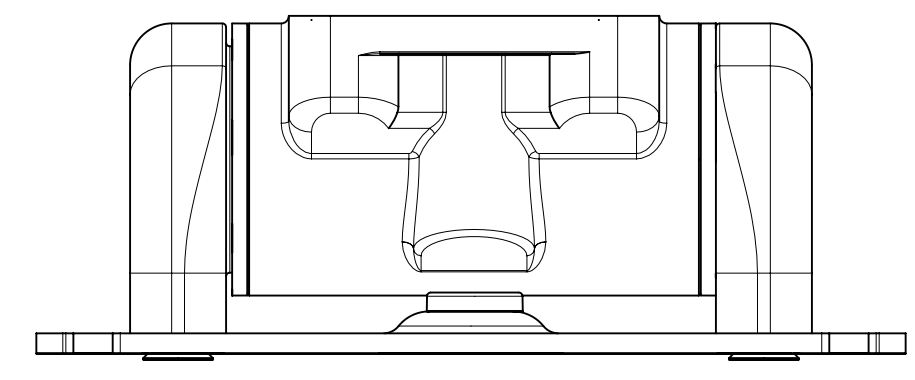
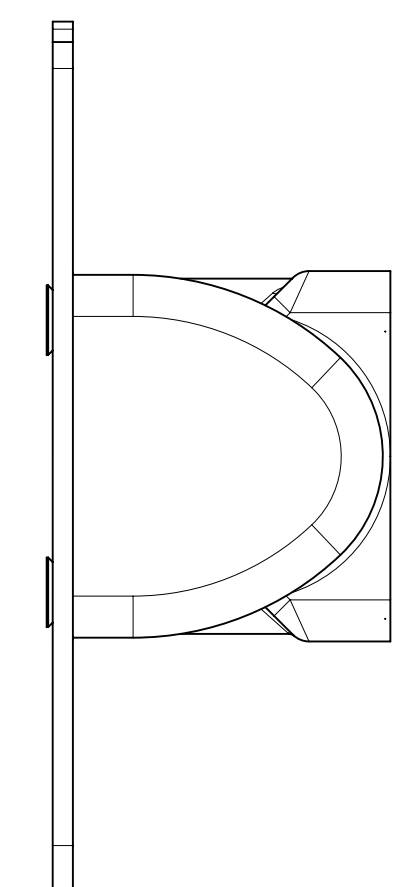
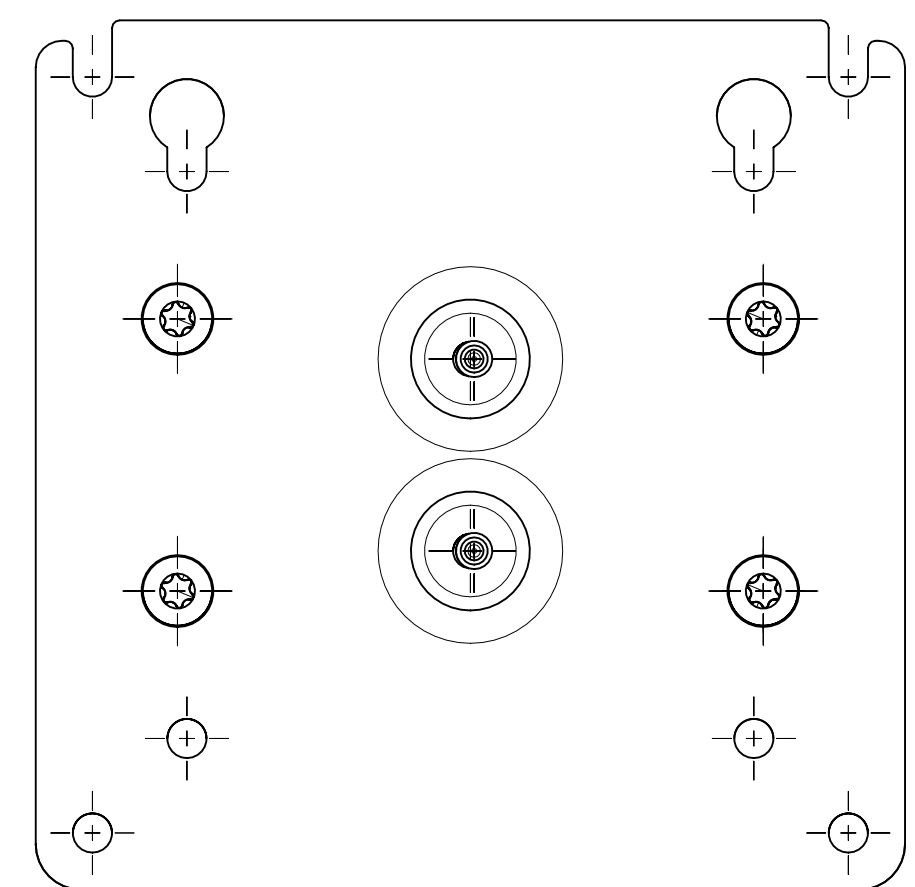
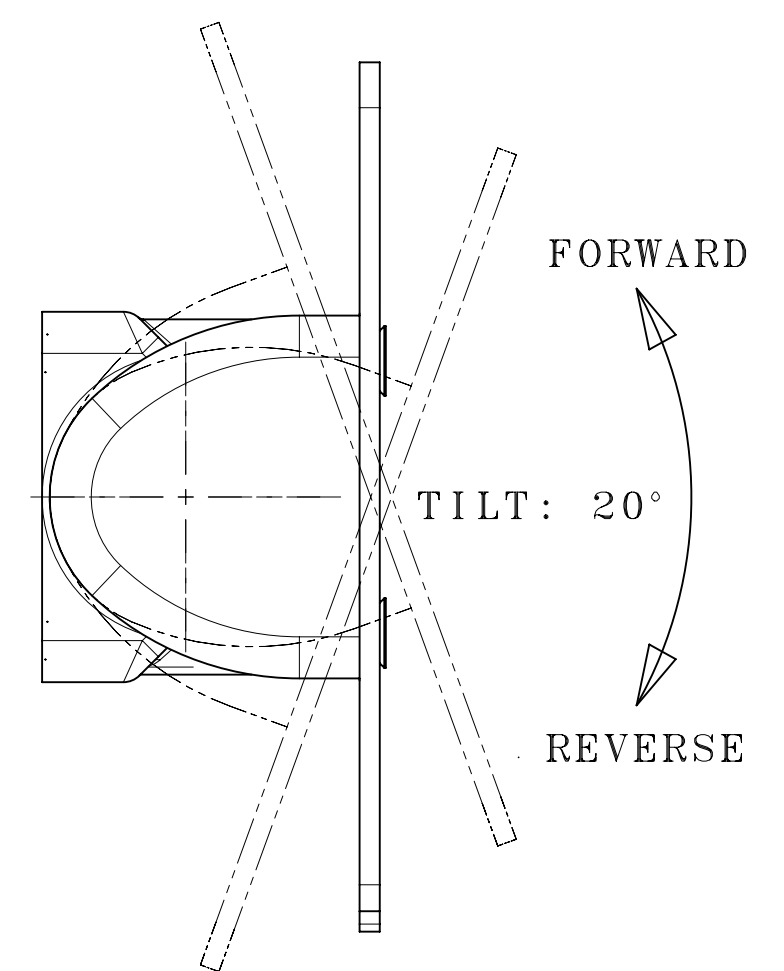


REVISION HISTORY			
REV	DATE	BY	DESCRIPTION
B	22NOV2017	SPD/VK	PRN: P2017-2754



ISOMETRIC VIEW
(SHOWN ASSEMBLED)



NOTES:

- TILT ASSEMBLY SYSTEM CYCLE TEST MOTION AS INDICATED:
FORWARD 20° AND 20° REARWARD DISPLAY TILT.

CYCLE TEST CONDUCTED TILT MOVEMENT TILT TEST USING
A 9.98 kg (22 lbm) TEST DISPLAY PANEL.
- TORQUE SPECIFICATIONS AT A CYCLE LIFE OF 20,000 AT 25% DUTY
CYCLE AT SPEEDS LESS THAN 15 RPM.

(NOTE: TILT FORWARD AND TILT REARWARD TORQUE MEASURED WITH THE
DISPLAY IN THE VERTICAL (0°) POSITION. THE TILT TORQUE AT
THE REARWARD TILT POSITION AND FORWARD TILT POSITION VARIES
WITH THE COUNTERBALANCE.
- PART NUMBERS: YY = 50 OR 76.

PART NUMBER (SEE NOTES)	LENGTH mm (INCH)	DISPLAY TILT FORWARD TORQUE ±35% N*m (lbf*in)	DISPLAY TILT REVERSE TORQUE ±20% N*m (lbf*in)	DEAD LOAD CAPACITY N (lbm)	WORKING LOAD RATING PER N (lbm)	CYCLE LIFE
AV-D30-5T101-YY	44.6 (1.76)	2.2 (19.5)	7.9 (70)	1845 (414.8)	70 (15.7)	20,000
AV-D30-5T102-YY	44.6 (1.76)	2.26 (20)	15.36 (136)		100 (22.5)	
AV-D30-5T103-YY	44.6 (1.76)	6.01 (53.2)	8.58 (76)		70 (15.7)	

	THIRD ANGLE PROJECTION		 CONNECT • CREATE • INNOVATE
	MILLIMETERS [IN]		
SURFACE AREA	TOLERANCES UNLESS OTHERWISE NOTED		DESCRIPTION
VOLUME	ALL DIMENSIONS WITHOUT TOLERANCES ARE FOR REFERENCE ONLY.		Hinge & Controlled Motion Device STANDARD TILT ASSEMBLY
PROPRIETARY ITEM EXCEPT FOR USES EXPRESSLY GRANTED IN WRITING, INFORMATION DISCLOSED HEREON IS CONFIDENTIAL AND ALL RIGHTS, PATENT AND OTHER RIGHTS, ARE RESERVED BY SOUTHCO, INC.	SIZE D	SYSTEM NX	DWG NO. TD-AV-D30-5T10X-J
	PER ASME Y14.5M-1994	DRAWN BY MJS/GEA	DATE 14MAR2012 SCALE 1:1 SHEET 1 OF 1