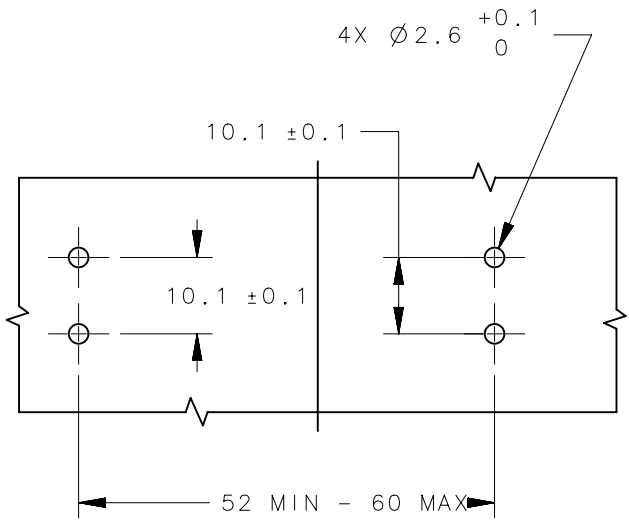
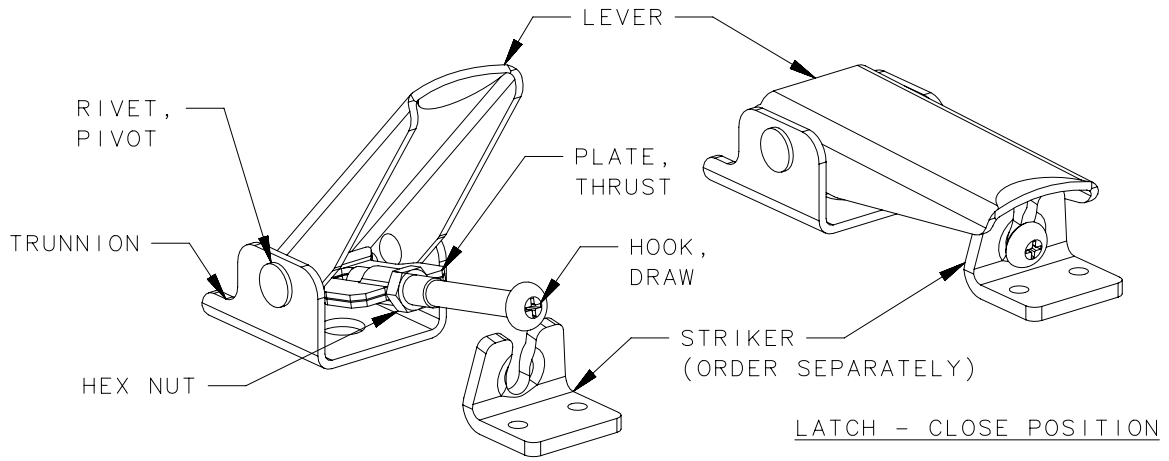


REVISION HISTORY			
REV	DATE	BY	DESCRIPTION
A	23JUL2014	JAJ/YGC	PRN: P2014-1466



PANEL PREPARATION

8		1	STRIKER	STEEL/STAINLESS STEEL	ORDER SEPARATELY
7		1	NUT	STEEL/STAINLESS STEEL	
6		1	TRUNNION	STEEL/STAINLESS STEEL	SUFFIX -07, -13 FOR STEEL AND -52 FOR STAINLESS STEEL
5		1	PLATE, THRUST	STEEL/STAINLESS STEEL	
4		2	PIVOT RIVET	STEEL/STAINLESS STEEL	
3		1	HOOK, DRAW	STEEL/STAINLESS STEEL	
2		1	PIN	STAINLESS STEEL	
1		1	LEVER	STEEL/STAINLESS STEEL	SUFFIX -07, -13 FOR STEEL AND -52 FOR STAINLESS STEEL
-	91-351-52	1	LATCH ASSEMBLY	-	
-	91-351-13	1	LATCH ASSEMBLY	-	
-	91-351-07	1	LATCH ASSEMBLY	-	
NO.	PART NUMBER	QTY	TYPE OF COMPONENT	MATERIAL	GENERAL NOTES

THIRD ANGLE PROJECTION				southco [®] CONNECT • CREATE • INNOVATE	
MILLIMETERS [IN]					
TOLERANCES UNLESS OTHERWISE NOTED		DESCRIPTION			
ALL DIMENSIONS WITHOUT TOLERANCES ARE FOR REFERENCE ONLY.		MINI ADJUSTABLE TOGGLE LATCH ASSEMBLY			
PROPRIETARY ITEM		SIZE	SYSTEM	DWG NO.	
EXCEPT FOR USES EXPRESSLY GRANTED IN WRITING, INFORMATION DISCLOSED HEREON IS CONFIDENTIAL AND ALL RIGHTS, PATENT AND OTHERWISE, ARE RESERVED BY SOUTHCO, INC.		A4	NX	J-91-351-XX	
PER ASME Y14.5M-1994		DRAWN BY	DATE	SCALE	SHEET
		JAJ/YGC	23JUL2014	1:1	1 OF 1