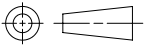
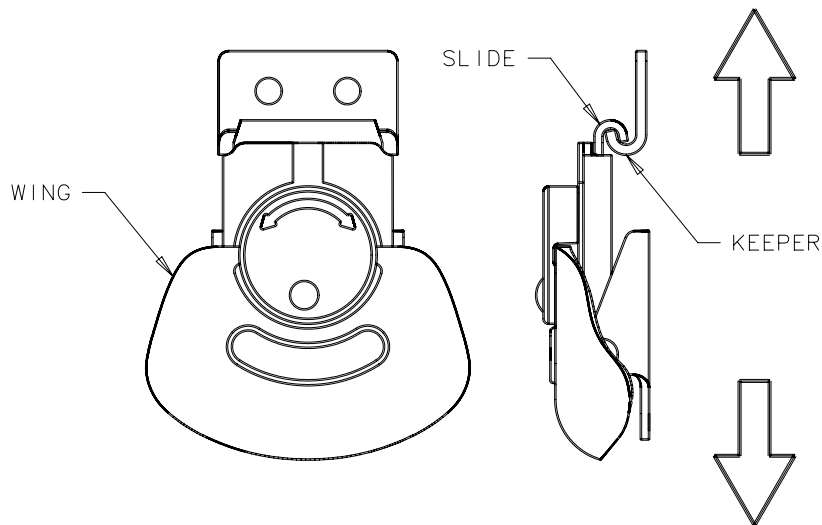


REV	DATE	DRAWN/CHKD	DESCRIPTION								
A	18JUL2003	MJS	UPDATE FORMAT							 THIRD ANGLE PROJECTION	A4 PAPER SIZE

SOUTHCO PERFORMANCE GUIDELINES

THE PERFORMANCE GUIDELINES SHOWN ON THIS PAGE ARE SUPPLIED AS A GENERAL GUIDE ONLY, AS CONDITIONS VARY WITH EACH APPLICATION AND METHOD OF INSTALLATION. STRENGTH DATA GIVEN IS FOR FAILURE OF THE PRODUCT OR FOR SUFFICIENT DEFORMATION TO MAKE PRODUCT INOPERABLE. NO SAFETY FACTOR HAS BEEN APPLIED IT IS RECOMMENDED THAT THE USER REQUEST A PRODUCT SAMPLE FOR TESTING TO DETERMINE THE SUITABILITY OF THE PRODUCT FOR THE PURPOSE INTENDED AND USER'S PARTICULAR APPLICATION.



PART NUMBER	WORKING LOAD (B)	AVERAGE ULTIMATE LOAD (C)	TORQUE TO FAIL (D)
K2-3001-51	845 N (190 lbs)	3730 N (835 lbs)	15 Nm (133 in. lbs)
K2-3001-89	1230 N (275 lbs)	2610 N (585 lbs)	
K2-3005-51	845 N (190 lbs)	3730 N (835 lbs)	
K2-3005-89	1230 N (275 lbs)	2610 N (585 lbs)	

- (A) CYCLE LIFE is 5,000 cycles.
- (B) WORKING LOAD is the maximum force that the product will withstand without affecting the operation or appearance of the product.
- (C) ULTIMATE LOAD causes failure of the product or sufficient deformation to make the product inoperable.
- (D) TORQUE TO FAIL is the torque that causes the assembly to fail. Applied to the wing in the operating position (vertical).
- (E) ASTM SALT FOG: K2-3001-89 & K2-3005-89 (Black, Steel): 50 hours.
K2-3001-51 & K2-3005-51 (Stainless Steel): 500 Hours.
- (F) UV TESTING of K2-3001-89 & K2-3005-89 (Black, Steel): 400 Hours.