



NO. 93 SLAM-ACTION PUSH-BUTTON LATCH
CORROSION-RESISTANT WITH IN LINE PULL TAB

DATE	DRAWN	CHKD	SCALE	DRAWING NUMBER
1/4/91	JAD		FULL	J-93-303

REV.	DATE	BY-CHKD	REVISIONS
A	4-19-91	ACZ	PRN-93-113
B	5-14-91	CRW	ADDED TOLERANCE TO MOUNTING HOLE
C	4 FEB 92	RES	PRN 93-127; LOCK PLUG WAS ZINC
D	9MAY93	JCK	M3 WAS 3.5mm AND PRN: 93-106A
E	14APR94	RDG	PRN: 93-144
F	21MAR95	RDG	PRN: 93-158
G	18APR95	KGS	PRN: 93-160
H	04 APR 09	IR	PRN: P2009-0435

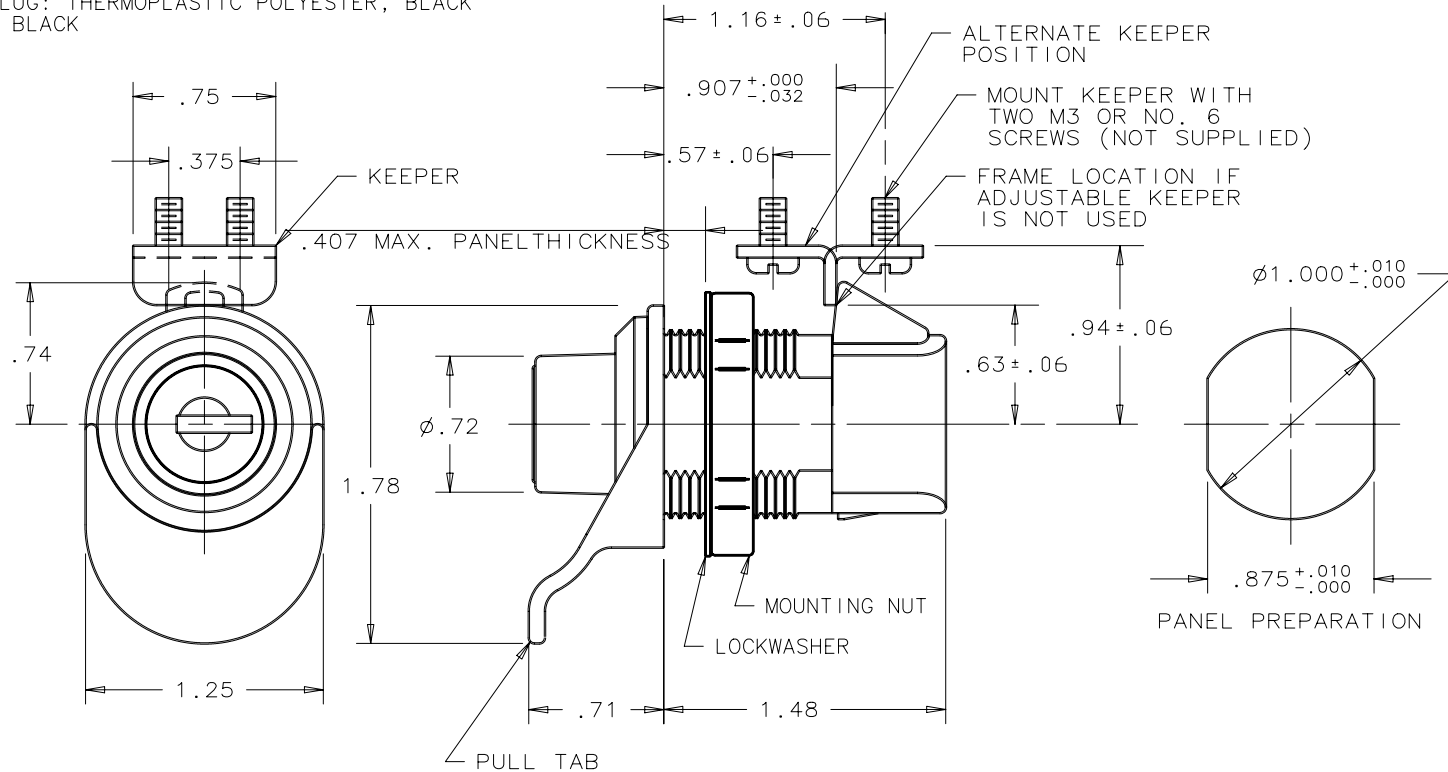
ASSEMBLY PART NUMBER 93-303

ASSEMBLY CONSISTS OF ONE LATCH SUB-ASSEMBLY WITH TWO KEYS, ONE PULL TAB AND HARDWARE, PACKAGED ONE COMPLETE ASSEMBLY PER BAG.

ASSEMBLY PART NUMBER 93-303-B

SAME AS ABOVE ASSEMBLY EXCEPT LATCH SUB-ASSEMBLY, PULL TAB AND HARDWARE ARE SHIPPED SEPARATELY.

MATERIAL AND FINISH
 LOCK PLUG: GLASS REINFORCED NYLON, BLACK
 KEEPER, CAM SPRING & LOCKWASHER: STAINLESS STEEL, PASSIVATED
 MOUNTING NUT & HOUSING: GLASS REINFORCED NYLON, BLACK
 PAWL SPRING: STAINLESS STEEL, NATURAL
 PULL TAB: NYLON, BLACK
 INTERNAL CAM: GLASS REINFORCED NYLON/SILICONE, BLACK
 KNOB & KNOB PLUG: THERMOPLASTIC POLYESTER, BLACK
 PAWL: ACETAL, BLACK



PULL TAB MAY BE INSTALLED
180° FROM POSITION SHOWN

PATENTED

PROPRIETARY ITEM - EXCEPT FOR USES EXPRESSLY GRANTED IN WRITING
 INFORMATION DISCLOSED HEREON IS CONFIDENTIAL AND ALL RIGHTS PATENT
 AND OTHERWISE ARE RESERVED BY SOUTHCO, INC.

DRAWING NUMBER
J-93-303