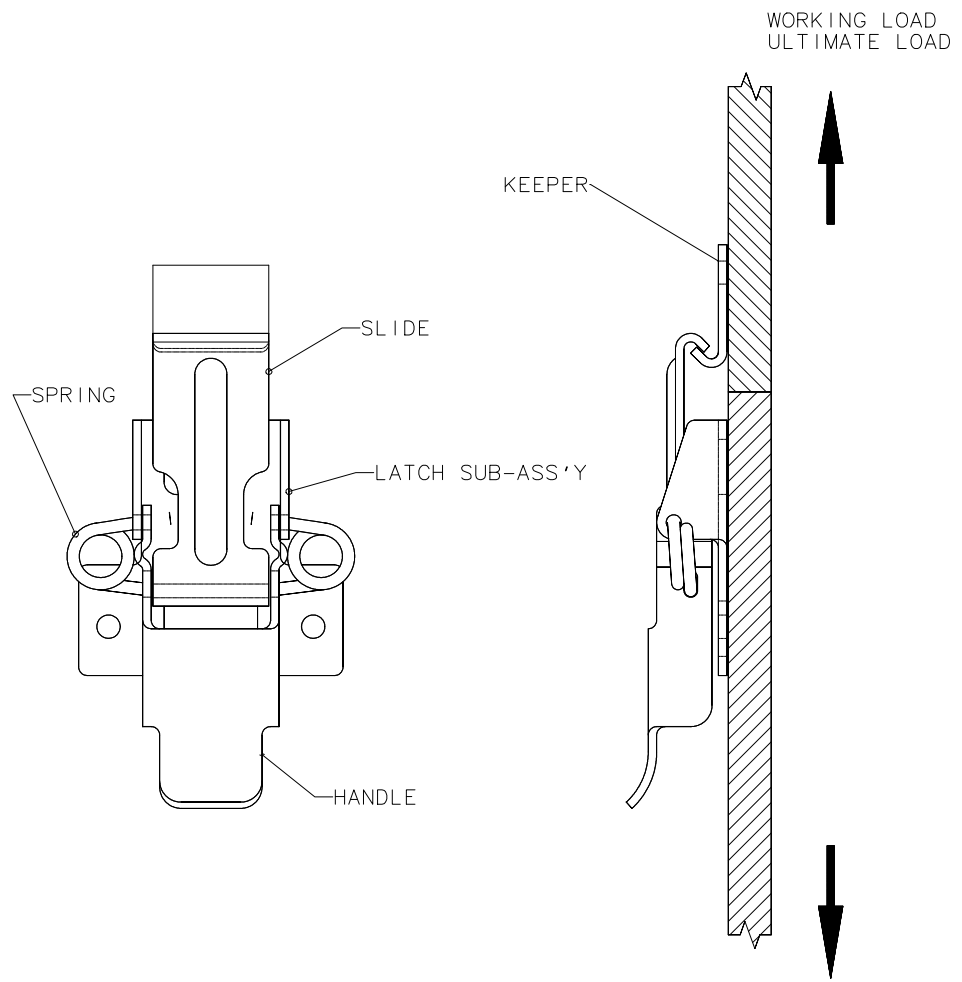


SOUTHCO PERFORMANCE GUIDELINES
THE PERFORMANCE GUIDELINES SHOWN ON THIS PAGE ARE SUPPLIED AS A GENERAL GUIDE ONLY, AS CONDITIONS VARY WITH EACH APPLICATION AND METHOD OF INSTALLATION. STRENGTH DATA GIVEN IS FOR FAILURE OF THE PRODUCT OR FOR SUFFICIENT DEFORMATION TO MAKE PRODUCT INOPERABLE. NO SAFETY FACTOR HAS BEEN APPLIED IT IS RECOMMENDED THAT THE USER REQUEST A PRODUCT SAMPLE FOR TESTING TO DETERMINE THE SUITABILITY OF THE PRODUCT FOR THE PURPOSE INTENDED AND USER'S PARTICULAR APPLICATION.



PART NUMBER	MAXIMUM WORKING LOAD	ULTIMATE LOAD
V4-0006-02 (STEEL)	1500 N. (335 LBS.)	3500 N. (786 LBS.)
V4-0006-52 (STAINLESS STEEL)	1448 N. (325 LBS.)	3800 N. (850 LBS.)

- ① WORKING LOAD -- is the maximum force that the product will withstand without affecting the operation or appearance of the product.
- ② ULTIMATE LOAD -- causes the failure of the product or sufficient deformation to make the product inoperable.