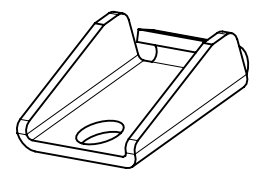
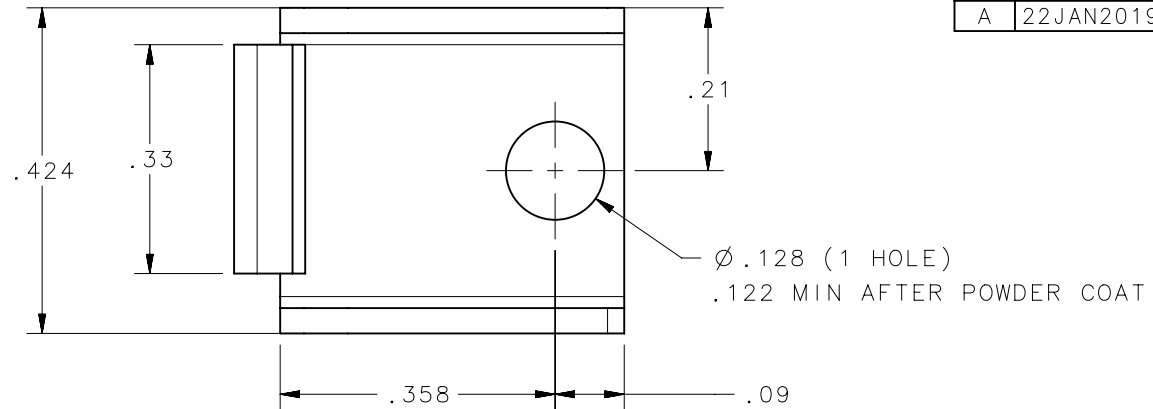
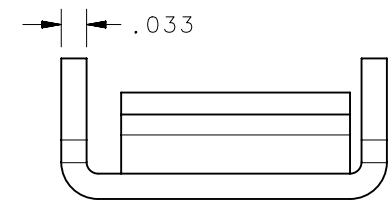
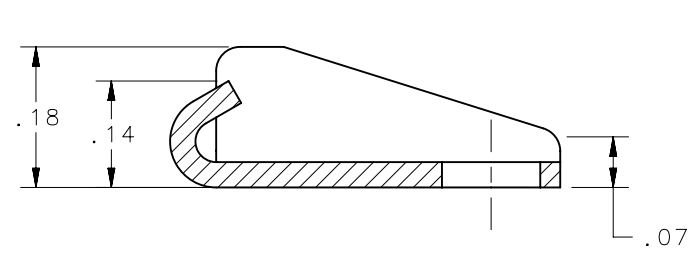


REVISION HISTORY			
REV	DATE	BY	DESCRIPTION
A	22JAN2019	CB1/DMS	PRN: P2019-0167



SCALE 2:1



SECTION A-A

97-37-104-24	KEEPER	STAINLESS STEEL	PASSIVATED	NONE
97-37-104-15	KEEPER	STEEL	SEE NOTE B	CASE HARDENED
97-57-104-11	KEEPER	STEEL	SEE NOTE A	CASE HARDENED
SOUTHCO PART NUMBER	TYPE OF COMPONENT	MATERIAL	FINISH	HEAT TREAT

THIRD ANGLE PROJECTION		 CONNECT • CREATE • INNOVATE		
INCHES [MM]				
TOLERANCES UNLESS OTHERWISE NOTED		DESCRIPTION NUMBER 97 KEEPER		
SURFACE AREA		SIZE A SYSTEM NX DWG NO. J-97-37-104		
VOLUME		DRAWN BY JGK DATE 08JUN1999 SCALE 4:1 SHEET 1 OF 1		
PROPRIETARY ITEM <small>EXCEPT FOR USES EXPRESSLY GRANTED IN WRITING, INFORMATION DISCLOSED HEREON IS CONFIDENTIAL AND ALL RIGHTS, PATENT AND OTHERWISE, ARE RESERVED BY SOUTHCO, INC.</small>		PER ASME Y14.5M-1994		

NOTES :  
 A. ZINC PLATE, PLUS BRIGHT CHROMATE DIP.  
 B. BLACK POWDER COAT.