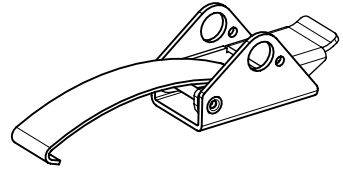
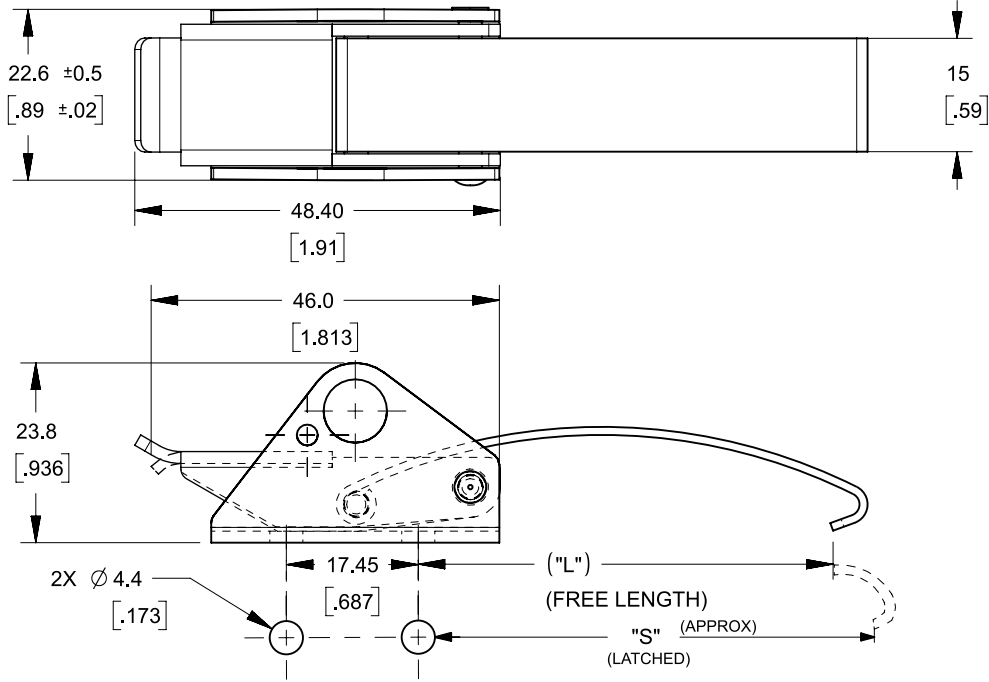


REVISION HISTORY			
REV	DATE	BY	DESCRIPTION
G	03FEB2023	SAK/DMS	PRN: P2023-0214



SCALE 1:2

LEVER STYLE	SPRING RATING	SPRING LENGTH	PART NUMBER	L	S
ACTUATING TAB UP	LIGHT DUTY	SHORT	97-50-310-XX	(29.4) [1.15]	(31.8) [1.25]
		MEDIUM	97-50-320-XX	(42.1) [1.65]	(44.4) [1.75]
		LONG	97-50-330-12	(54.8) [2.15]	(57.1) [2.25]
	HEAVY DUTY	SHORT	97-50-350-11	(29.4) [1.15]	(31.8) [1.25]
		MEDIUM	97-50-360-11	(42.1) [1.65]	(44.4) [1.75]
		LONG	97-50-370-11	(54.8) [2.15]	(57.1) [2.25]
ACTUATING TAB DOWN	LIGHT DUTY	SHORT	97-50-410-XX	(29.4) [1.15]	(31.8) [1.25]
		MEDIUM	97-50-420-XX	(42.1) [1.65]	(44.4) [1.75]
		LONG	97-50-430-12	(54.8) [2.15]	(57.1) [2.25]
	HEAVY DUTY	SHORT	97-50-450-11	(29.4) [1.15]	(31.8) [1.25]
		MEDIUM	97-50-460-11	(42.1) [1.65]	(44.4) [1.75]
		LONG	97-50-470-11	(54.8) [2.15]	(57.1) [2.25]

NOTES:

- A. "XX" PART NO SUFFIX - INDICATES MATERIAL & FINISH.
- 11 - LEVER, BASE AND SPRING - STEEL; ZINC PLATE, BRIGHT.- DIN & RIVET - STAINLESS STEEL, NATURAL.
- 12 - LEVER, BASE AND SPRING - STAINLESS STEEL PASSIVATE.- DIN & RIVET - STAINLESS STEEL, NATURAL

CPB NUMBER Standard	THIRD ANGLE PROJECTION				
	MILLIMETERS [IN]				
SURFACE AREA	TOLERANCES UNLESS OTHERWISE NOTED	DESCRIPTION NO 97 DRAW CATCH - MOUNTING SPECIFICATIONS			
VOLUME	ALL DIMENSIONS WITHOUT TOLERANCES ARE FOR REFERENCE ONLY.	SIZE A4	SYSTEM NX	DWG NO. J-97-50-1	
PROPRIETARY ITEM EXCEPT FOR USES EXPRESSLY GRANTED IN WRITING, INFORMATION DISCLOSED HEREON IS CONFIDENTIAL AND ALL RIGHTS, PATENT AND OTHERWISE, ARE RESERVED BY SOUTHCO, INC.	PER ASME Y14.5M-1994	DRAWN BY ACZ	DATE 29OCT1974	SCALE 1:1	SHEET 1 OF 1