

REVISION HISTORY			
REV	DATE	BY	DESCRIPTION
F	12JAN2023	SAK/DMS	PRN: P2023-0069

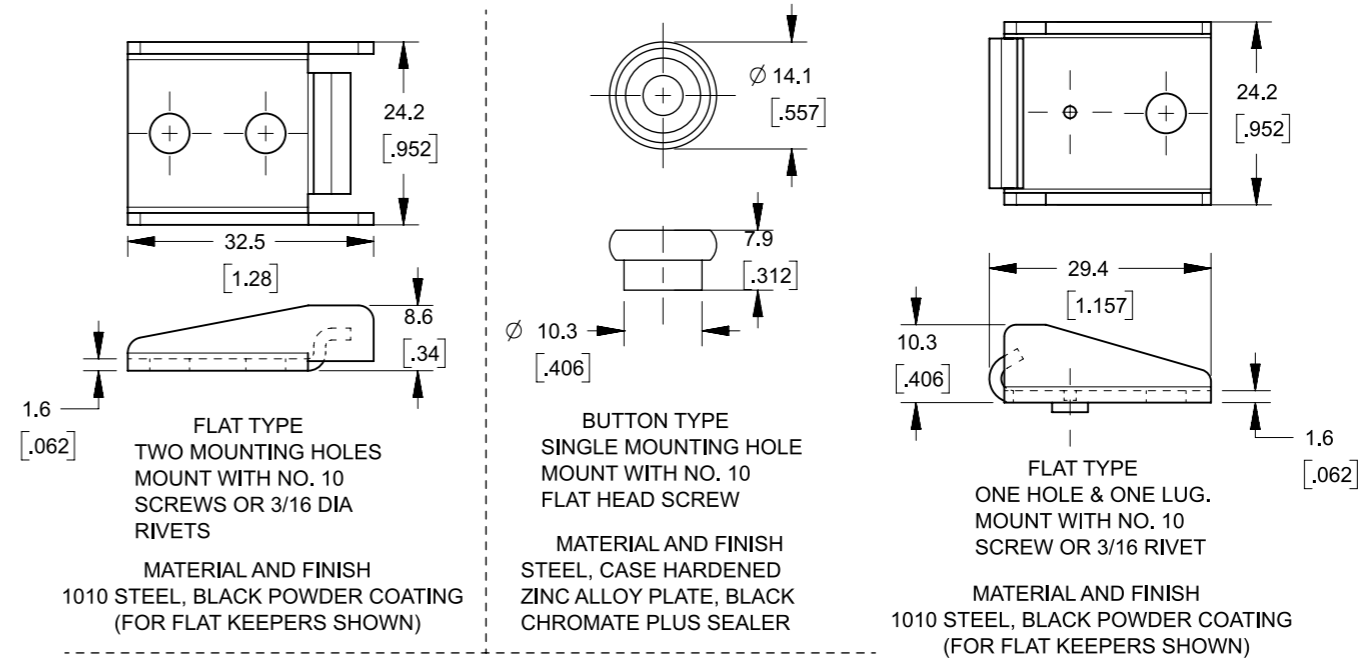
LATCH BODY STYLE	ASSEMBLY PART NUMBERS- ACCORDING TO KEEPER STYLE			
	WITH KEEPER STYLE "C"		WITH KEEPER STYLE "E"	LATCH ONLY (NO KEEPER)
	WITH 2 MOUNTING HOLES	BUTTON TYPE (SINGLE HOLE)	ONE MOUNTING HOLE & ONE LUG	
STANDARD	97-60-121-15	97-60-123-15	97-60-124-15	97-60-120-15
WITH SECURITY FEATURES	97-60-321-15	97-60-323-15	97-60-324-15	97-60-320-15

KEEPERS

KEEPERS ARE AVAILABLE WITH CHOICE OF MOUNTING VARIATIONS

KEEPERS STYLE "C" - KEEPER IS CONCEALED (COVERED BY SPRING) WHEN LATCHED.

KEEPER STYLE "E" - KEEPER IS EXPOSED (BEYOND END OF SPRING) WHEN LATCHED

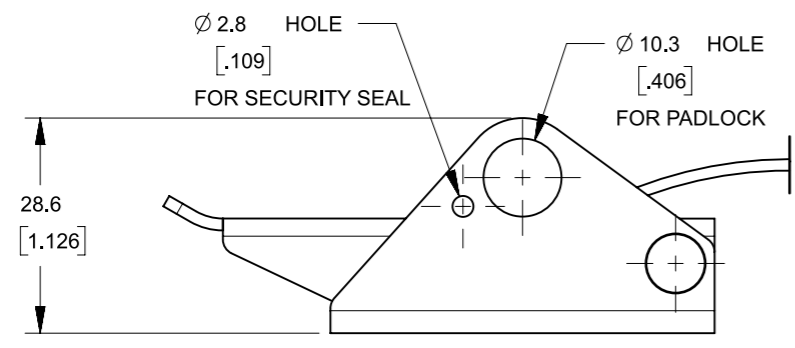
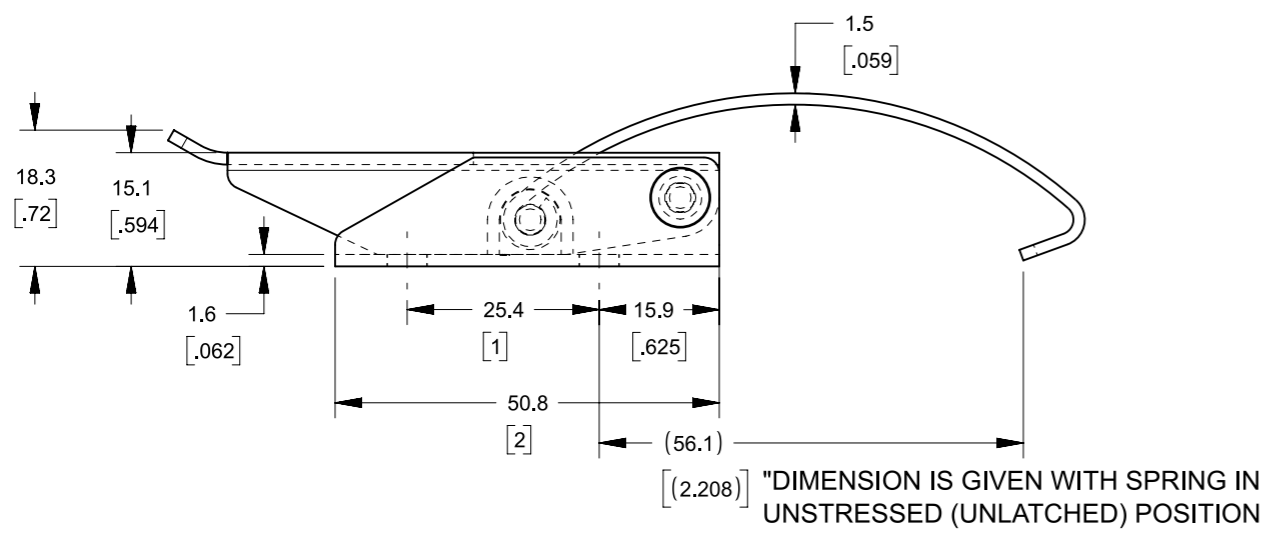
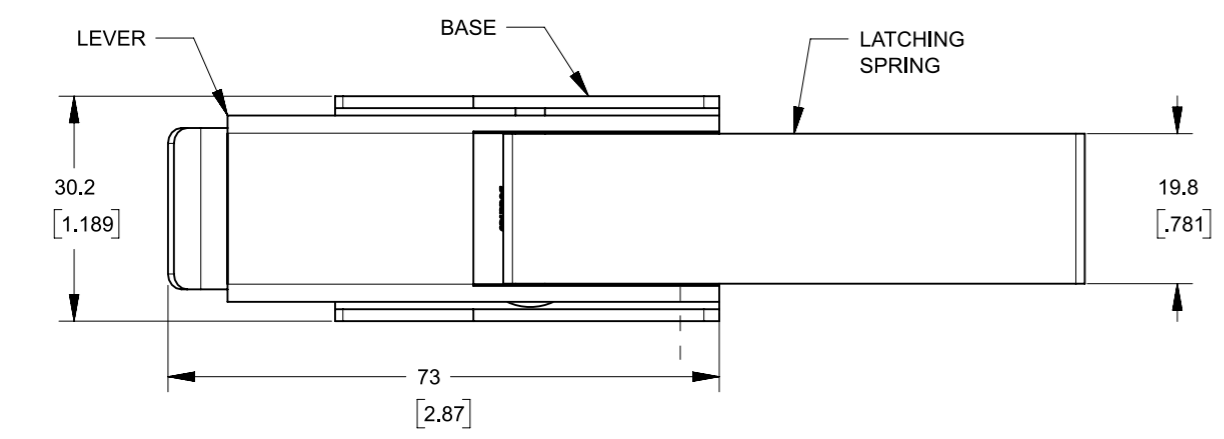
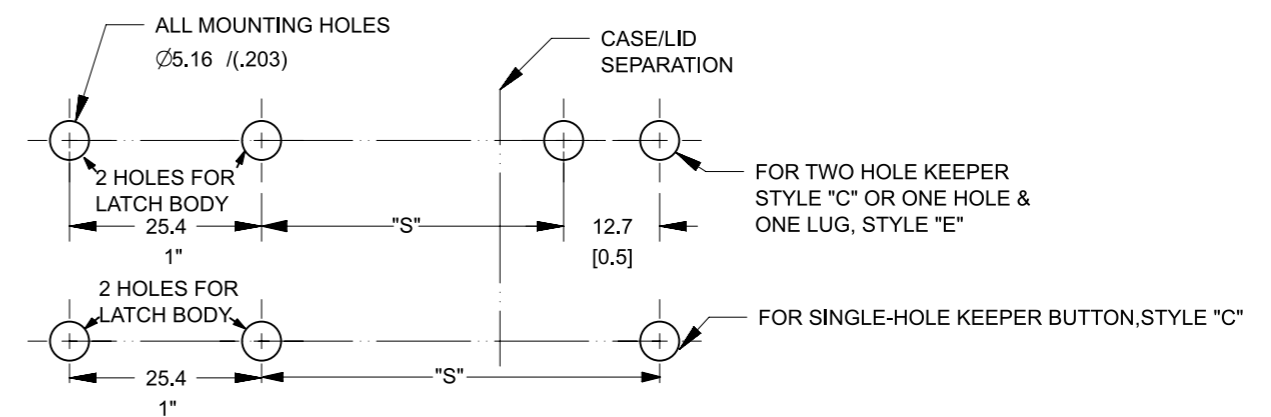


PANEL PREPARATION AND INSTALLATION

THE TABLE BELOW SHOWS "S" DIMENSION FOR EACH KEEPER STYLE

THE LOCATION OF LATCH ASSEMBLY IN RELATION TO THE SEPARATION LINE BETWEEN YOUR CASE AND LID SHOULD BE SELECTED TO SUIT YOUR REQUIREMENTS

DIMENSION "S" ACCORDING TO KEEPER STYLE		
KEEPER STYLE "C"		KEEPER STYLE "E"
FLAT TYPE TWO MOUNTING HOLES	BUTTON TYPE SINGLE MOUNTING HOLE	FLAT TYPE ONE HOLE & ONE LUG
39.7(1.56)	57.2(2.25)	69.9(2.75)



LATCH BODY WITH SECURITY FEATURES
DIMENSIONALLY IDENTICAL WITH STANDARD LATCH BODY (LEFT) EXCEPT AS SHOWN

MATERIAL AND FINISH
LEVER AND BASE: STEEL BLACK POWDER COATING
LATCHING SPRING: SPRING STEEL, BLACK POWDER COATING
PINS: STAINLESS STEEL, BLACK POWDER COATING

NOTES:
1. REFER TO 3D MODEL FOR ANY DIMENSIONAL INFORMATION NOT LISTED.

CPB NUMBER	STANDARD	THIRD ANGLE PROJECTION	southco CONNECT • CREATE • INNOVATE			
SURFACE AREA		MILLIMETERS [IN]				
VOLUME		TOLERANCES UNLESS OTHERWISE NOTED	DESCRIPTION 97 DRAW LATCH - 60 SERIES			
PROPRIETARY ITEM		ALL DIMENSIONS WITHOUT TOLERANCES ARE FOR REFERENCE ONLY.	SIZE A3	SYSTEM NX	DWG NO. J-97-60-15	
EXCEPT FOR USES EXPRESSLY GRANTED IN WRITING, INFORMATION DISCLOSED HEREON IS CONFIDENTIAL AND ALL RIGHTS, PATENT AND OTHERWISE, ARE RESERVED BY SOUTHCO, INC.		PER ASME Y14.5M-1994	DRAWN BY EGB	DATE 11DEC1984	SCALE 1:1	SHEET 1 OF 1