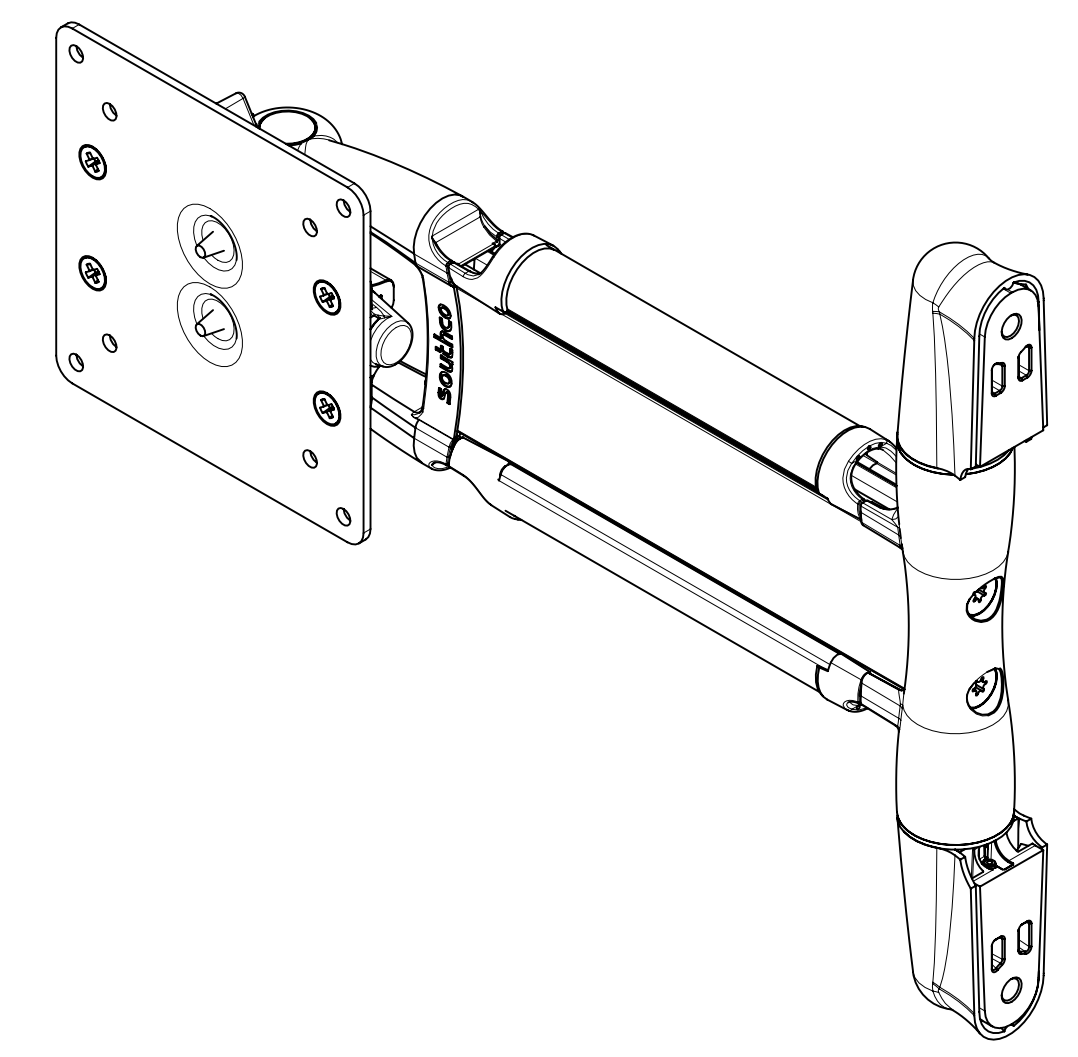
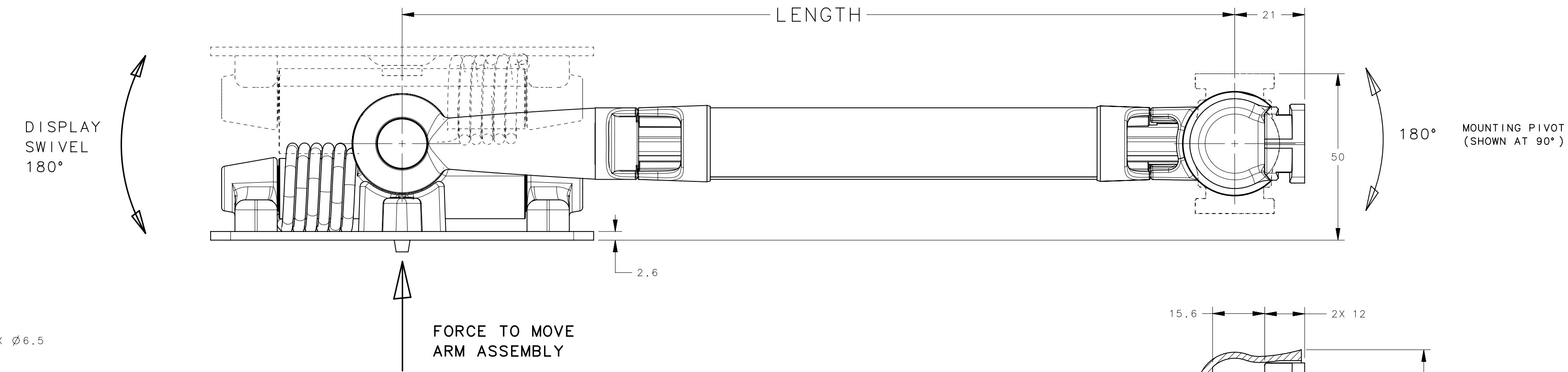
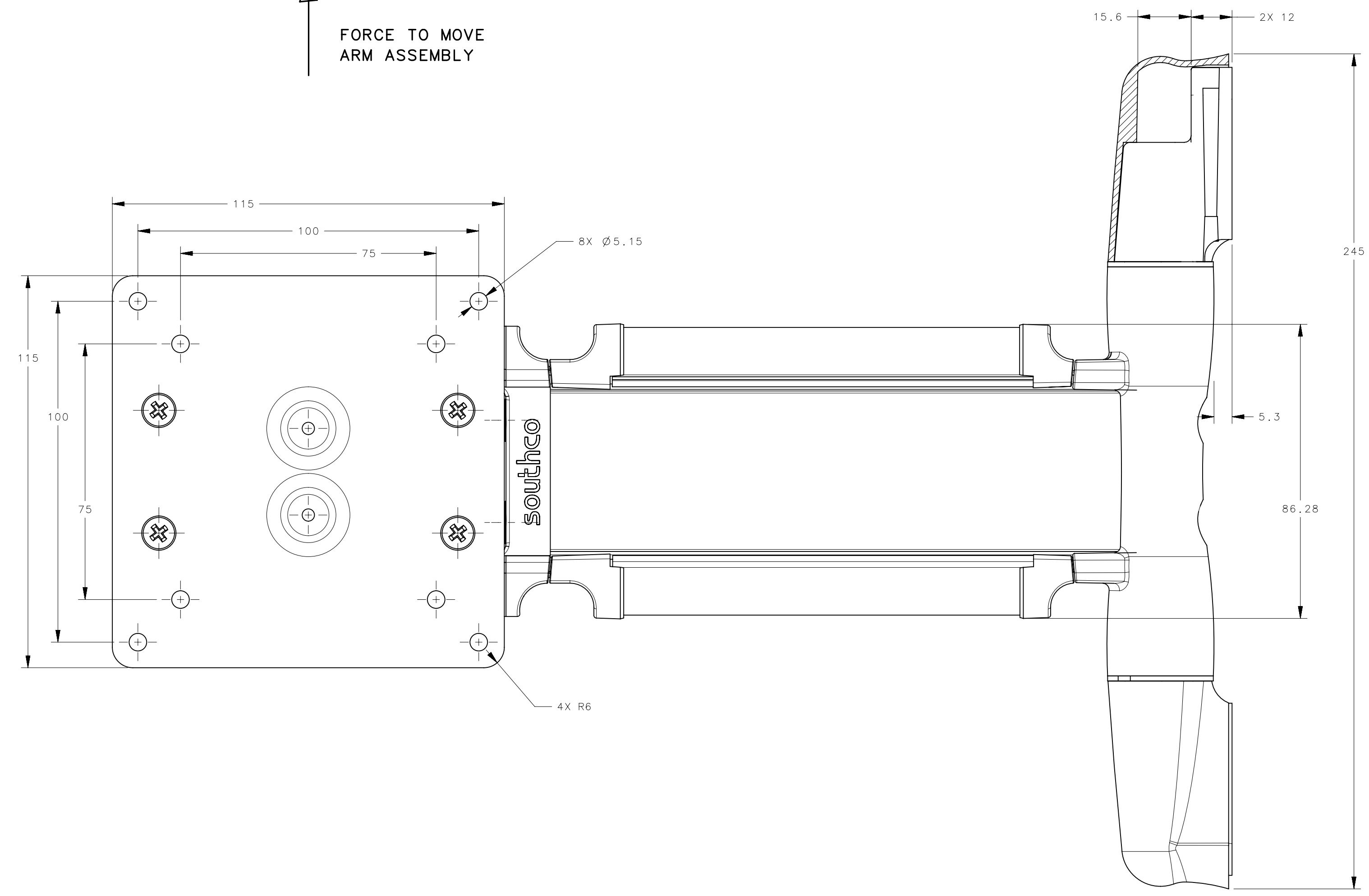
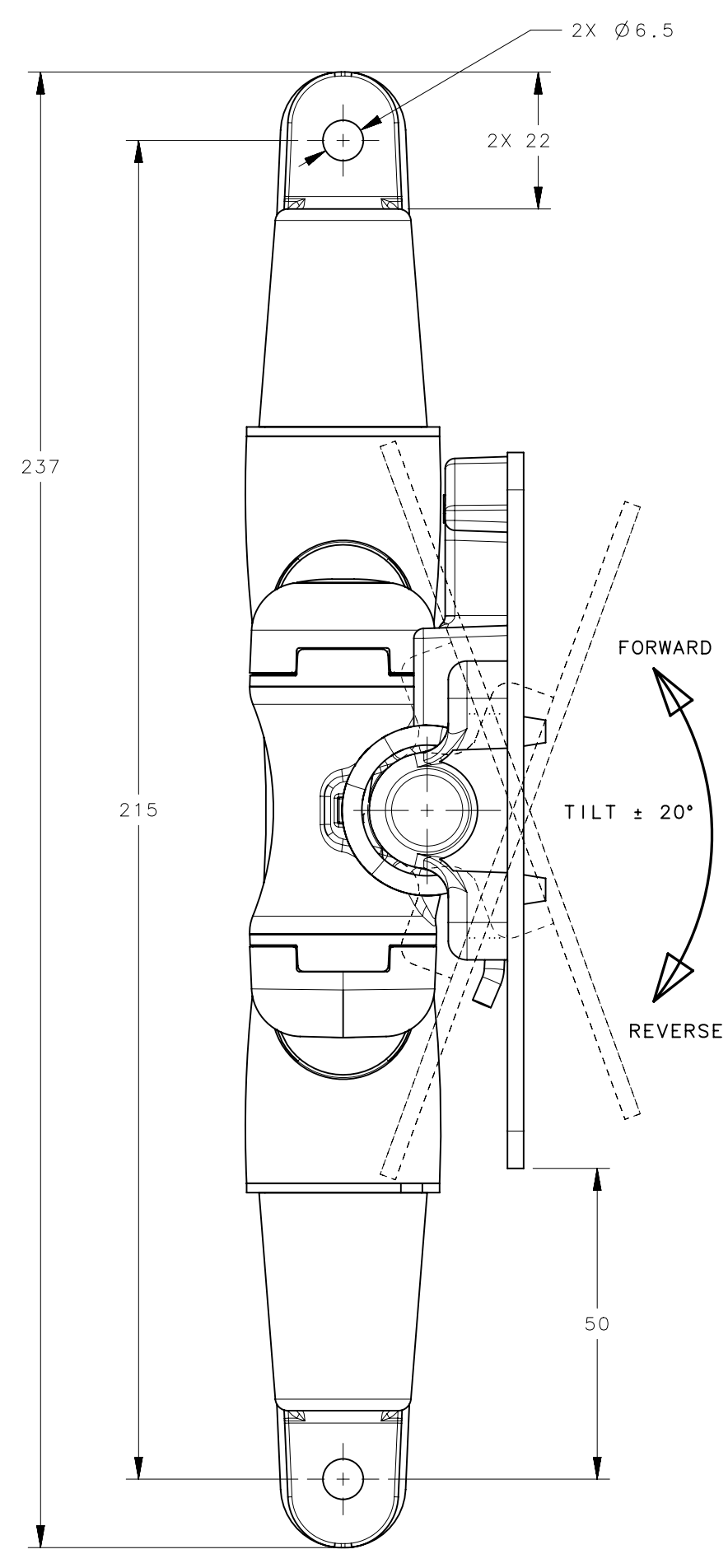


REVISION HISTORY			
REV	DATE	BY	DESCRIPTION
C	07OCT2009	GEA	PRN: P2009-1207



ISOMETRIC VIEW
(SHOWN ASSEMBLED)



NOTES:

- FINISH: POWDERCOAT COLOR EXTERIOR SURFACES: CLASS "C" PER SOUTHCO SPECIFICATION S-121-03.
- PART SHOWN IN ASSEMBLED POSITION. COVERS SHIPPED IN SEPARATE POLY BAG WITH INSTALLATION INSTRUCTIONS, ASSEMBLY PACKAGED 1 PER CONTAINER.
- MOUNTING ARM SYSTEM AXIS MOTION AS INDICATED:
FORWARD 20° AND 20° REARWARD DISPLAY TILT
180° DISPLAY HORIZONTAL SWIVEL
180° ARM HORIZONTAL ARM PIVOT
- TORQUE SPECIFICATIONS AT A CYCLE LIFE OF 20,000 AT 25% DUTY CYCLE AT SPEEDS LESS THAN 15 RPM:

SWIVEL TORQUE TOLERANCE: +35%/-20%
TILT TORQUE TOLERANCE: ±20%
WALL PIVOT FORCE TOLERANCE: ±20%

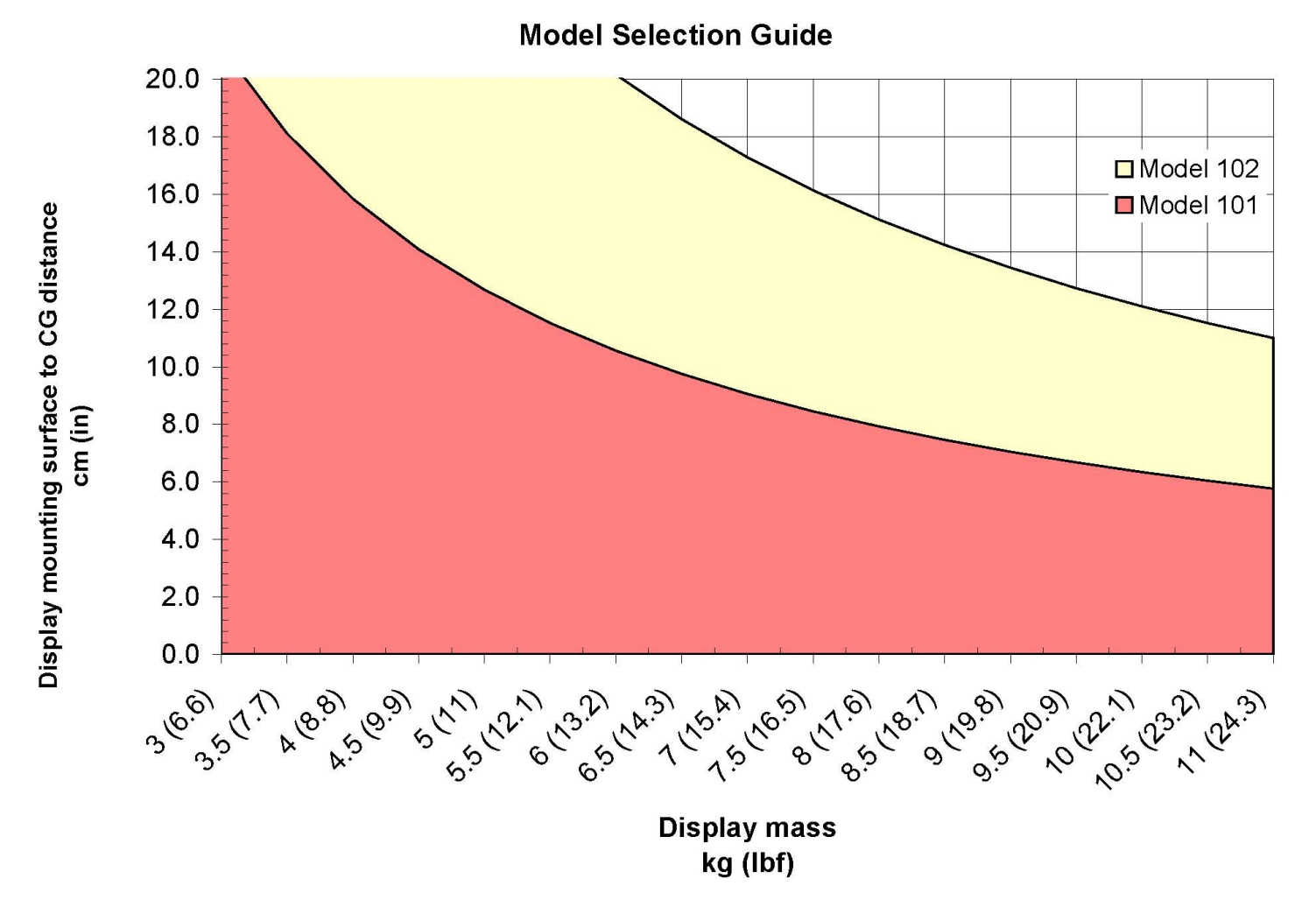
(NOTE: TILT FORWARD AND TILT REARWARD TORQUE MEASURED WITH THE DISPLAY IN THE VERTICAL (0°) POSITION. THE TILT TORQUE AT THE REARWARD TILT POSITION AND FORWARD TILT POSITION VARIES WITH THE COUNTERBALANCE.)

SEE TABLE FOR DETAIL OF ACTUAL TORQUE AND FORCE SPECIFICATIONS

THE BRACKET SYSTEM SHALL WITHSTAND 20,000 CYCLES FOR THE TILT AND SWIVEL FUNCTION AND 20,000 CYCLES IN THE PIVOT FUNCTION WHILE MAINTAINING TORQUES SPECIFIED ABOVE.

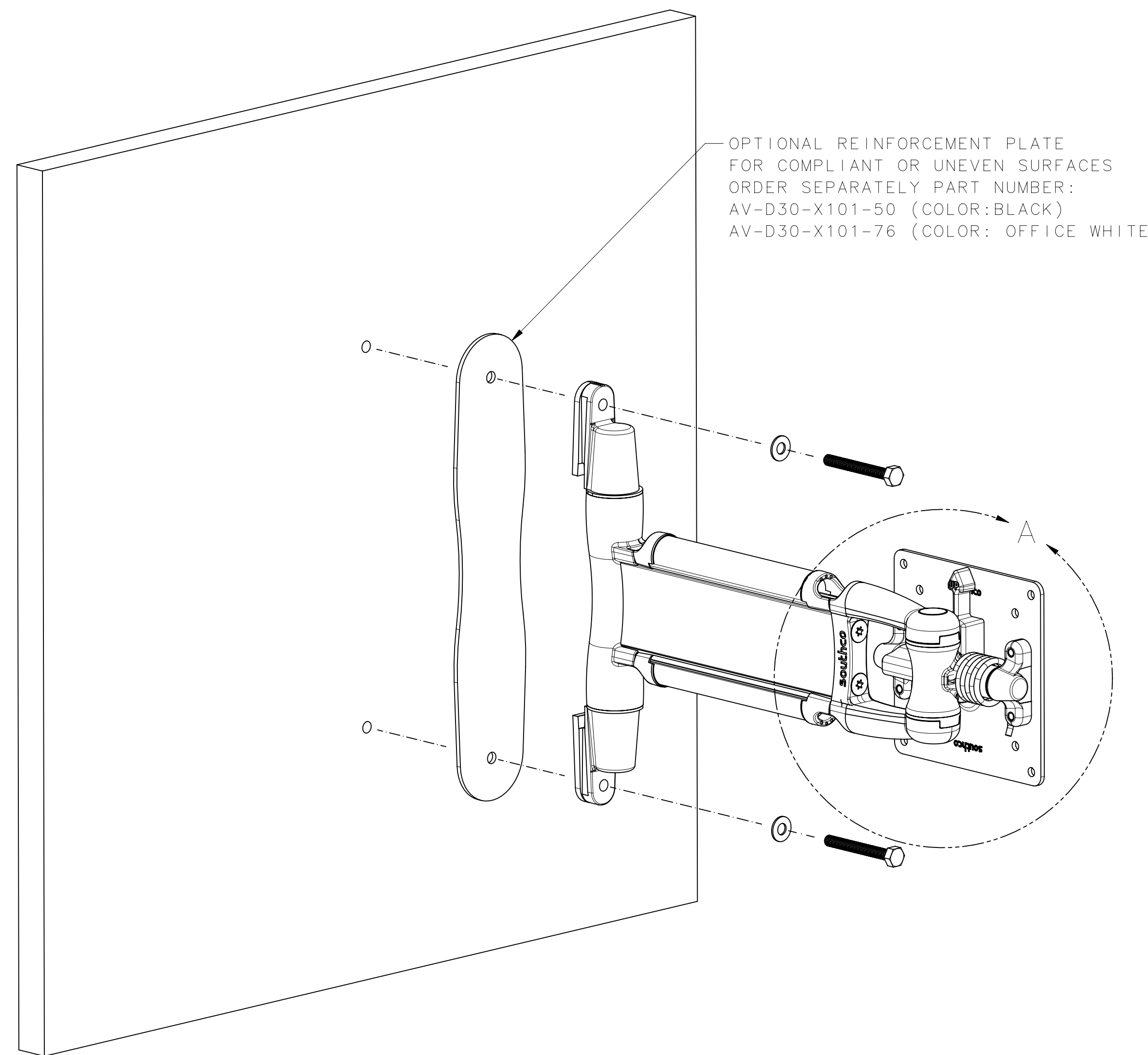
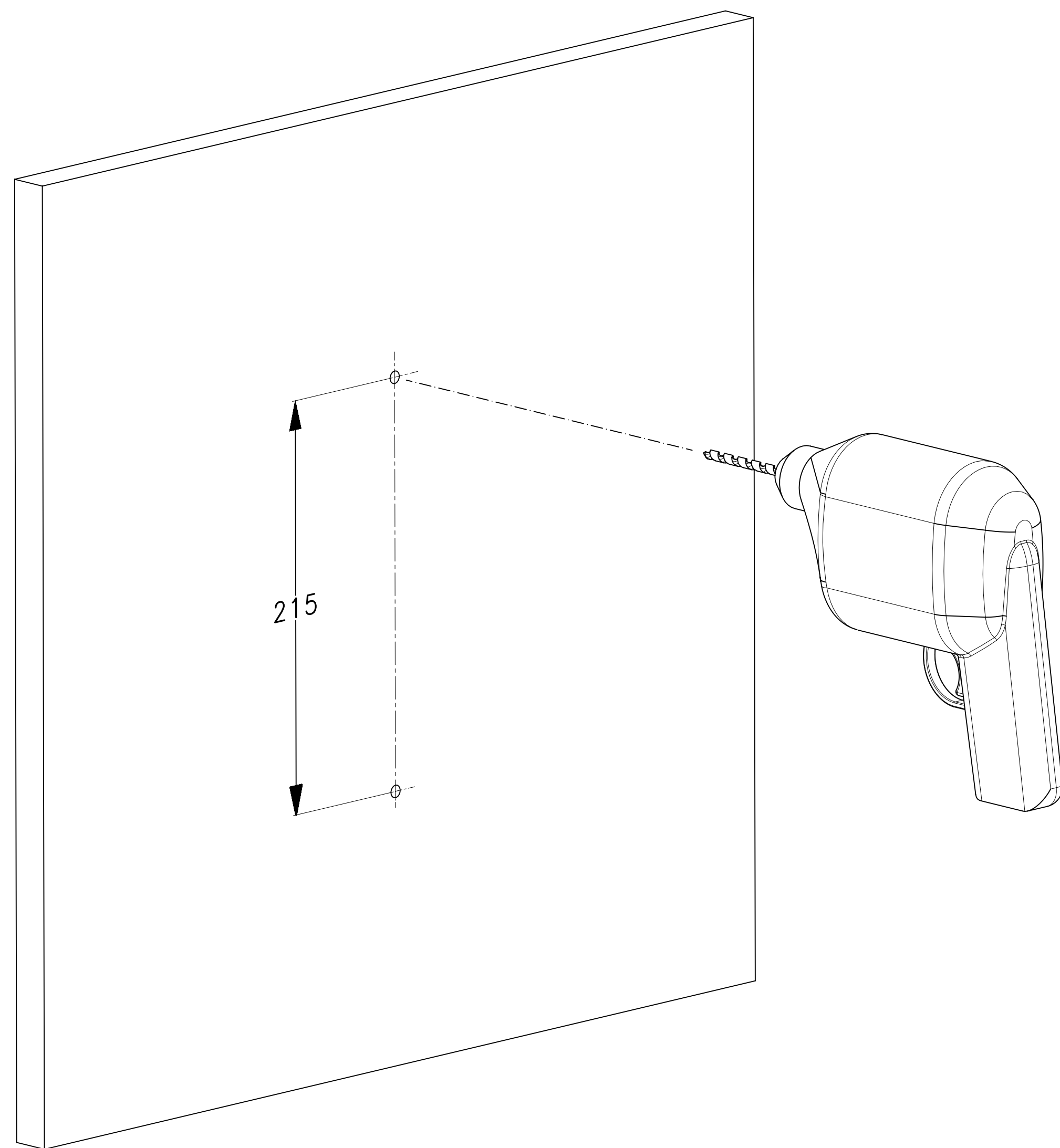
- FOR DETAILED INSTALLATION INSTRUCTIONS, CONSULT THE SOUTHCO DYNAMIC MONITOR ARM INSTALLATION GUIDE (SOUTHCO DRAWING J-AV-D30-25A101-M).

PART NUMBER	LENGTH mm (inch)	MAXIMUM DISPLAY WEIGHT kg (lbm)	REARWARD TILT TORQUE N*m (lbf*in)	FORWARD TILT TORQUE N*m (lbf*in)	SWIVEL SYMMETRIC TORQUE N*m (lbf*in)	FORCE TO MOVE ARM ASSEMBLY N (lbf)	COLOR
AV-D30-15A101-50	150 (5.91)	7.48 (16.5)	7.90 (70)	1.13 (10)	2.26 (20)	22.2 (5)	BLACK
AV-D30-15A101-76	150 (5.91)	7.48 (16.5)	7.90 (70)	1.13 (10)	2.26 (20)	22.2 (5)	OFFICE WHITE
AV-D30-25A101-50	250 (9.84)	7.48 (16.5)	7.90 (70)	1.13 (10)	2.26 (20)	22.2 (5)	BLACK
AV-D30-25A101-76	250 (9.84)	7.48 (16.5)	7.90 (70)	1.13 (10)	2.26 (20)	22.2 (5)	OFFICE WHITE
AV-D30-35A101-50	350 (13.78)	7.48 (16.5)	7.90 (70)	1.13 (10)	2.26 (20)	22.2 (5)	BLACK
AV-D30-35A101-76	350 (13.78)	7.48 (16.5)	7.90 (70)	1.13 (10)	2.26 (20)	22.2 (5)	OFFICE WHITE
AV-D30-45A101-50	450 (17.72)	7.48 (16.5)	7.90 (70)	1.13 (10)	2.26 (20)	22.2 (5)	BLACK
AV-D30-45A101-76	450 (17.72)	7.48 (16.5)	7.90 (70)	1.13 (10)	2.26 (20)	22.2 (5)	OFFICE WHITE
AV-D30-15A102-50	150 (5.91)	14.9 (33)	15.36 (136)	2.26 (20)	3.39 (30)	33.8 (7.6)	BLACK
AV-D30-15A102-76	150 (5.91)	14.9 (33)	15.36 (136)	2.26 (20)	3.39 (30)	33.8 (7.6)	OFFICE WHITE
AV-D30-25A102-50	250 (9.84)	14.9 (33)	15.36 (136)	2.26 (20)	3.39 (30)	33.8 (7.6)	BLACK
AV-D30-25A102-76	250 (9.84)	14.9 (33)	15.36 (136)	2.26 (20)	3.39 (30)	33.8 (7.6)	OFFICE WHITE
AV-D30-35A102-50	350 (13.78)	14.9 (33)	15.36 (136)	2.26 (20)	3.39 (30)	33.8 (7.6)	BLACK
AV-D30-35A102-76	350 (13.78)	14.9 (33)	15.36 (136)	2.26 (20)	3.39 (30)	33.8 (7.6)	OFFICE WHITE
AV-D30-45A102-50	450 (17.72)	14.9 (33)	15.36 (136)	2.26 (20)	3.39 (30)	33.8 (7.6)	BLACK
AV-D30-45A102-76	450 (17.72)	14.9 (33)	15.36 (136)	2.26 (20)	3.39 (30)	33.8 (7.6)	OFFICE WHITE

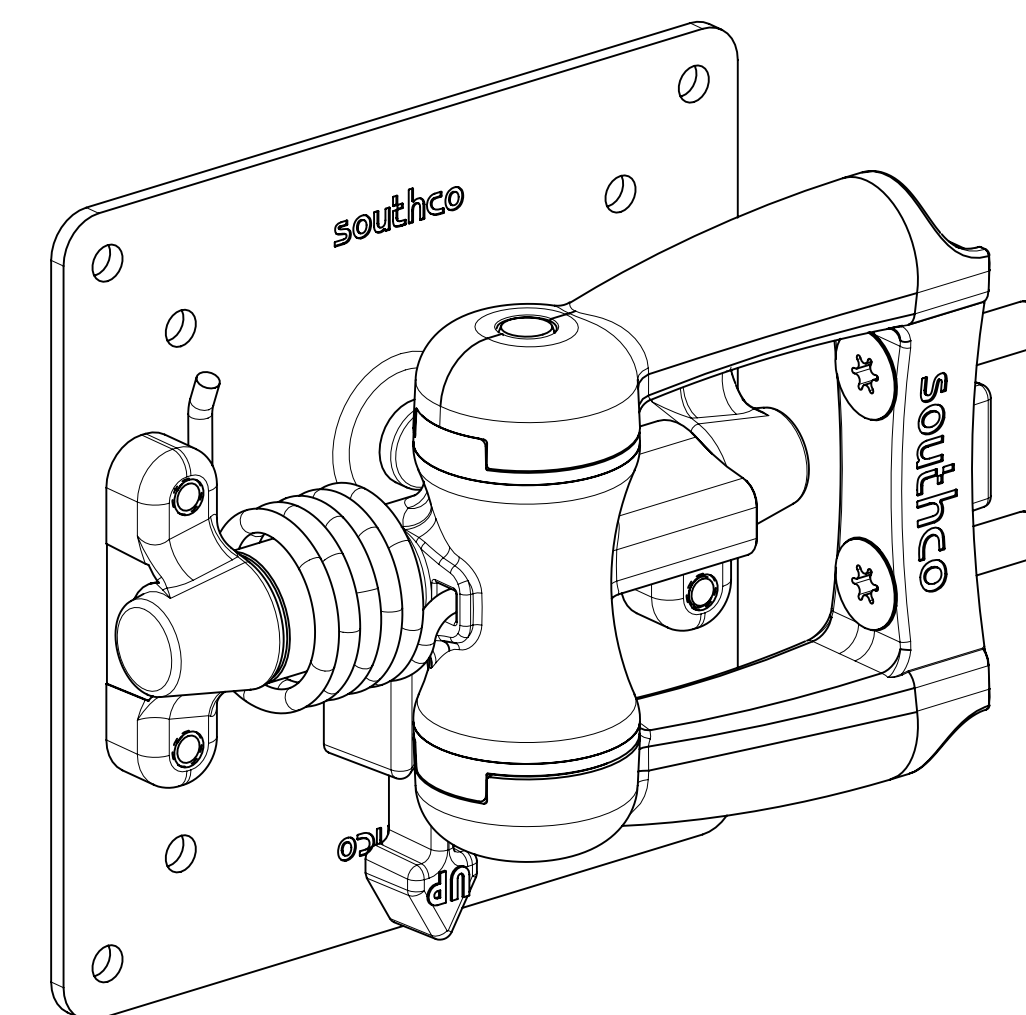


THIRD ANGLE PROJECTION		MILLIMETERS [IN]		TOLERANCES UNLESS OTHERWISE NOTED	
SURFACE AREA		XXXXXmm ²		ALL DIMENSIONS WITHOUT TOLERANCES ARE FOR REFERENCE ONLY.	
VOLUME		XXXXXmm ³		PROPRIETARY ITEM	
EXCEPT FOR USES EXPRESSLY GRANTED IN WRITING, INFORMATION DISCLOSED HEREON IS CONFIDENTIAL AND ALL RIGHTS, PATENT AND OTHERWISE, ARE RESERVED BY SOUTHCO, INC.		PER ASME Y14.5M-1994		DRAWN BY GEA DATE 16MAR2009 SCALE 1:1 SHEET 1 OF 5	
southco® CONNECT · CREATE · INNOVATE		DESCRIPTION Hinge & Controlled Motion Device ARM ASSEMBLY		SIZE SYSTEM D NX DWG NO. J-AV-D30-25A101	

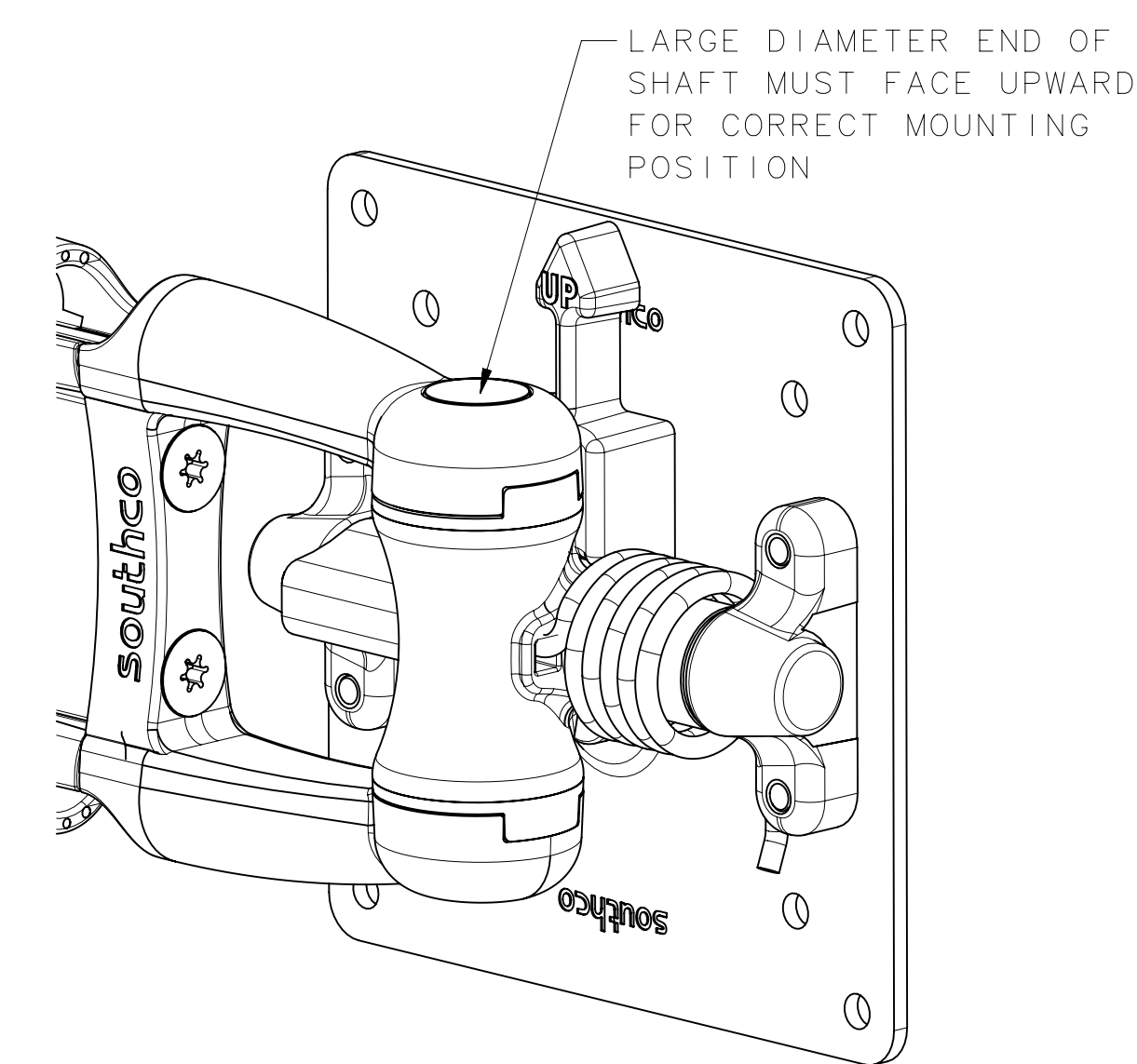
REVISION HISTORY			
REV	DATE	BY	DESCRIPTION
C	11SEP2009	GEA	PRN: P2009-1207



INCORRECT MOUNTING



CORRECT MOUNTING



DETAIL A
SCALE 1:1

STEP 1

1. DETERMINE DESIRED MOUNTING LOCATION. PLEASE CONSIDER ALL OBSTACLES THROUGHOUT THE ARMS RANGE OF MOTION WHEN SELECTING THE MOUNTING LOCATION.
2. MARK UPPER AND LOWER MOUNTING HOLES. FOR IDEAL HOLE LOCATION, MARK UPPER HOLE FIRST THEN USE A PLUMB LINE OR LINE LEVEL TO ENSURE VERTICAL ORIENTATION BETWEEN THE UPPER AND LOWER HOLES.

STEP 2

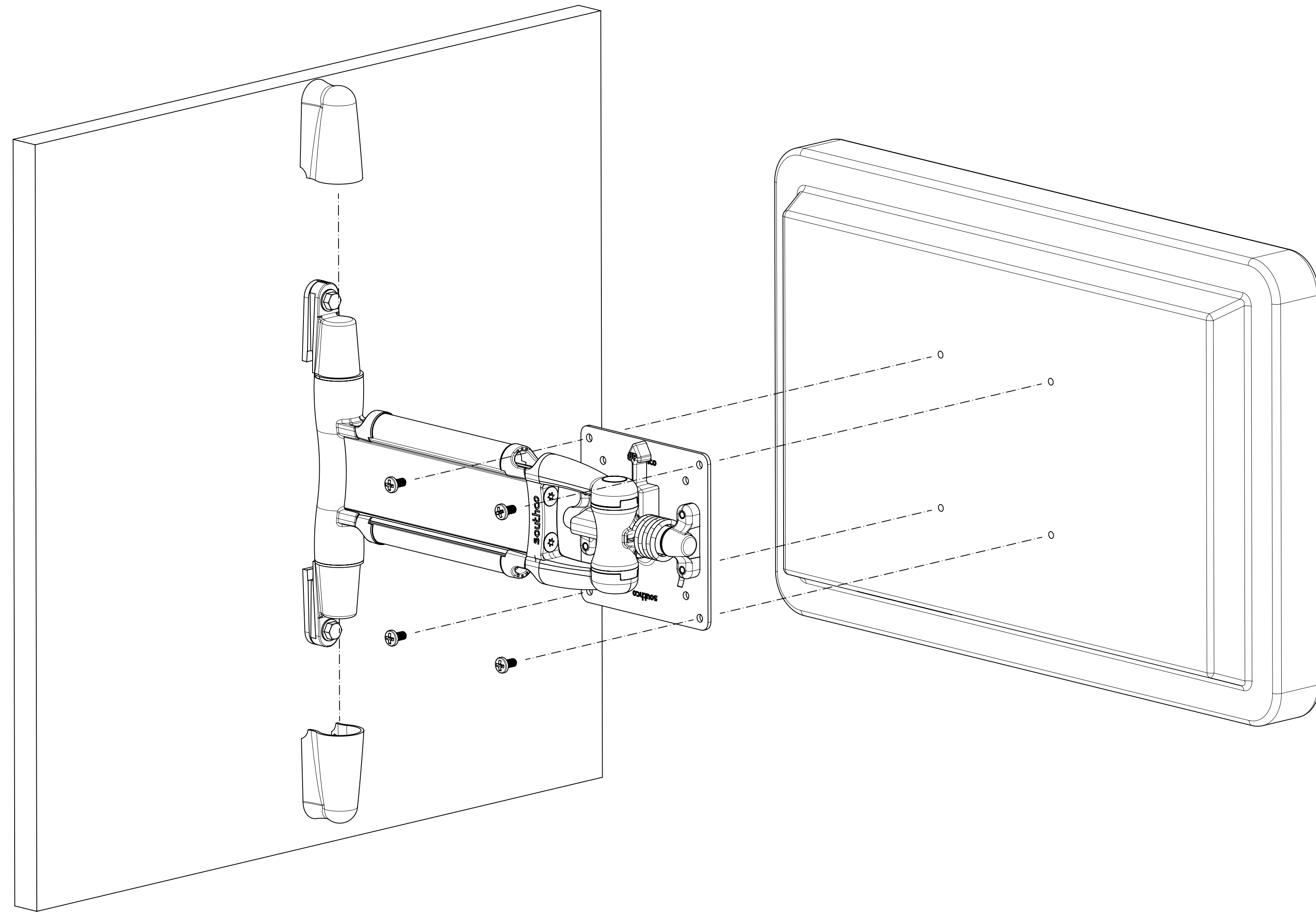
3. INTALL ARM ONT THE WALL OR PANEL.
 - A. FOR THRU-BOLT INSTALLATION, DRILL OR PUNCH HOLES AND INSTALL USING 1/4-20 OR M6 MOUNTING HARDWARE (NOT PROVIDED)AND FLAT WASHERS (NOT PROVIDED).
 - B. FOR 1/4 INCH LAG SCREW INSTALLATION IN WOOD STUDS, DRILL A 3/16 INCH PILOT HOLE, THEN INSTALL USING A 1/4 INCH LAG SCREW AND FLAT WASHER. DO NOT OVER TIGHTEN. USE THE OPTIONAL WALL REINFORCEMENT PLATE (SOLD SEPARATELY) WHEN INSTALLING ARM ASSEMBLY ONTO COMPLIANT SURFACES.

NOTE: BECAUSE OF THE WIDE VARIETY OF AVAILABLE WALL MATERIALS, IT IS THE INSTALLER'S RESPONSIBILITY TO ENSURE THAT THE MATERIALS AND STRUCTURE TO WHICH THE ARM IS MOUNTED, AND THE HARDWARE SELECTED, WILL PROVIDE ADEQUATE SUPPPORT.

C. NOTE: FOR PROPER FUNCTION, THE ARM MUST BE INSTALLED WITH THE LARGE DIAMETER SIDE OF THE MONITOR PIVOT PIN FACING UP.

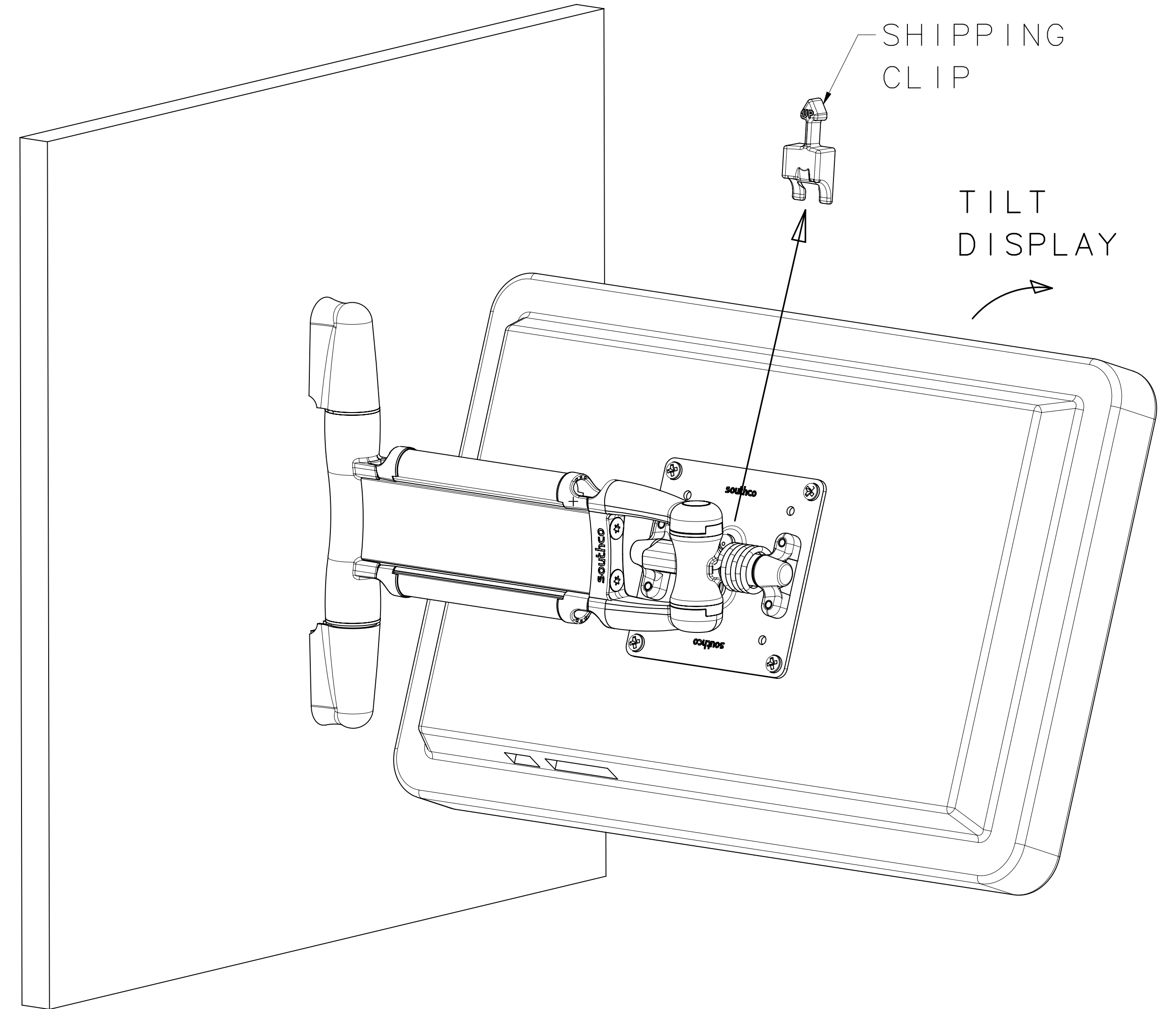
THIRD ANGLE PROJECTION			
MILLIMETERS [IN]			
SURFACE AREA XXXXXmm ²		TOLERANCES UNLESS OTHERWISE NOTED	
VOLUME XXXXXmm ³		ALL DIMENSIONS WITHOUT TOLERANCES ARE FOR REFERENCE ONLY.	
PROPRIETARY ITEM		SIZE D	SYSTEM NX
EXCEPT FOR USES EXPRESSLY GRANTED IN WRITING, INFORMATION DISCLOSED HEREON IS CONFIDENTIAL AND ALL RIGHTS, PATENT AND OTHERWISE ARE RESERVED BY SOUTHCO, INC.		DRW NO. J-AV-D30-25A101	DATE 11SEP2009
PER ASME Y14.5M-1994		SCALE 1:1	SHEET 3 OF 5

REVISION HISTORY			
REV	DATE	BY	DESCRIPTION
C	11SEP2009	GEA	PRN: P2009-1207



STEP 3

1. SLIDE ON WALL MOUNTING HARDWARE COVERS AND ATTACHED MONITOR TO MOUNTING PLATE USING 4 EACH DISPLAY MANUFACTURERS RECOMMENDED HARDWARE (NOT PROVIDED), AS SHOWN.



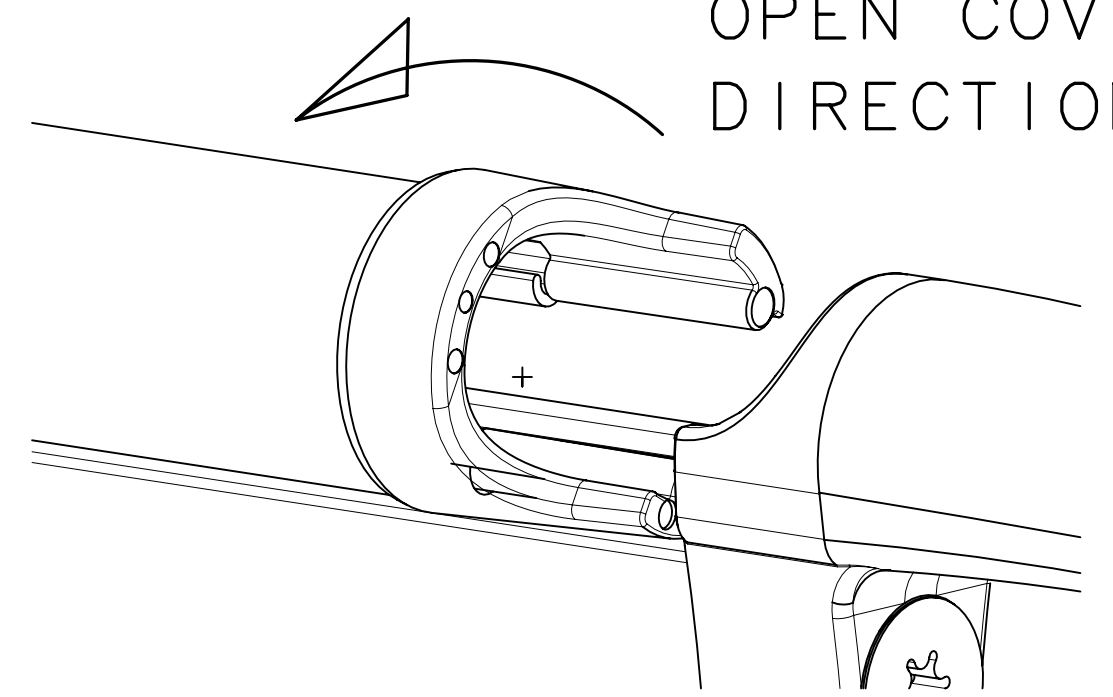
STEP 4

1. TILT DISPLAY FORWARD. REMOVE AND DISCARD SHIPPING CLIP.

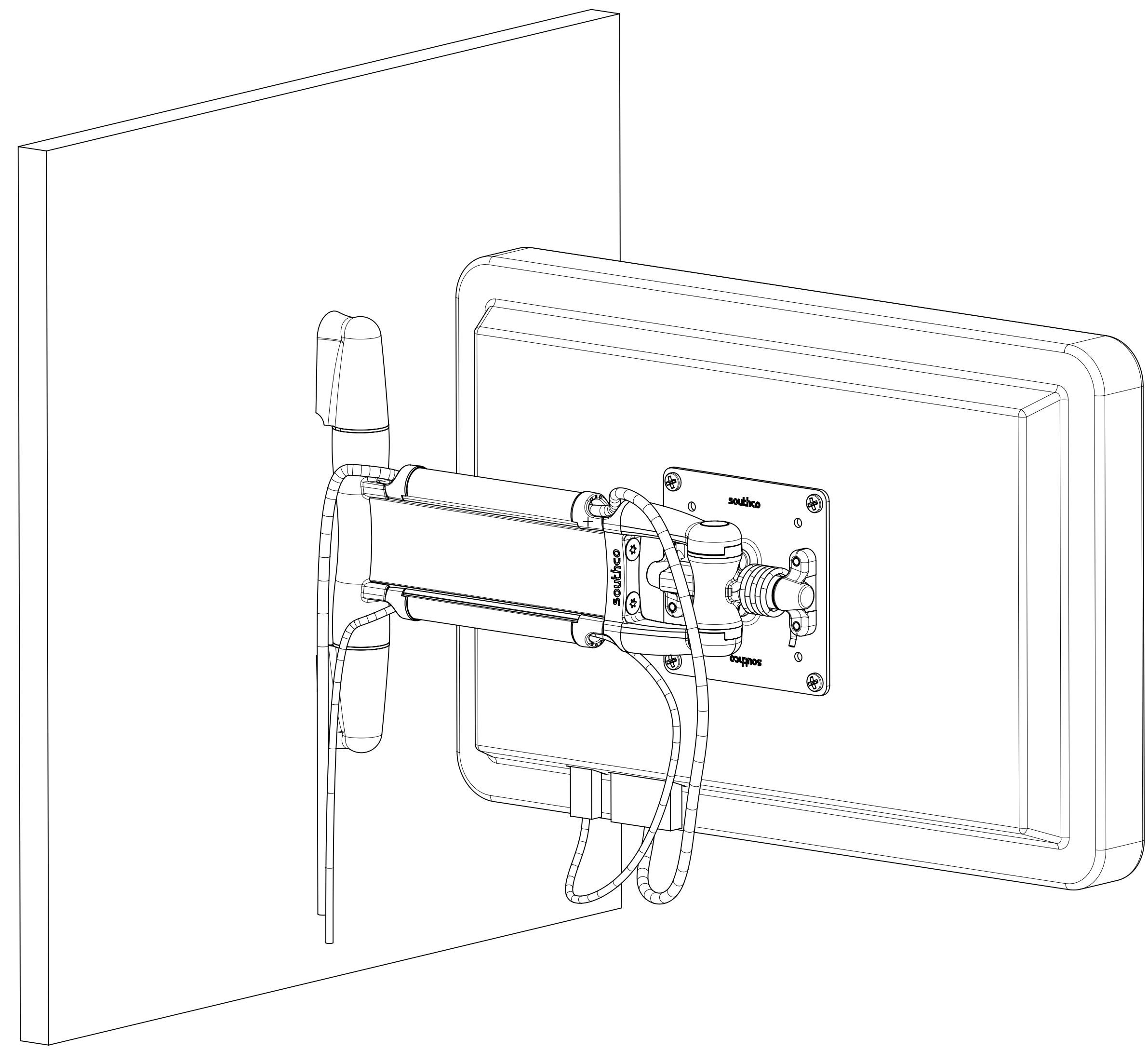
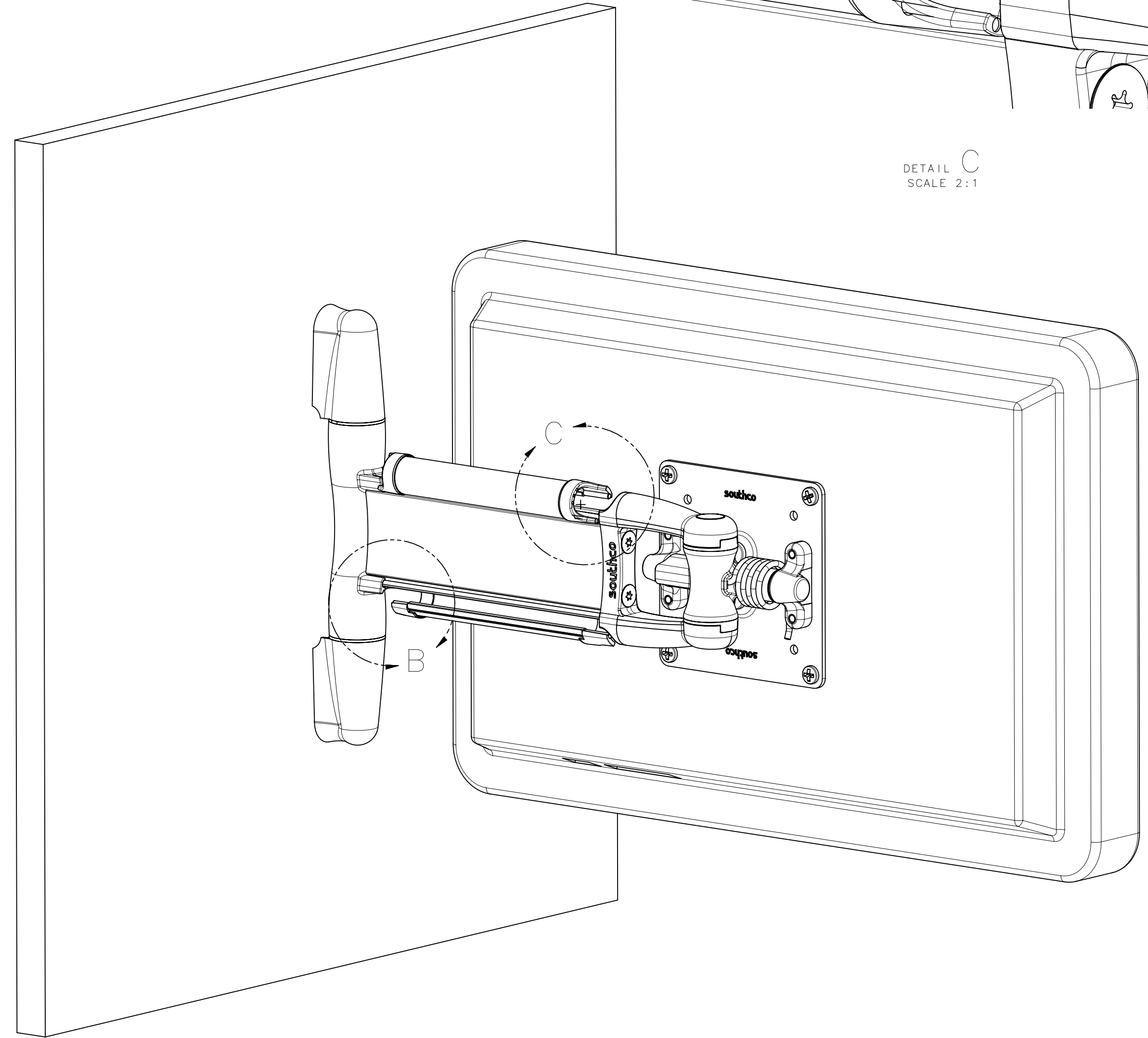
THIRD ANGLE PROJECTION				southco CONNECT · CREATE · INNOVATE	
MILLIMETERS [IN]					
SURFACE AREA XXXXXmm ²		TOLERANCES UNLESS OTHERWISE NOTED		DESCRIPTION Hinge & Controlled Motion Device ARM ASSEMBLY	
VOLUME XXXXXmm ³		ALL DIMENSIONS WITHOUT TOLERANCES ARE FOR REFERENCE ONLY.			
PROPRIETARY ITEM		SIZE D	SYSTEM NX	DWG NO. J-AV-D30-25A101	
EXCEPT FOR USES EXPRESSLY GRANTED IN WRITING, INFORMATION DISCLOSED HEREON IS CONFIDENTIAL AND ALL RIGHTS, PATENTS AND OTHERS ARE RESERVED BY SOUTHCO, INC.		PER ASME Y14.5M-1994	DRAWN BY GEA	DATE 11SEP2009	SCALE 1:1 SHEET 2 OF 5

REVISION HISTORY			
REV	DATE	BY	DESCRIPTION
C	11SEP2009	GEA	PRN: P2009-1207

OPEN COVER IN DIRECTION OF ARROW

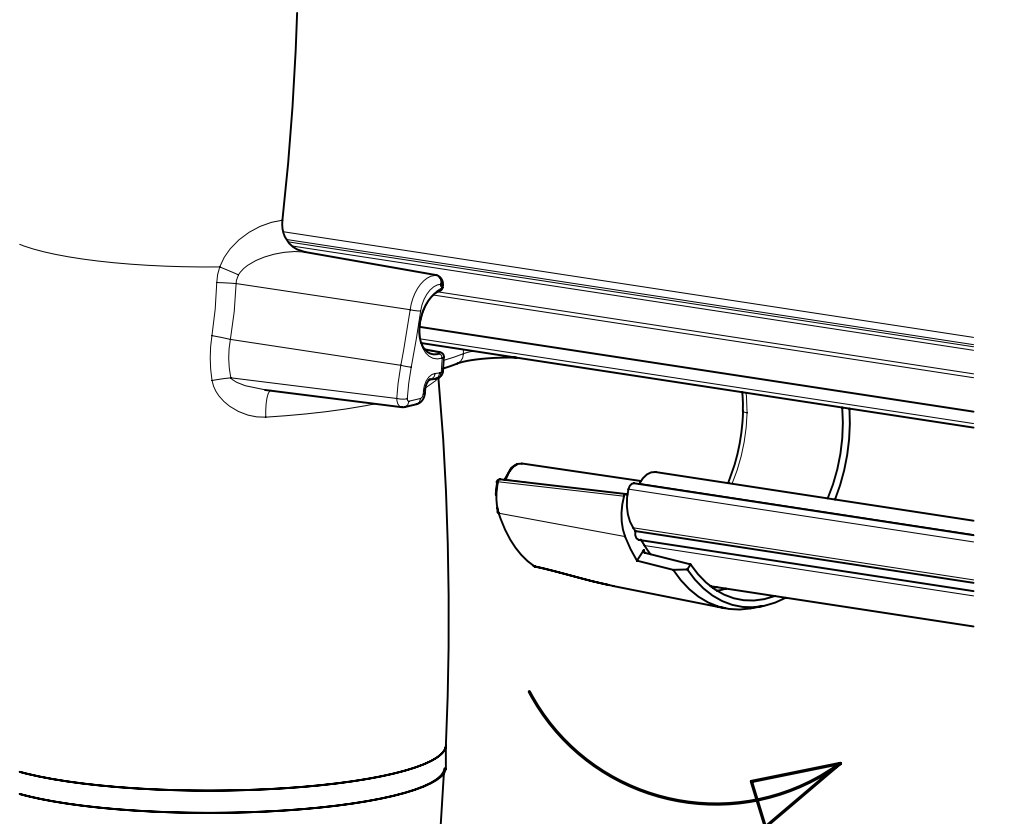


DETAIL C
SCALE 2:1



STEP 5

1. SNAP OPEN HINGED COVERS TO ROUTE WIRES THROUGH UPPER OR LOWER CHANNELS TO SUIT INSTALLATION AND DISPLAY WIRING LOCATIONS.
- NOTE: TO OPEN COVERS, PLACE THUMBS ON RIB ADJACENT AND PUSH AWAY FROM CENTER ARM SUPPORT TO RELEASE COVER SNAP FIT.
2. CLOSE COVERS UNTIL LATCHED TO SECURE WIRES.

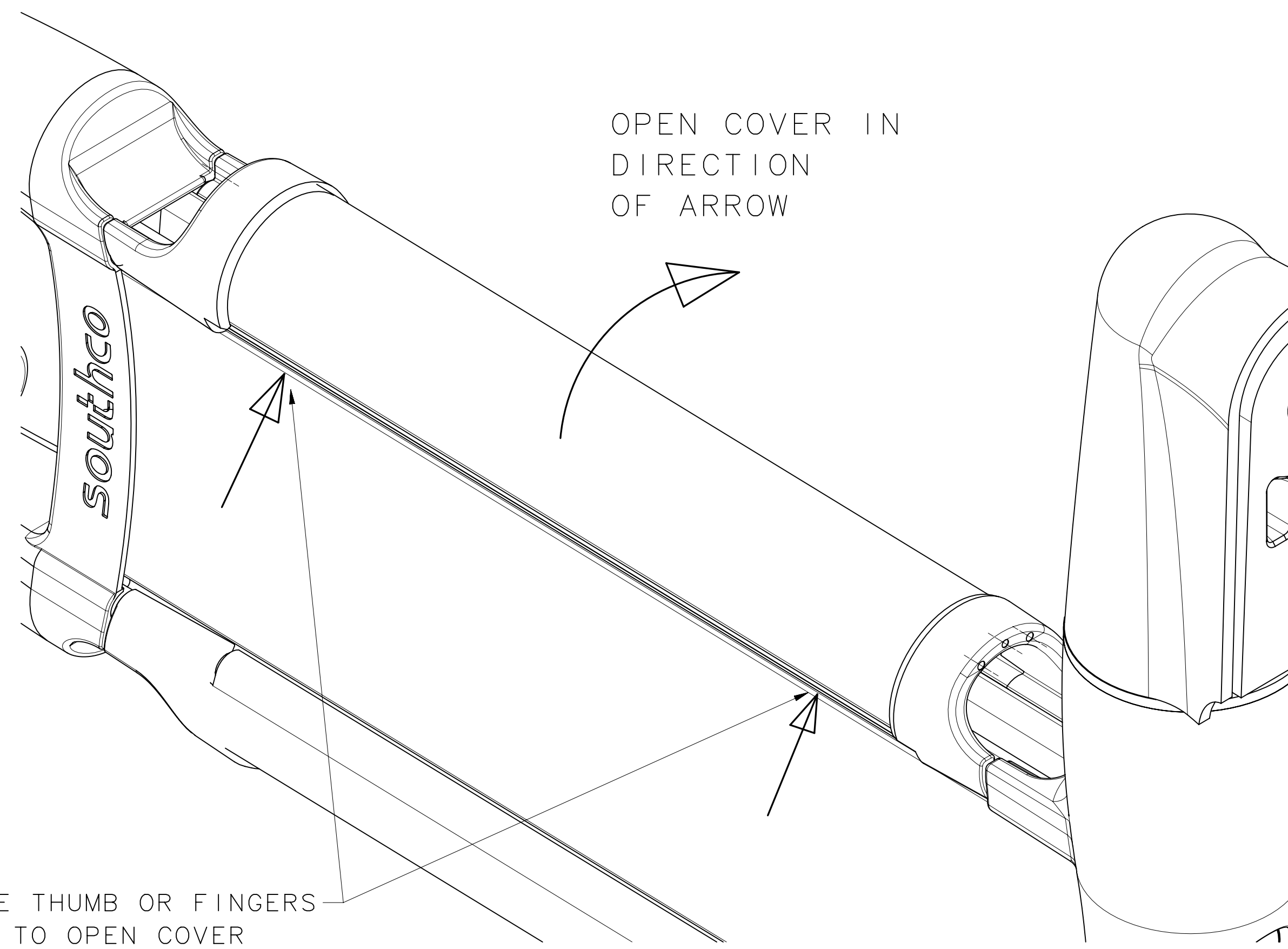
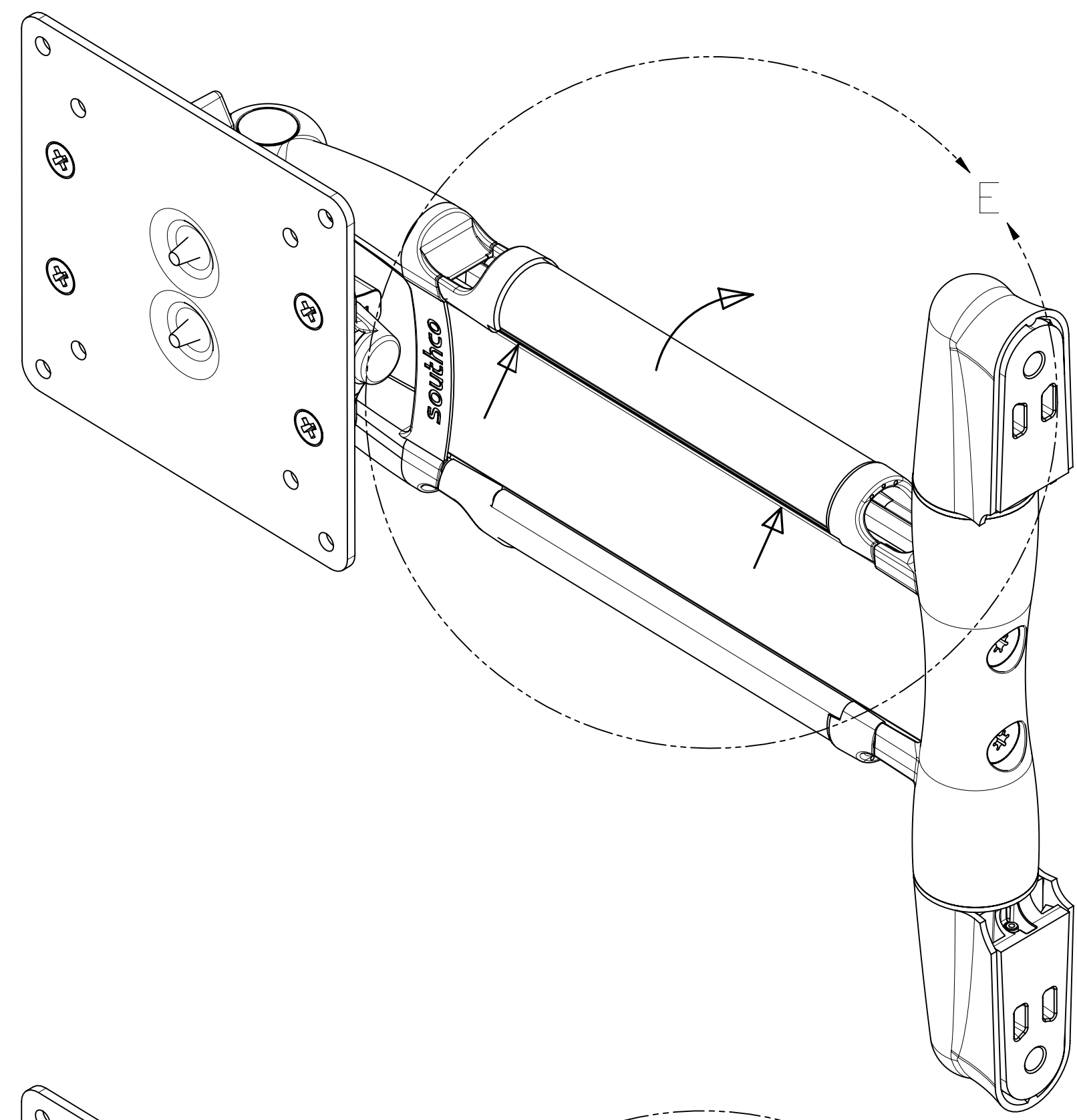


OPEN COVER IN DIRECTION OF ARROW

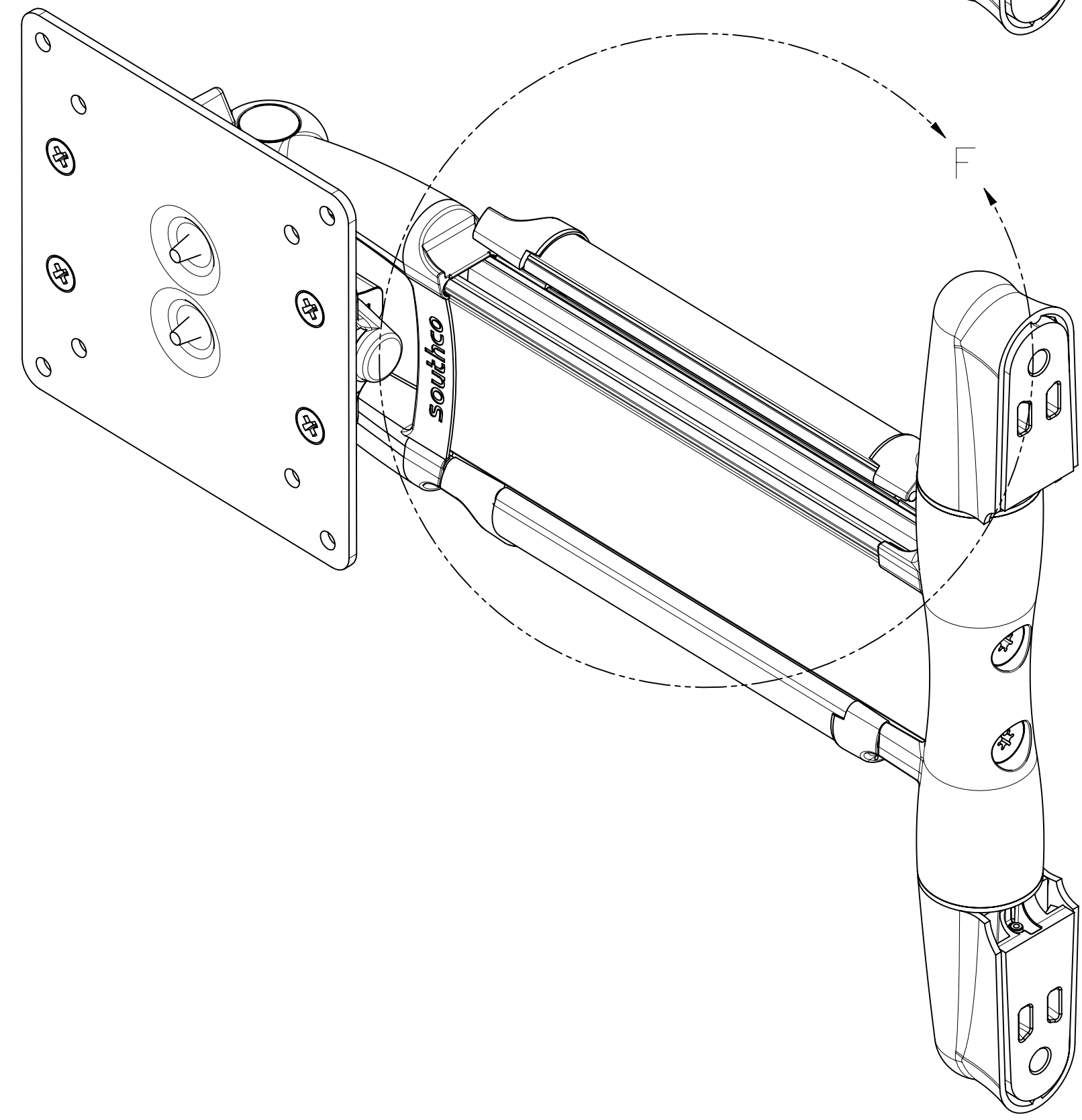
DETAIL B
SCALE 2:1

THIRD ANGLE PROJECTION				southco CONNECT • CREATE • INNOVATE	
MILLIMETERS [IN]					
SURFACE AREA XXXXXmm ²		TOLERANCES UNLESS OTHERWISE NOTED		DESCRIPTION Hinge & Controlled Motion Device ARM ASSEMBLY	
VOLUME XXXXXmm ³		ALL DIMENSIONS WITHOUT TOLERANCES ARE FOR REFERENCE ONLY.		SIZE D	SYSTEM NX
PROPRIETARY ITEM		PER ASME Y14.5M-1994		DWG NO. J-AV-D30-25A101	SCALE 1:1
EXCEPT FOR USES EXPRESSLY GRANTED IN WRITING, INFORMATION DISCLOSED HEREON IS CONFIDENTIAL AND ALL RIGHTS, PATENT AND OTHER, ARE RESERVED BY SOUTHCO, INC.		DRAWN BY GEA	DATE 11SEP2009	SHEET 4 OF 5	

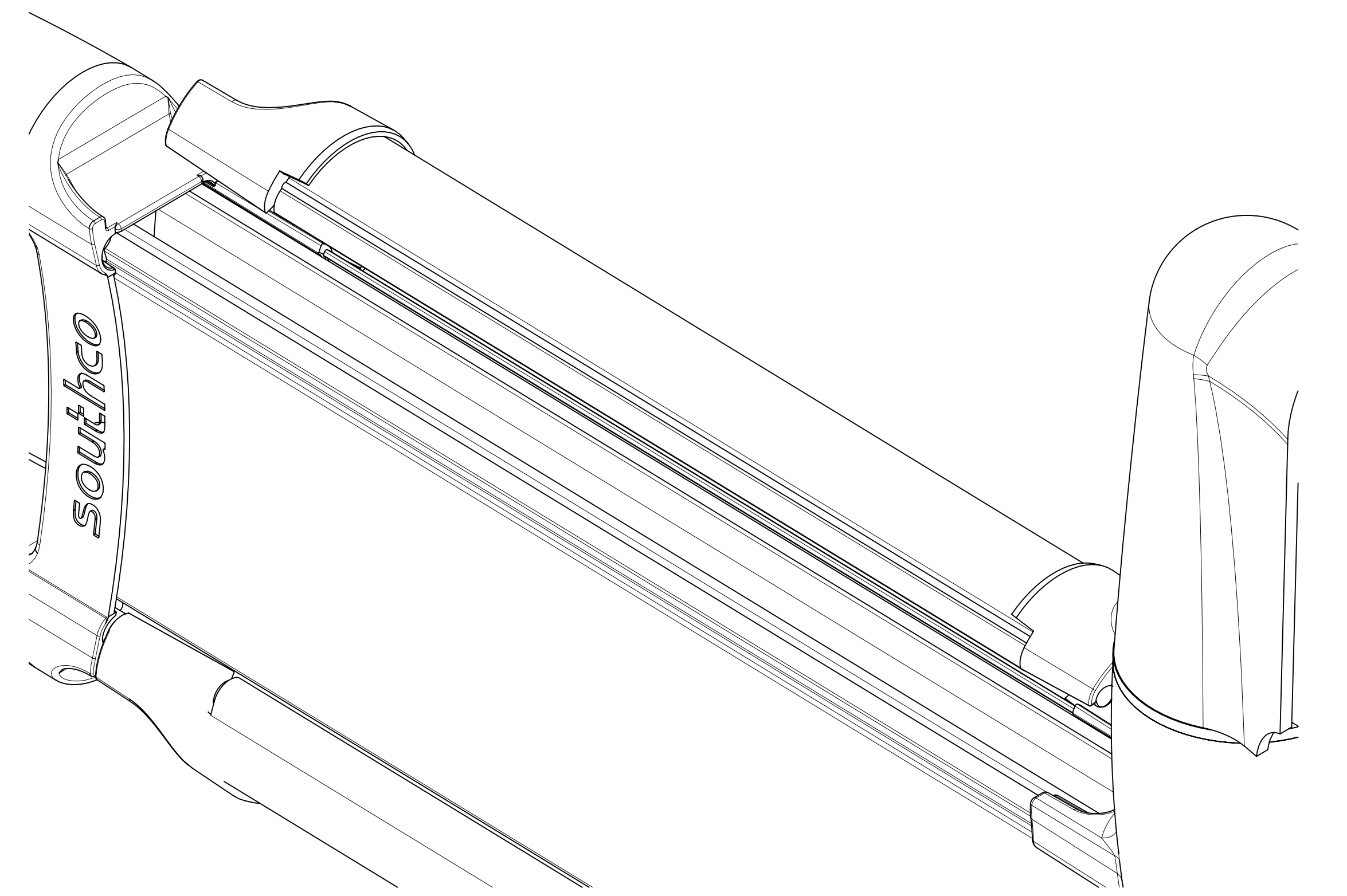
REVISION HISTORY			
REV	DATE	BY	DESCRIPTION
C	11SEP2009	GEA	PRN: P2009-1207



DETAIL E
SCALE 2:1



PLACE THUMB OR FINGERS
HERE TO OPEN COVER



DETAIL F
SCALE 2:1

THIRD ANGLE PROJECTION				southco [®] CONNECT • CREATE • INNOVATE	
MILLIMETERS [IN]					
SURFACE AREA XXXXXmm ²		TOLERANCES UNLESS OTHERWISE NOTED		DESCRIPTION Hinge & Controlled Motion Device ARM ASSEMBLY	
VOLUME XXXXXmm ³		ALL DIMENSIONS WITHOUT TOLERANCES ARE FOR REFERENCE ONLY.		SIZE D	SYSTEM NX
PROPRIETARY ITEM		PER ASME Y14.5M-1994		DWG NO. J-AV-D30-25A101	DATE 11SEP2009
EXCEPT FOR USES EXPRESSLY GRANTED IN WRITING, INFORMATION DISCLOSED HEREON IS CONFIDENTIAL AND ALL RIGHTS, PATENT AND OTHERWISE, ARE RESERVED BY SOUTHCO, INC.		SCALE 1:1	DRAWN BY GEA	SHEET 5 OF 5	