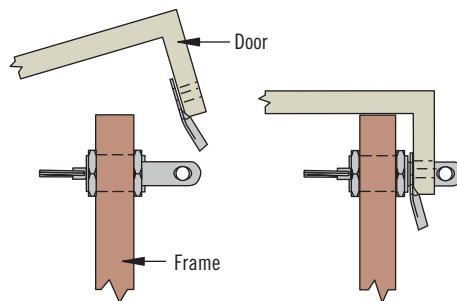
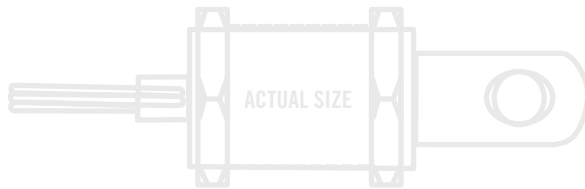
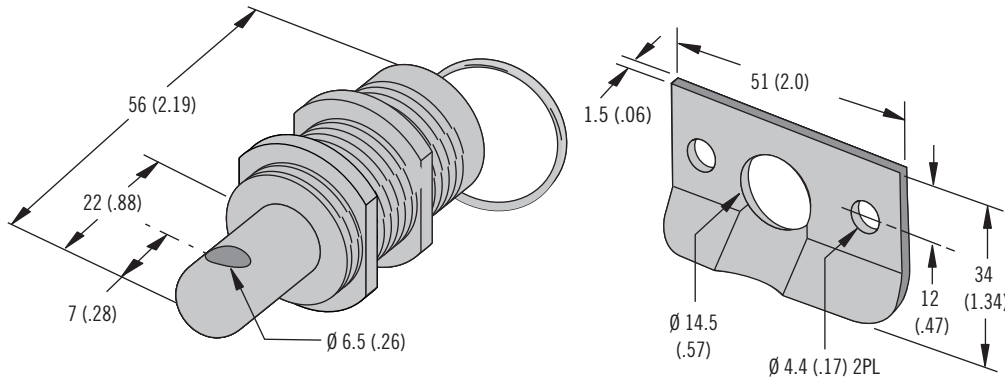


MT Push-to-Close Latch

Pull-to-open · Padlockable



Part Number
MT-04-11-24

- Remote actuation
- Corrosion-resistant

Material and Finish

Latch and keeper:
Stainless steel, passivated



Part Number

See table

Latch and keeper supplied