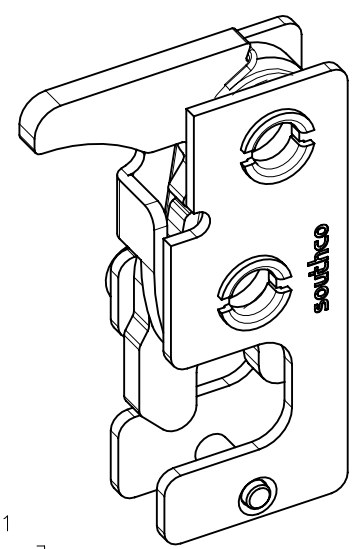
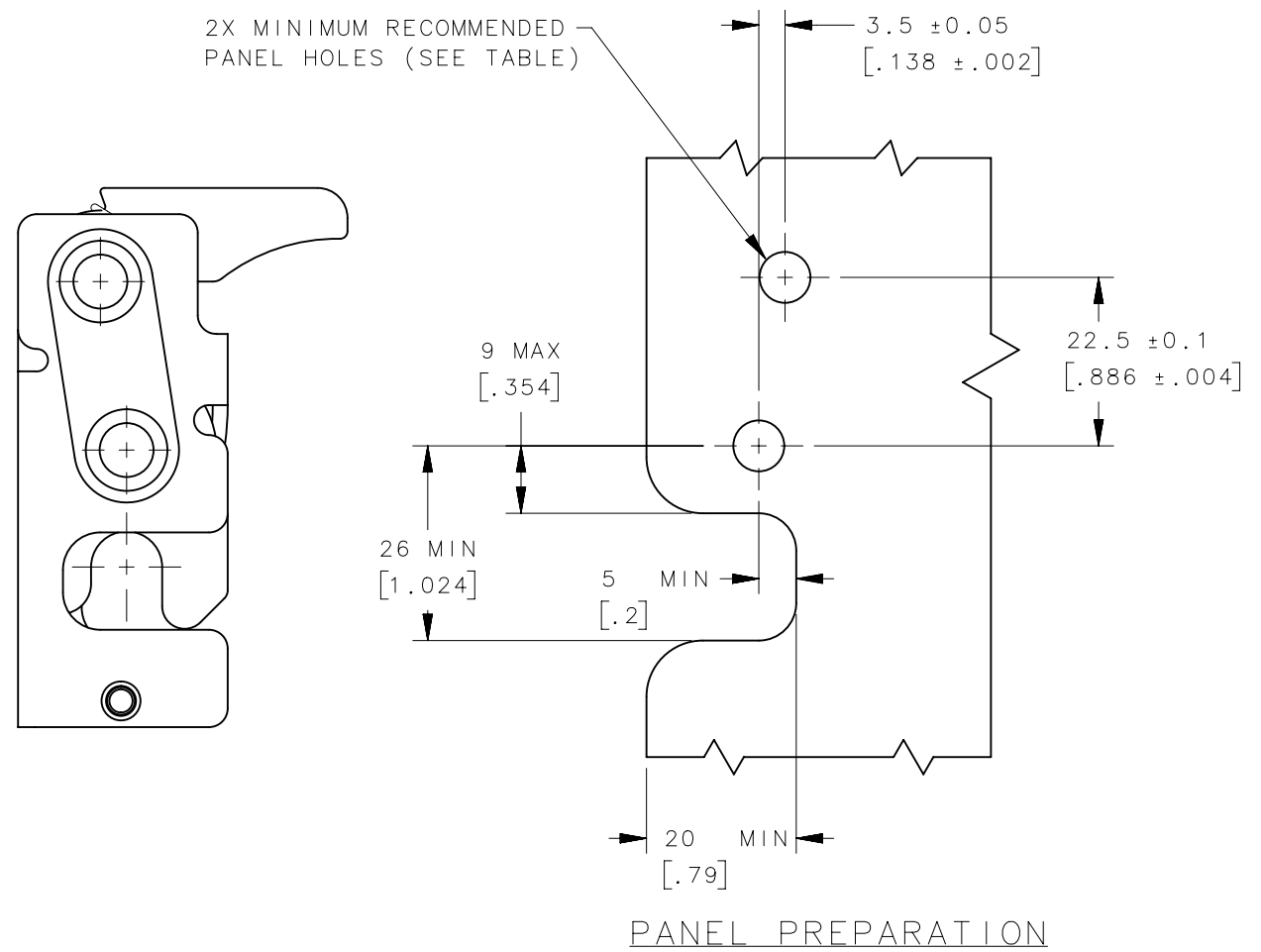
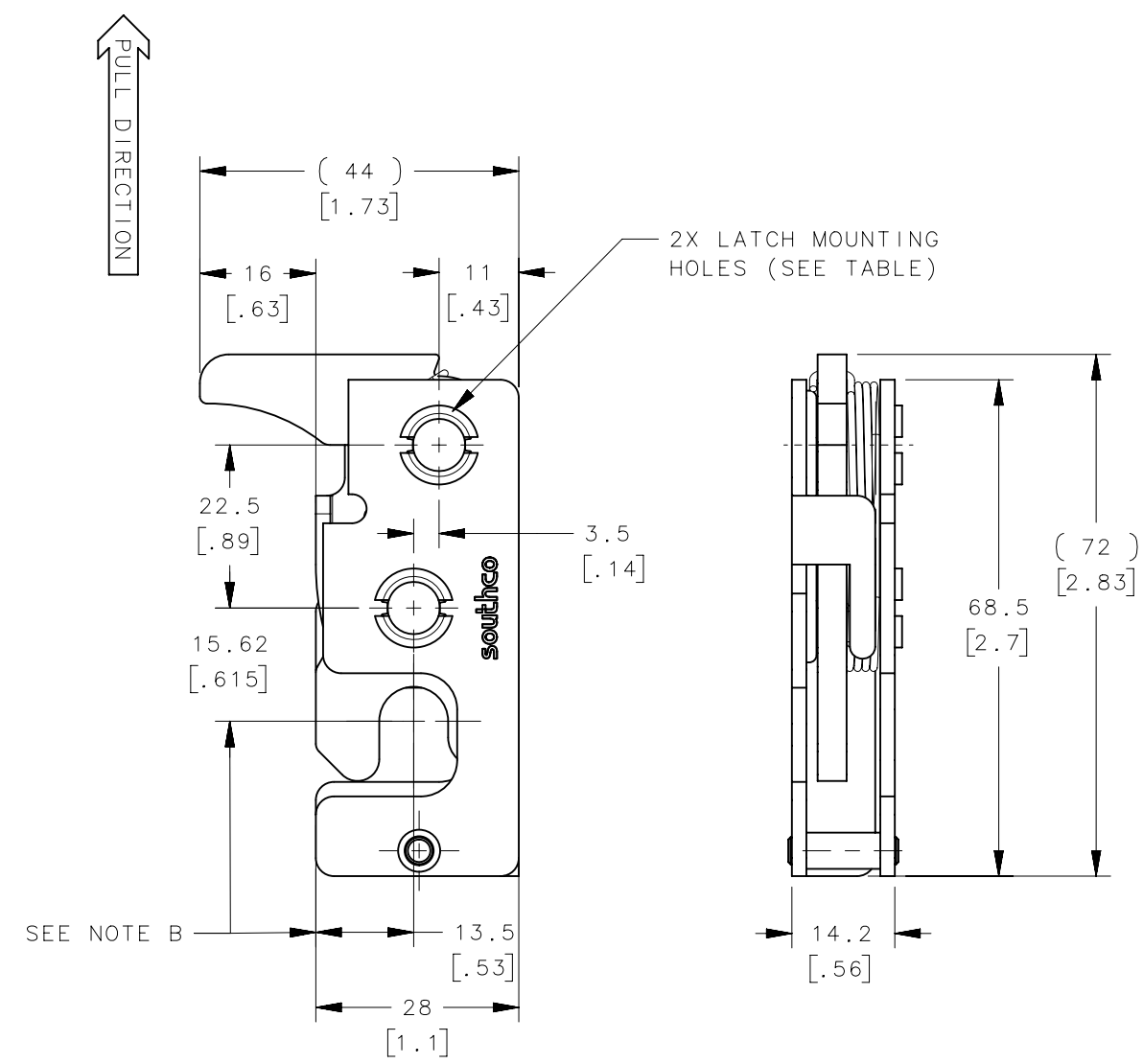


REVISION HISTORY			
REV	DATE	BY	DESCRIPTION
B	23JAN2014	ASM/ACH	PRN: P2014-0102



ASSEMBLY R4-10-30-401-10 SHOW

NOTES:

A. MATERIAL AND FINISH:

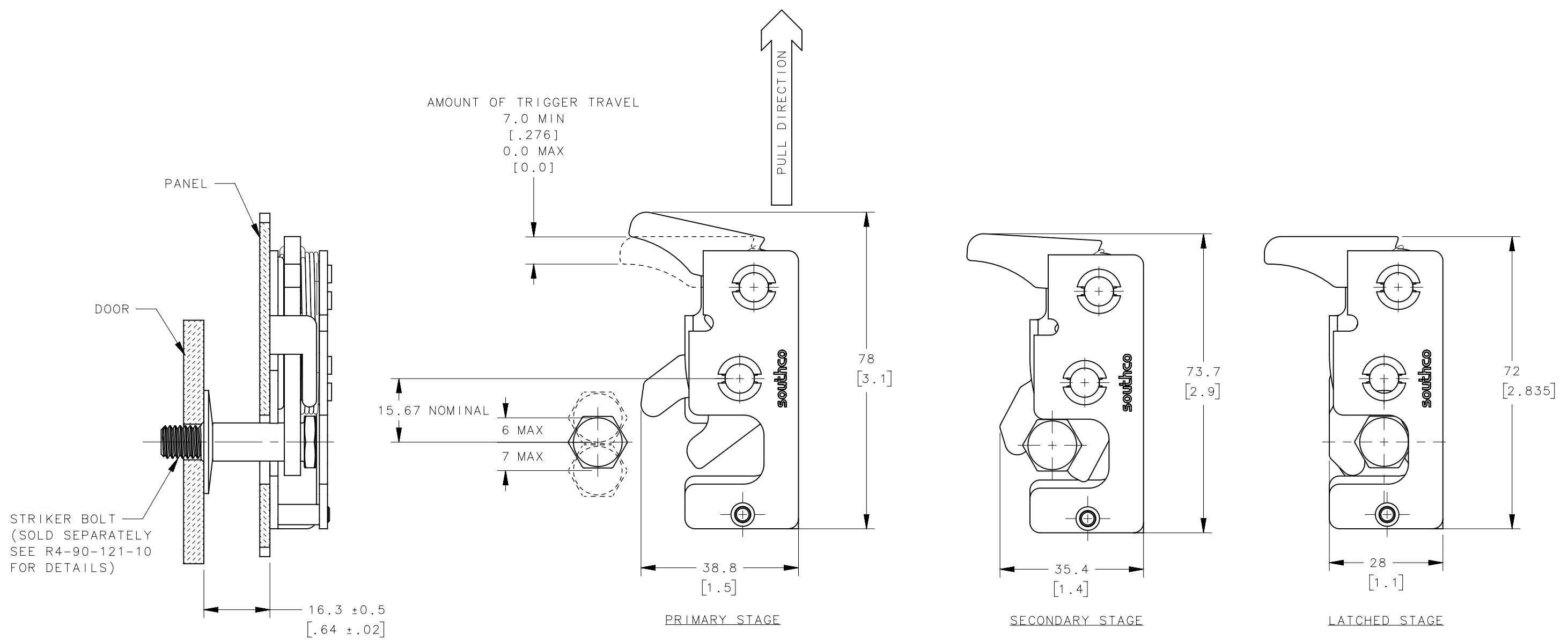
- HOUSING, LEVER AND INTERNAL COMPONENTS:
MATERIAL - STEEL
-10 ZINC PLATED, BRIGHT CHROMATE
-77 ZINC NICKEL, BRIGHT CHROMATE
- PAWL AND TRIGGER:
MATERIAL - HARDENED STEEL
-10 ZINC PLATED, BRIGHT CHROMATE
-77 ZINC NICKEL, BRIGHT CHROMATE
ZINC PLATE CHROMATE.
- SPRING: STAINLESS STEEL, PASSIVATED

B. THESE DIMENSIONS REQUIRED FOR MOUNTING STRIKER BOLT.

R4-10-30-401-77	Ø 7.2mm THRU	SEE NOTE A	SEE NOTE A	
R4-10-31-401-77	1/4-20 THREAD	SEE NOTE A	SEE NOTE A	
R4-10-32-401-77	M6 THREAD	SEE NOTE A	SEE NOTE A	
R4-10-30-401-10	Ø 7.2mm THRU	SEE NOTE A	SEE NOTE A	
R4-10-31-401-10	1/4-20 THREAD	SEE NOTE A	SEE NOTE A	
R4-10-32-401-10	M6 THREAD	SEE NOTE A	SEE NOTE A	
ASSEMBLY PART NUMBER	LATCH MOUNTING HOLE	MATERIAL	FINISH	GENERAL NOTES

THIRD ANGLE PROJECTION				southco [®] CONNECT • CREATE • INNOVATE	
MILLIMETERS [IN]					
SURFACE AREA	TOLERANCES UNLESS OTHERWISE NOTED ALL DIMENSIONS WITHOUT TOLERANCES ARE FOR REFERENCE ONLY.			DESCRIPTION R4 MINI TWO STAGE ROTARY LATCH DIRECT ACTUATOR - RIGHT HAND	
VOLUME					
PROPRIETARY ITEM	PER ASME Y14.5M-1994	SIZE B	SYSTEM NX	DWG NO. J-R4-10-30-401	
EXCEPT FOR USES EXPRESSLY GRANTED IN WRITING, INFORMATION DISCLOSED HEREON IS CONFIDENTIAL AND ALL RIGHTS, PATENT AND OTHERWISE, ARE RESERVED BY SOUTHCO, INC.	DRAWN BY DJK	DATE 26APR2012	SCALE 1:1	SHEET 1 OF 2	

REVISION HISTORY			
REV	DATE	BY	DESCRIPTION
B	23JAN2014	ASM/ACH	PRN: P2014-0102



ASSEMBLY R4-10-30-401-10 SHOWN

- NOTES:
- A. THE TOLERANCE BETWEEN THE LATCH AND STRIKER BOLT ASSUMES A NON-RIGID DOOR INSTALLATION THAT WILL ALLOW THE DOOR TO MOVE INTO THE NOMINAL POSITION DURING LATCHING. RIGID DOORS MUST HAVE THE STRIKER INSTALLED PER THE PANEL PREPARATION RECOMMENDATION.
 - B. THE MISALIGNMENT VIEW ASSUMES THE LATCH IS CONNECTED TO A PERFECTLY RIGID DOOR AND HINGE; THEREFORE, THERE IS NO DOOR AND/OR HINGE SLACK ASSOCIATED WITH THESE DIMENSIONS. THE MISALIGNMENT VIEW DOES NOT TAKE FLEXING OF THE STRIKER BOLT INTO ACCOUNT.

ASSEMBLY PART NUMBER	LATCH MOUNTING HOLE	MINIMUM RECOMMENDED PANEL HOLE	GENERAL NOTES
R4-10-30-401-77	Ø 7.2mm THRU	Ø 7.6 [.299]	
R4-10-31-401-77	1/4-20 THREAD	Ø 6.8 [.268]	
R4-10-32-401-77	M6 THREAD	Ø 6.4 [.252]	
R4-10-30-401-10	Ø 7.2mm THRU	Ø 7.6 [.299]	
R4-10-31-401-10	1/4-20 THREAD	Ø 6.8 [.268]	
R4-10-32-401-10	M6 THREAD	Ø 6.4 [.252]	

THIRD ANGLE PROJECTION				southco [®] CONNECT • CREATE • INNOVATE	
MILLIMETERS [IN]					
TOLERANCES UNLESS OTHERWISE NOTED	DESCRIPTION R4 MINI TWO STAGE ROTARY LATCH DIRECT ACTUATOR - RIGHT HAND				
ALL DIMENSIONS WITHOUT TOLERANCES ARE FOR REFERENCE ONLY.	SIZE B	SYSTEM NX	DWG NO. J-R4-10-30-401	SCALE 1:1	SHEET 2 OF 2
PER ASME Y14.5M-1994	DRAWN BY DJK	DATE 26APR2012			

PROPRIETARY ITEM
EXCEPT FOR USES EXPRESSLY GRANTED
IN WRITING, INFORMATION DISCLOSED
HEREON IS CONFIDENTIAL AND ALL
RIGHTS, PATENT AND OTHERWISE,
ARE RESERVED BY SOUTHCO, INC.