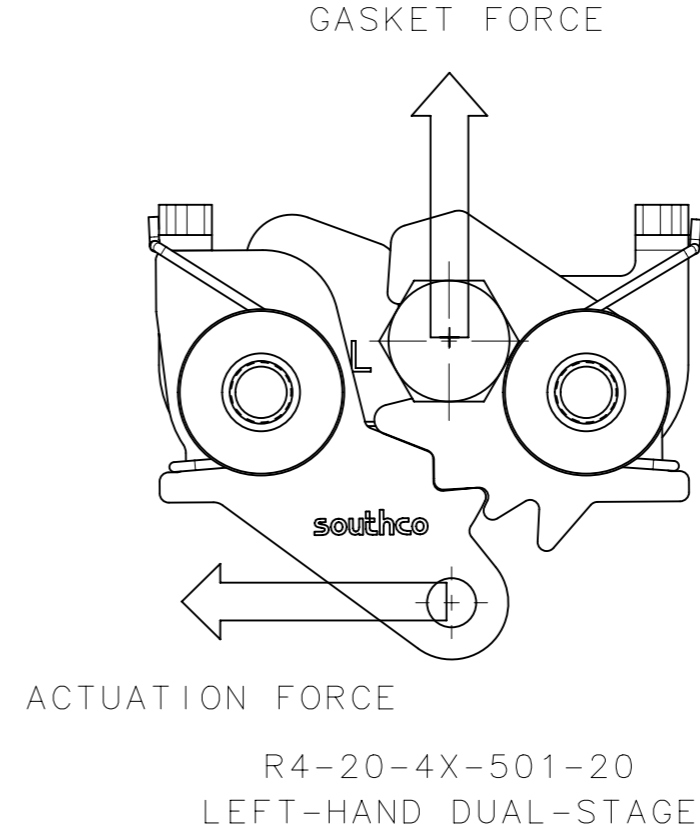
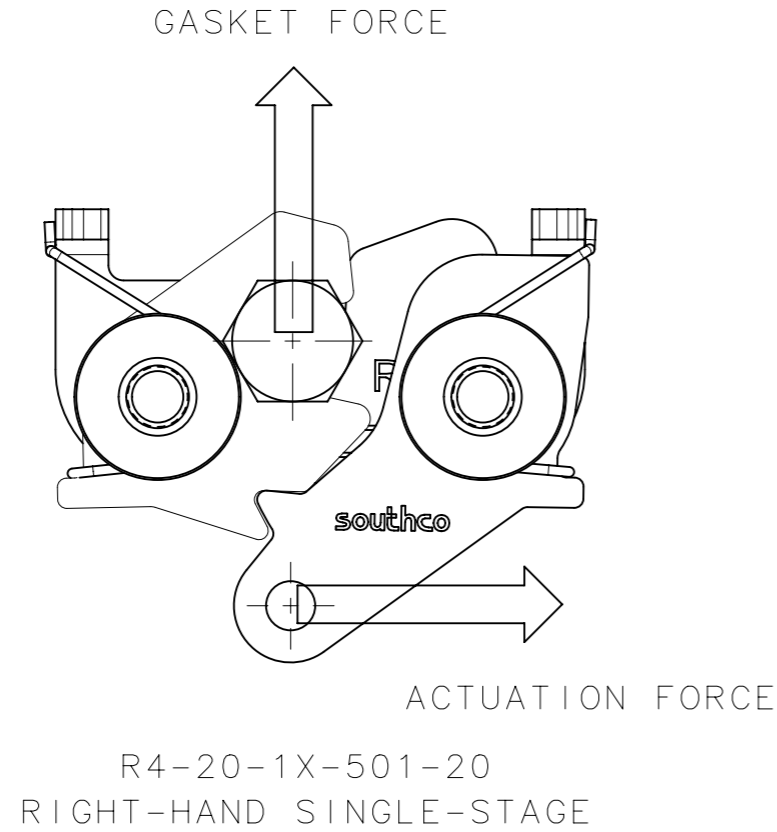


REVISION HISTORY			
REV	DATE	BY	DESCRIPTION
A	09JUL2018	VK/YGC	PRN: P2018-1642

SOUTHCO PERFORMANCE GUIDELINES

THE PERFORMANCE GUIDELINES SHOWN ON THIS PAGE ARE SUPPLIED AS A GENERAL GUIDE ONLY. AS CONDITIONS VARY WITH EACH APPLICATION AND METHOD OF INSTALLATION. STRENGTH DATA GIVEN IS FOR FAILURE OF THE PRODUCT OR FOR SUFFICIENT DEFORMATION TO MAKE THE PRODUCT INOPERABLE. NO SAFETY FACTOR HAS BEEN APPLIED. IT IS RECOMMENDED THAT THE USER REQUEST A PRODUCT SAMPLE FOR TESTING TO DETERMINE THE SUITABILITY OF THE PRODUCT FOR THE PURPOSE INTENDED AND USER'S PARTICULAR APPLICATION



PERFORMANCE VALUES FOR R4-20-YX-501-20

TYPE OF LATCH	GASKET FORCE	AVERAGE FORCE REQUIRED TO ACTUATE (OPEN) LATCH	AVERAGE ULTIMATE TENSILE FORCE		CYCLE LIFE
			PRIMARY	SECONDARY	
SINGLE - STAGE	111 N (25 lb)	23.3 N - 26.4 N (5.2 lb - 5.9 lb)	6,000 N (1,350 lb)	N/A	25,000
DUAL - STAGE	111 N (25 lb)	13.9 N - 19.6 N (3.1 lb - 4.4 lb)	6,000 N (1,350 lb)	3,000 N (675 lb)	25,000

- ACTUATION FORCE TESTS AND CYCLE TEST WERE PERFORMED WITH PART NUMBERS R4-20-12-501-20, R4-20-22-501-20, R4-20-32-501-20, AND R4-20-42-501-20.
- MAXIMUM ALLOWABLE TORQUE ON THREADED MOUNTING SCREWS IS 120 in-lbs (13.56 N-m).

REF: trR4-34345 and trR4-26137

THIRD ANGLE PROJECTION		southco [®] CONNECT • CREATE • INNOVATE	
MILLIMETERS [IN]			
SURFACE AREA		TOLERANCES UNLESS OTHERWISE NOTED	
VOLUME		DESCRIPTION R4-20 TEST DATA SHEET STAINLESS STEEL	
PROPRIETARY ITEM <small>EXCEPT FOR USES EXPRESSLY GRANTED IN WRITING, INFORMATION DISCLOSED HEREON IS CONFIDENTIAL AND ALL RIGHTS, PATENT AND OTHERWISE, ARE RESERVED BY SOUTHCO, INC.</small>		SIZE A3	SYSTEM NX
PER ASME Y14.5M-1994		DWG NO. TD-R4-20-5-2	DATE 28JUN2018
		DRAWN BY VK	SCALE 1:1
		SHEET 1 OF 1	