

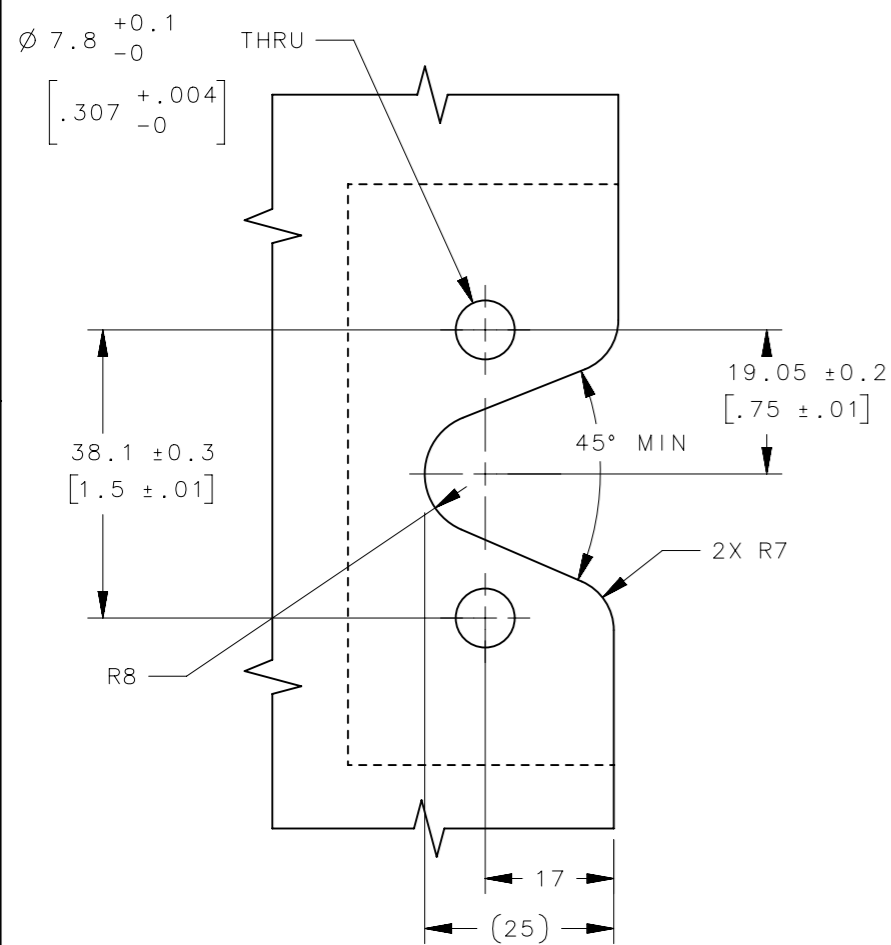
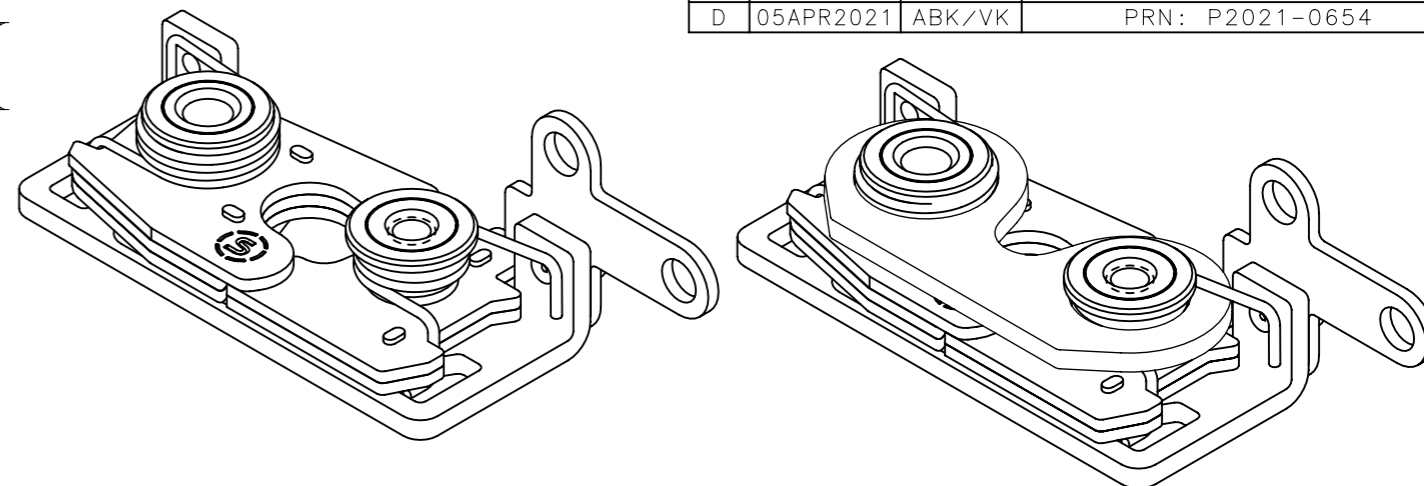
# R4-30-3 I - 30 B - M

REVISION HISTORY			
REV	DATE	BY	DESCRIPTION
D	05APR2021	ABK/VK	PRN: P2021-0654

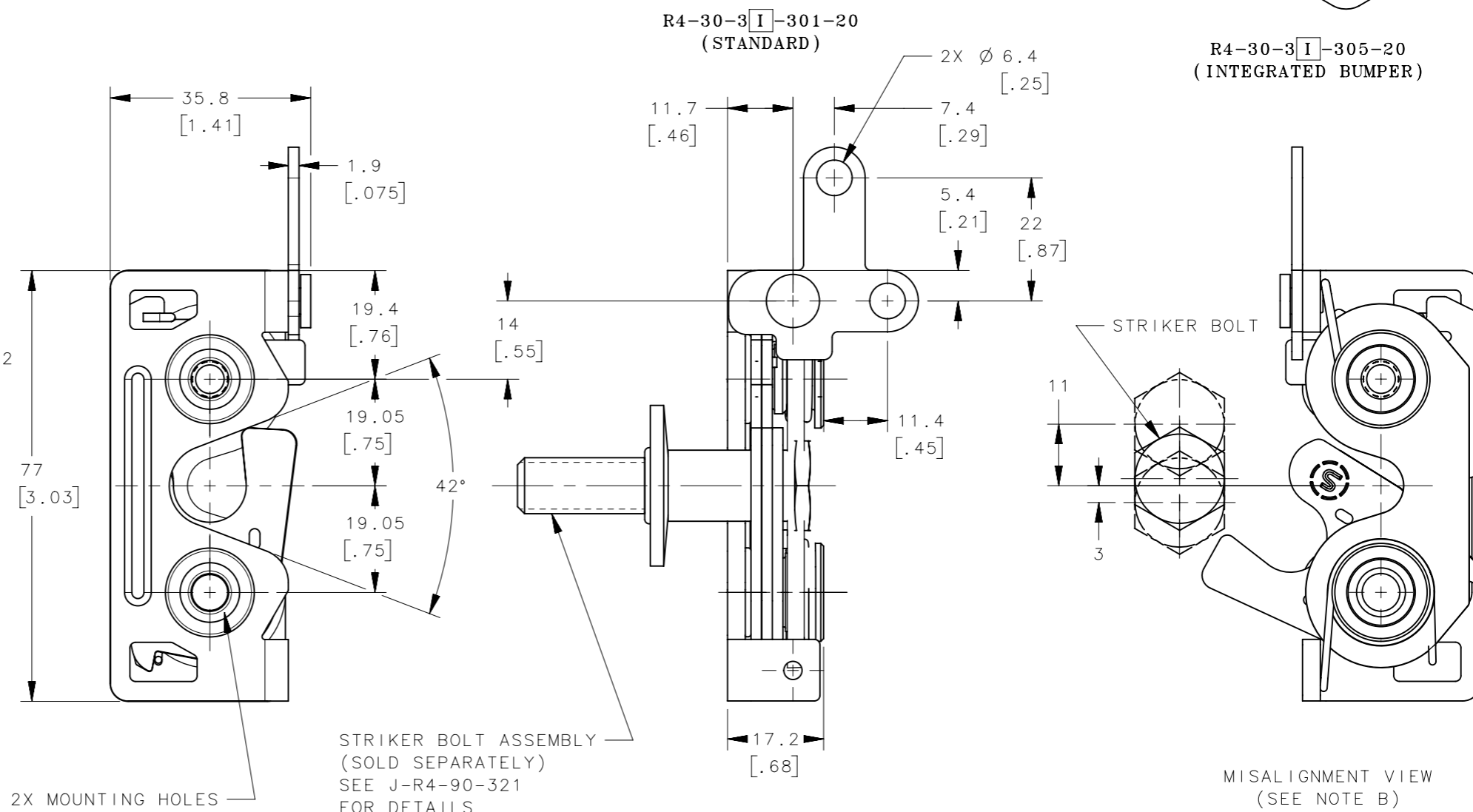
**I** MOUNTING OPTION  
 0 6.7 mm THRU HOLE  
 1 1/4-20 THREAD  
 2 M6 THREAD

**B** LATCHING  
 1 STANDARD  
 5 INTEGRATED BUMPER

**M** MATERIAL  
 20 STAINLESS STEEL, PASSIVATED



PANEL PREPARATION



STRIKER BOLT ASSEMBLY (SOLD SEPARATELY) SEE J-R4-90-321 FOR DETAILS

MISALIGNMENT VIEW (SEE NOTE B)

NOTES:

A. MATERIAL AND FINISH:

- HOUSING, LEVER AND INTERNAL COMPONENTS: STAINLESS STEEL, PASSIVATED
- PAWL AND TRIGGER: STAINLESS STEEL, PASSIVATED
- SPRING: STAINLESS STEEL, PASSIVATED

B. THE MISALIGNMENT VIEW ASSUMES THE LATCH IS CONNECTED TO A PERFECTLY RIGID DOOR AND HINGE; THEREFORE, THERE IS NO DOOR AND/OR HINGE SLACK ASSOCIATED WITH THESE DIMENSIONS, THE MISALIGNMENT VIEW DOES NOT TAKE FLEXING OF THE STRIKER BOLT INTO ACCOUNT.

THIRD ANGLE PROJECTION			
MILLIMETERS [IN]			
TOLERANCES UNLESS OTHERWISE NOTED		DESCRIPTION	
ALL DIMENSIONS WITHOUT TOLERANCES ARE FOR REFERENCE ONLY.		R4 LATCH ASSEMBLY - TWO POINT RIGHT HAND ACTUATION STAINLESS STEEL	
PER ASME Y14.5M-1994		SIZE	SYSTEM
PROPRIETARY ITEM		A3	NX
EXCEPT FOR USES EXPRESSLY GRANTED IN WRITING, INFORMATION DISCLOSED HEREON IS CONFIDENTIAL AND ALL RIGHTS, PATENT AND OTHERWISE, ARE RESERVED BY SOUTHCO, INC.		DWG NO.	J-R4-30-30-301-20
DRAWN BY		DATE	SCALE
YK/ACH		14OCT2014	1:1
SHEET		1 OF 1	