

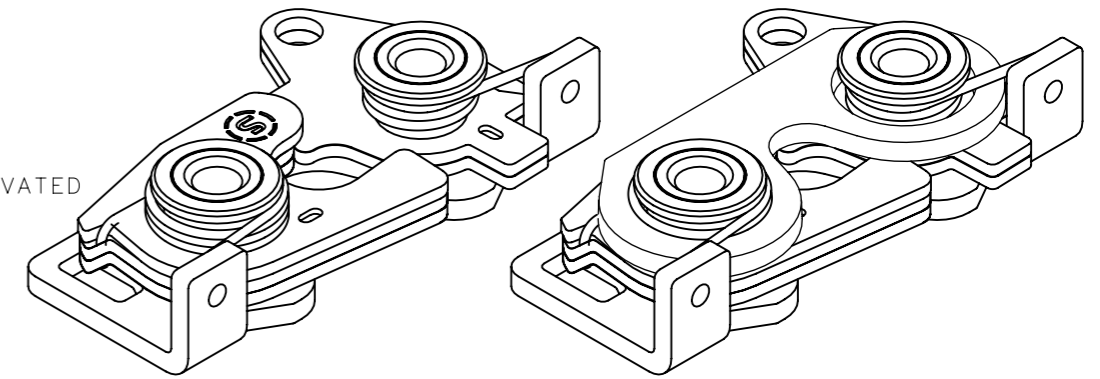
# R4-30-2 I -50 B-M

REVISION HISTORY			
REV	DATE	BY	DESCRIPTION
E	30APR2021	ABK/VK	PRN: P2021-0855

- I** MOUNTING OPTION
- 0 6.7 mm THRU HOLE
  - 1 1/4-20 THREAD
  - 2 M6 THREAD

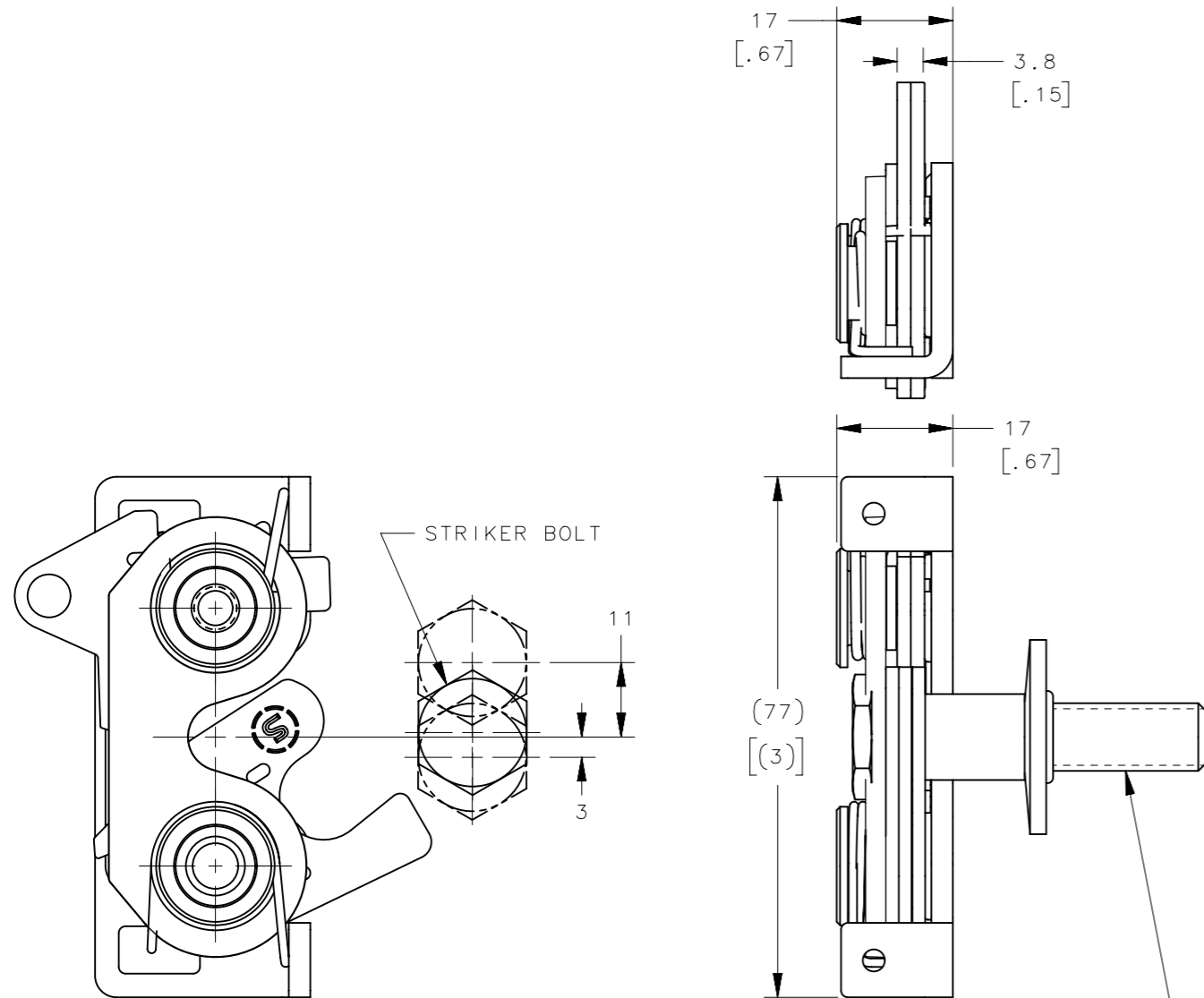
- B** BASE STYLE
- 1 STANDARD
  - 2 INTEGRATED CABLE BRACKET LONG (SEE SHEET 2)
  - 3 INTEGRATED CABLE BRACKET SHORT (SEE SHEET 2)
  - 5 INTEGRATED BUMPER
  - 6 INTEGRATED BUMPER & CABLE BRACKET LONG (SEE SHEET 2)
  - 7 INTEGRATED BUMPER & CABLE BRACKET SHORT (SEE SHEET 2)

- M** MATERIAL
- 20 STAINLESS STEEL, PASSIVATED



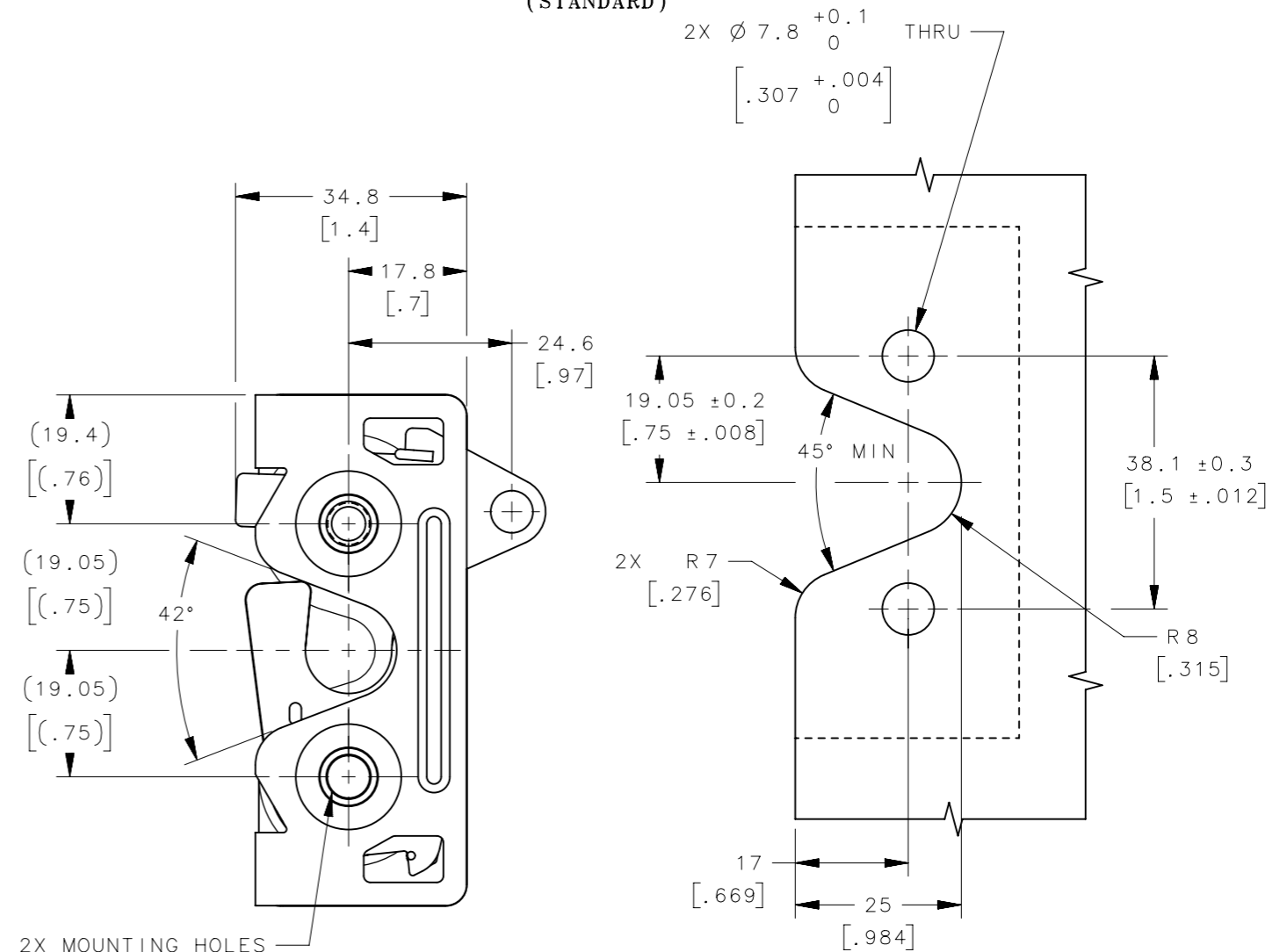
R4-30-2 I-501-20  
(STANDARD)

R4-30-2 I-505-20  
(INTEGRATED BUMPER)



MISALIGNMENT VIEW  
(SEE NOT 2)

STRIKER BOLT ASSEMBLY  
(SOLD SEPARATELY)  
SEE J-R4-90-321  
FOR DETAILS



2X MOUNTING HOLES

PANEL PREPARATION

NOTES:

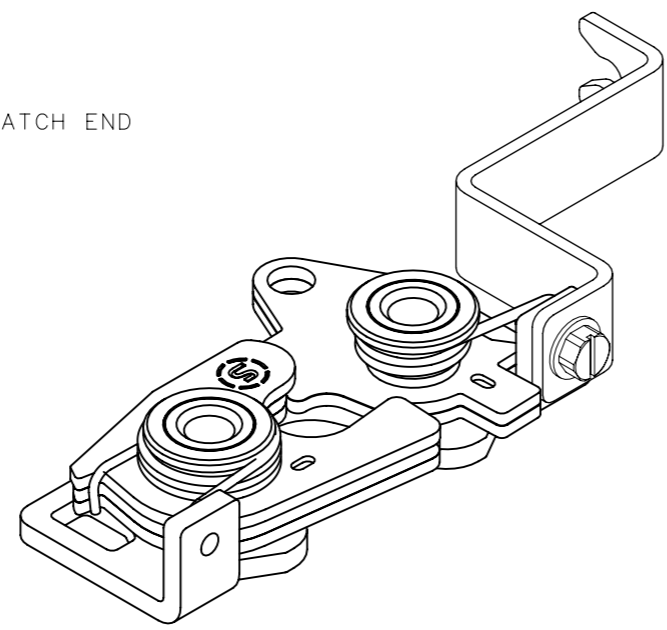
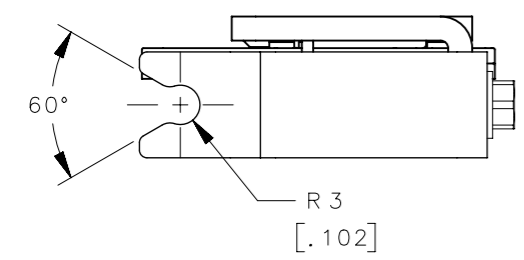
1. MATERIAL AND FINISH:
  - A. HOUSING, LEVER, BRACKET AND INTERNAL COMPONENTS: STAINLESS STEEL, PASSIVATED
  - B. PAWL AND TRIGGER: STAINLESS STEEL, PASSIVATED
  - C. SPRINGS: STAINLESS STEEL, PASSIVATED
2. THE MISALIGNMENT VIEW ASSUMES THE LATCH IS CONNECTED TO A PERFECTLY RIGID DOOR AND HINGE; THEREFORE, THERE IS NO DOOR AND/OR HINGE SLACK ASSOCIATED WITH THESE DIMENSIONS, THE MISALIGNMENT VIEW DOES NOT TAKE FLEXING OF THE STRIKER BOLT INTO ACCOUNT.
3. SAME AS R4-30-4X-501-20 EXCEPT SINGLE STAGE.
4. RECOMMENDED MOUNTING TORQUE IS 13.56 Nm (120 inch lbs)

THIRD ANGLE PROJECTION				<b>southco</b> <sup>®</sup> CONNECT • CREATE • INNOVATE	
MILLIMETERS [IN]					
TOLERANCES UNLESS OTHERWISE NOTED		DESCRIPTION			
ALL DIMENSIONS WITHOUT TOLERANCES ARE FOR REFERENCE ONLY		R4 LATCH ASSEMBLY -BOTTOM PULLBACK LH,SS, SINGLE STAGE			
PROPRIETARY ITEM	PER ASME Y14.5M-1994	SIZE A3	SYSTEM NX	DWG NO. J-R4-30-20-501-20	SCALE 1:1
EXCEPT FOR USES EXPRESSLY GRANTED IN WRITING, INFORMATION DISCLOSED HEREON IS CONFIDENTIAL AND ALL RIGHTS, PATENT AND OTHERWISE, ARE RESERVED BY SOUTHCO, INC.		DRAWN BY RKS/VK	DATE 11DEC2019	SHEET 1 OF 2	

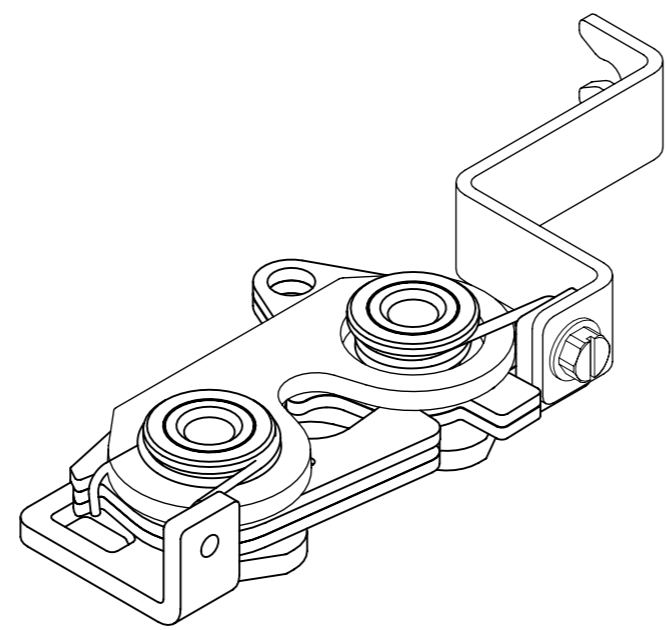
REVISION HISTORY			
REV	DATE	BY	DESCRIPTION
E	30APR2021	ABK/VK	PRN: P2021-0855

**LONG BRACKET**

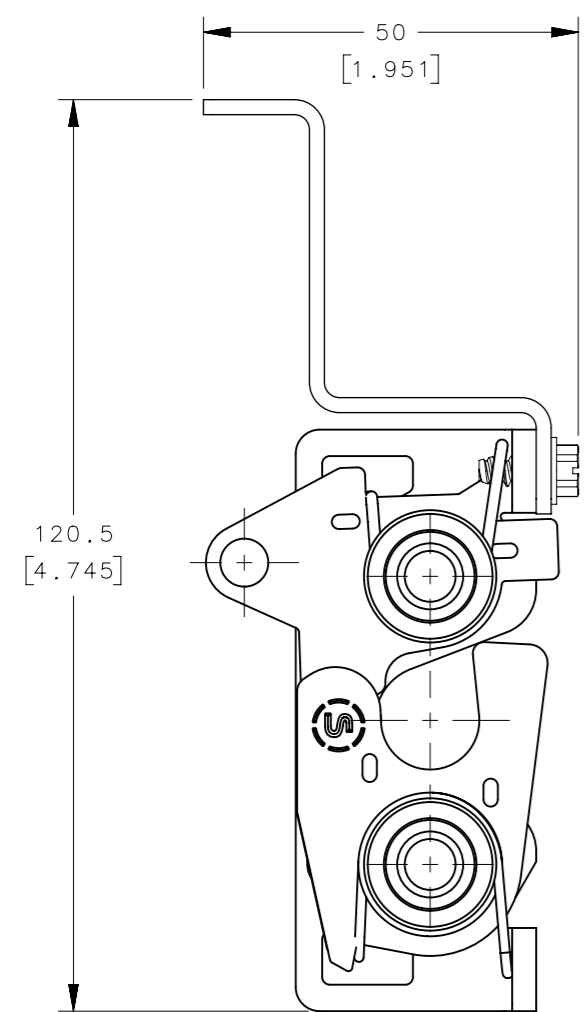
TO MOUNT CABLE WITH SPRING ON ROTARY LATCH END



R4-30-21-502-20  
(INTEGRATED LONG BRACKET)

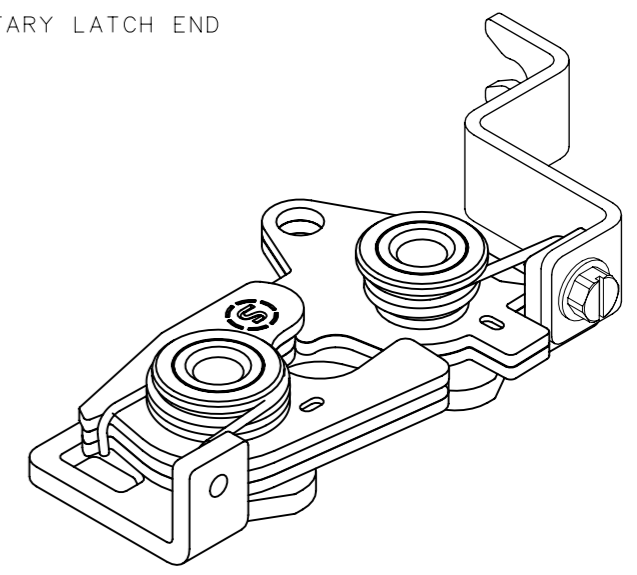
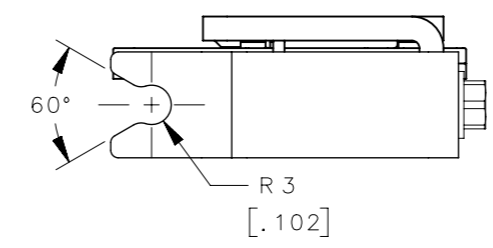


R4-30-21-506-20  
(INTEGRATED LONG BRACKET & BUMPER)

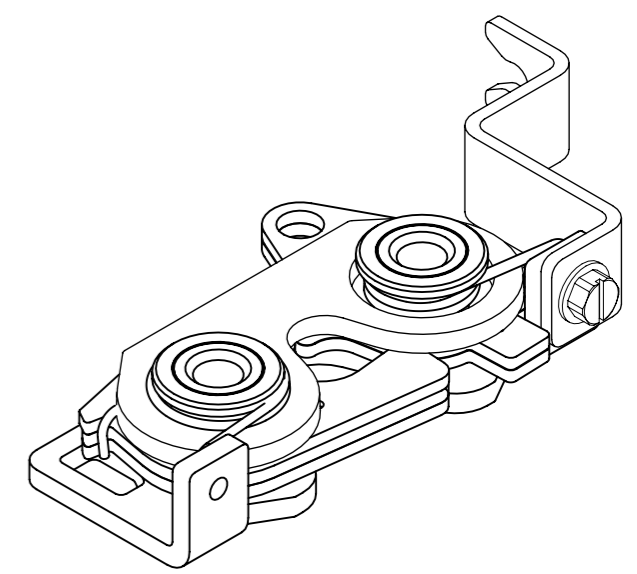
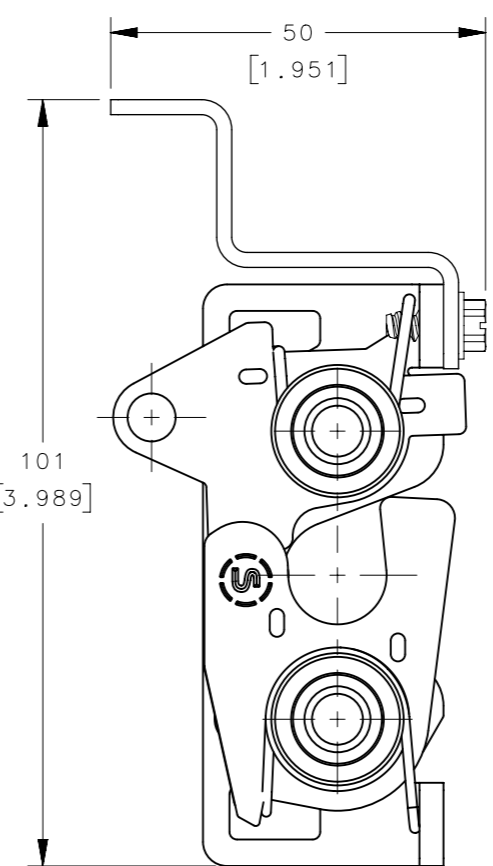


**SHORT BRACKET**

TO MOUNT CABLE WITH NO SPRING ON ROTARY LATCH END



R4-30-21-503-20  
(INTEGRATED SHORT BRACKET)



R4-30-21-507-20  
(INTEGRATED SHORT BRACKET & BUMPER)

CPB NUMBER	THIRD ANGLE PROJECTION		
	MILLIMETERS [IN]		
SURFACE AREA	TOLERANCES UNLESS OTHERWISE NOTED	DESCRIPTION	
VOLUME	ALL DIMENSIONS WITHOUT TOLERANCES ARE FOR REFERENCE ONLY.	R4 LATCH ASSEMBLY -BOTTOM PULLBACK LH,SS, SINGLE STAGE	
PROPRIETARY ITEM	PER ASME Y14.5M-1994	SIZE A3	SYSTEM NX
EXCEPT FOR USES EXPRESSLY GRANTED IN WRITING, INFORMATION DISCLOSED HEREON IS CONFIDENTIAL AND ALL RIGHTS, PATENT AND OTHERWISE, ARE RESERVED BY SOUTHCO, INC.		DWG NO. J-R4-30-20-501-20	
		DRAWN BY RKS/VK	DATE 11DEC2019
		SCALE 1:1	SHEET 2 OF 2