

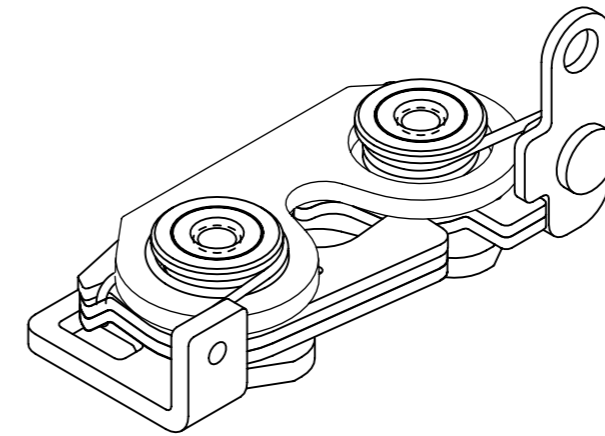
R4-30-2 I - 10 B - M

REVISION HISTORY			
REV	DATE	BY	DESCRIPTION
B	02APR2021	ABK/VK	PRN: P2021-0654

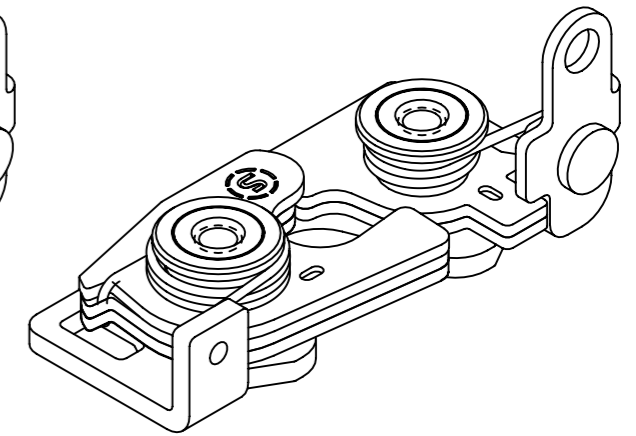
I MOUNTING OPTION
 0 6.7 mm THRU HOLE
 1 1/4-20 THREAD
 2 M6 THREAD

B LATCHING
 1 STANDARD
 5 INTEGRATED BUMPER

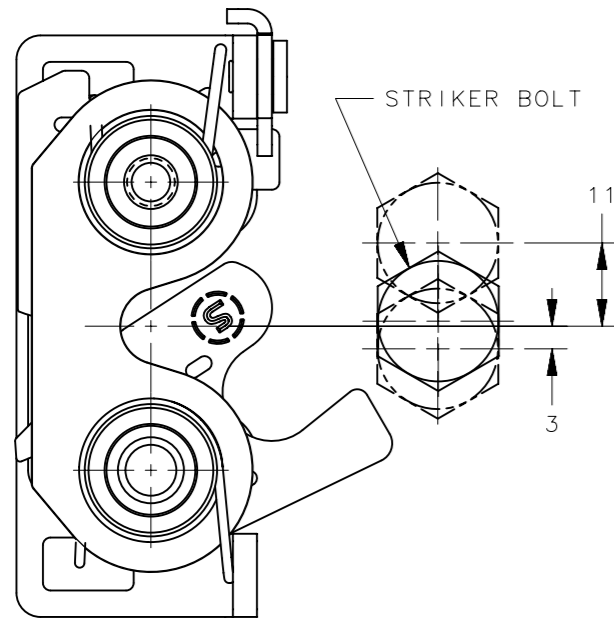
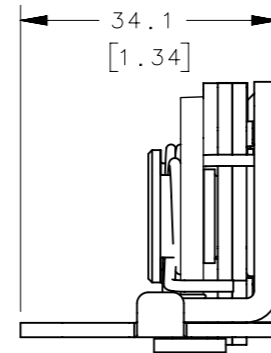
M MATERIAL
 20 STAINLESS STEEL, PASSIVATED



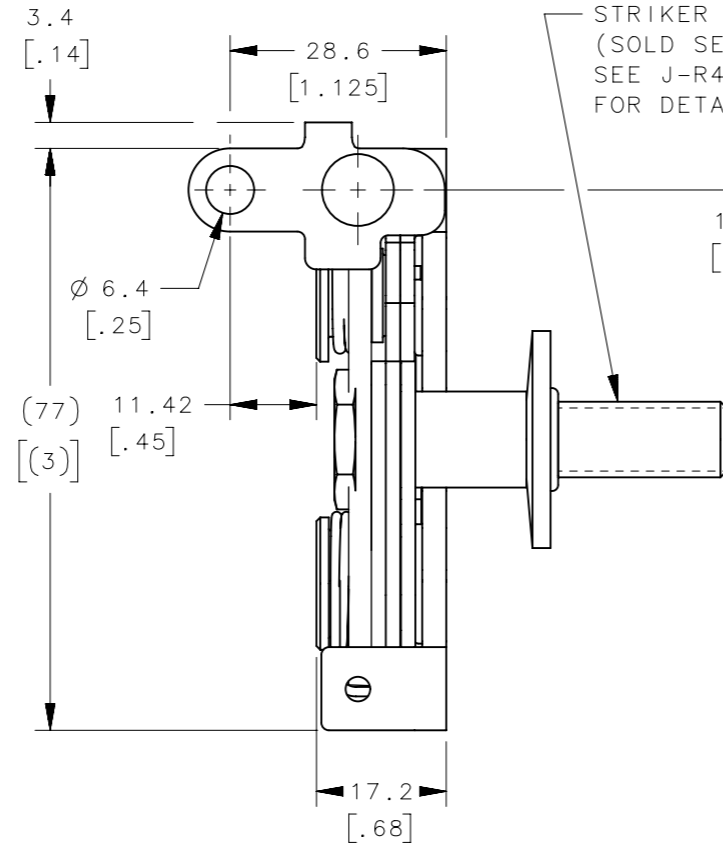
R4-30-2 I-105-20
(INTEGRATED BUMPER)



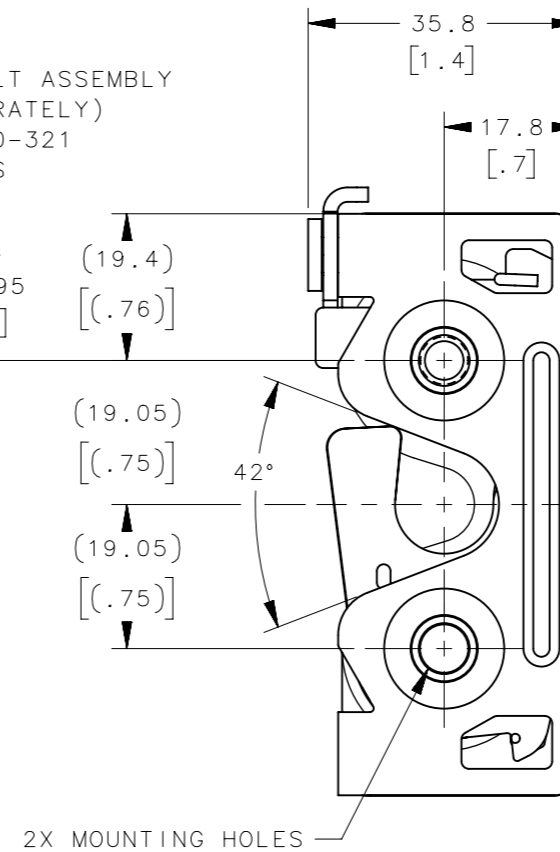
R4-30-2 I-101-20
(STANDARD)



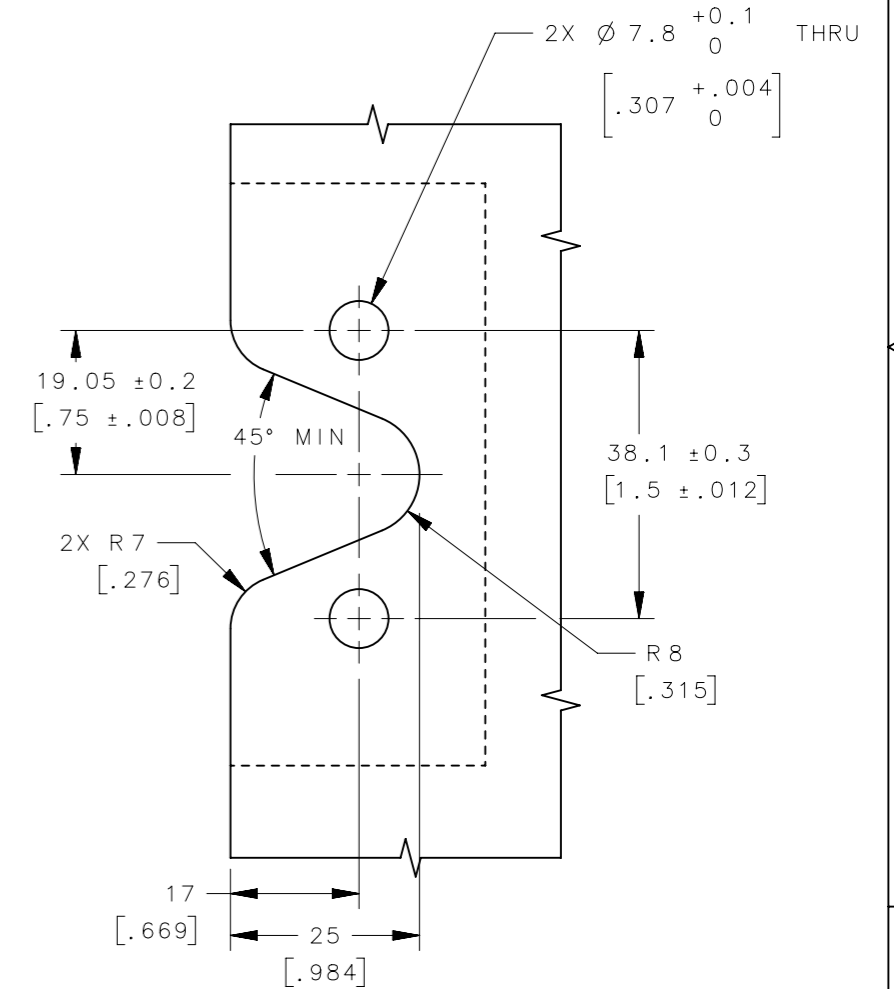
MISALIGNMENT VIEW
(SEE NOTE 2)



STRIKER BOLT ASSEMBLY
(SOLD SEPARATELY)
SEE J-R4-90-321
FOR DETAILS



2X MOUNTING HOLES



PANEL PREPARATION

NOTES:

- MATERIAL AND FINISH:**
 A. HOUSING, LEVER AND INTERNAL COMPONENTS:
 STAINLESS STEEL, PASSIVATED
 B. PAWL AND TRIGGER: STAINLESS STEEL, PASSIVATED
 C. SPRINGS: STAINLESS STEEL, PASSIVATED
- THE MISALIGNMENT VIEW ASSUMES THE LATCH IS CONNECTED TO A PERFECTLY RIGID DOOR AND HINGE; THEREFORE, THERE IS NO DOOR AND/OR HINGE SLACK ASSOCIATED WITH THESE DIMENSIONS, THE MISALIGNMENT VIEW DOES NOT TAKE FLEXING OF THE STRIKER BOLT INTO ACCOUNT.
- SAME AS R4-4X-101-20 EXCPET SINGLE STAGE.

THIRD ANGLE PROJECTION						
MILLIMETERS [IN]	DESCRIPTION					
TOLERANCES UNLESS OTHERWISE NOTED	R4 LATCH ASSEMBLY - PERPENDICULAR LH, SS, SINGLE STAGE					
ALL DIMENSIONS WITHOUT TOLERANCES ARE FOR REFERENCE ONLY	SIZE	SYSTEM	DWG NO.	DESCRIPTION		
PER ASME Y14.5M-1994	A3	NX	J-R4-30-20-101-20	R4 LATCH ASSEMBLY - PERPENDICULAR LH, SS, SINGLE STAGE		
PROPRIETARY ITEM	DRAWN BY	DATE	SCALE	SHEET		
EXCEPT FOR USES EXPRESSLY GRANTED IN WRITING, INFORMATION DISCLOSED HEREON IS CONFIDENTIAL AND ALL RIGHTS, PATENT AND OTHERWISE, ARE RESERVED BY SOUTHCO, INC.	RKS/VK	11DEC2019	1:1	1 OF 1		