

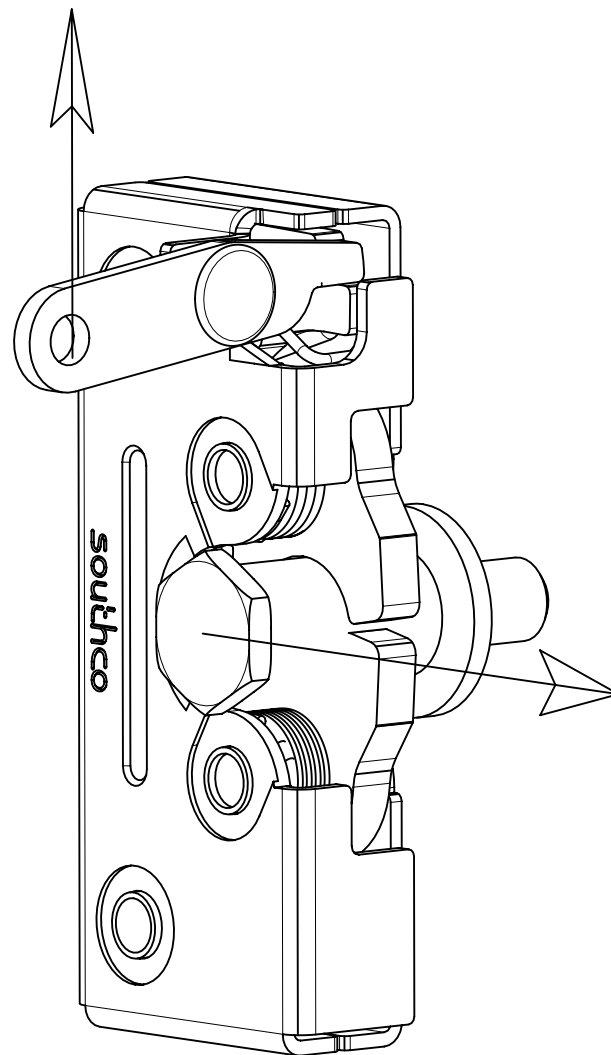
SOUTHCO PERFORMANCE GUIDELINES

THE PERFORMANCE GUIDELINES SHOWN ON THIS PAGE ARE SUPPLIED AS A GENERAL GUIDE ONLY, AS CONDITIONS VARY WITH EACH APPLICATION AND METHOD OF INSTALATION. STRENGHT DATA GIVEN IS FOR FAILURE OF THE PRODUCT OR FOR SUFFICIENT DEFORMATION TO MAKE THE PRODUCT INOPERABLE. NO SAFETY FACTOR HAS BEEN APPLIED. IT IS RECOMMENDED THAT THE USER REQUEST A PRODUCT SAMPLE FOR TESTING TO DETERMINE THE SUITABILITY OF THE PRODUCT FOR THE PURPOSE INTENDED AND USER'S PARTICULAR APPLICATION .

REVISION HISTORY

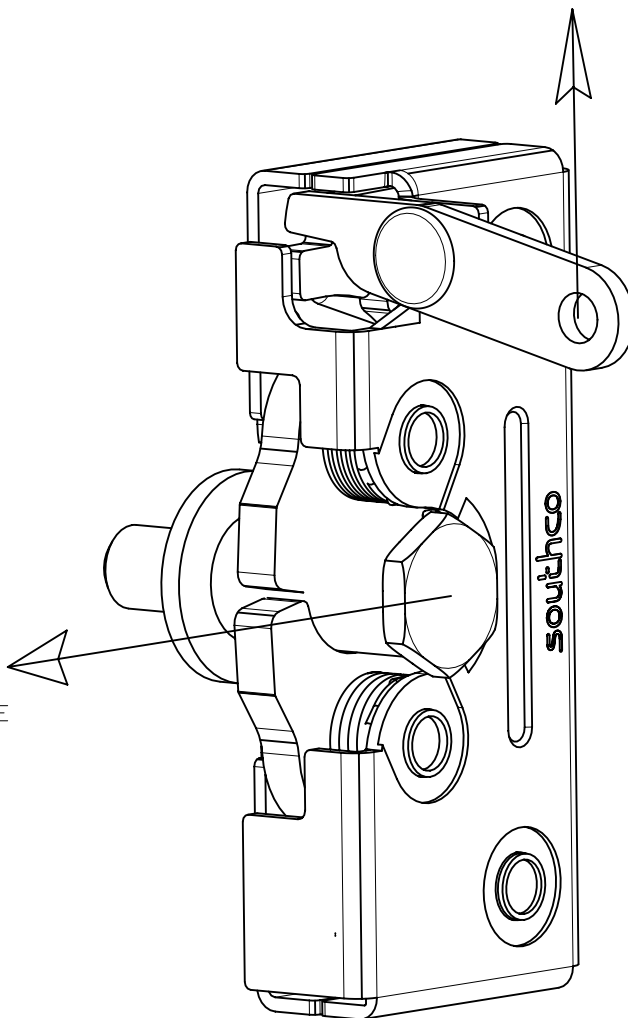
REV	DATE	BY	DESCRIPTION
E	14SEP2023	PBJ/VK	PRN: P2023-1723

DIRECTION OF ACTUATION FORCE



R4-50-4X-101-10  
LEFT HAND

DIRECTION OF ACTUATION FORCE



R4-50-3X-101-10  
RIGHT HAND

DIRECTION OF TRANSVERSE LOAD AND GASKET FORCE

Performance values for R4-50-XX-101-10

GASKET FORCE	AVERAGE FORCE REQUIRED TO ACTUATE (OPEN) LATCH OVER 110k CYCLES * See Note 3	AVERAGE TRANSVERSE LOAD LATCH WITHOUT STRIKER	AVERAGE TRANSVERSE LOAD WITH STRIKER SEE NOTE 5	CYCLE LIFE * See Notes 3
222 N (50 LBF)	129 N (29.0 LBF)	18000 N (4047 LBF)	10000 N (2248)	110000

1. ACTUATION FORCE TESTS AND CYCLE TESTS WERE PERFORMED WITH PART NUMBERS R4-50-30-101-10 AND R4-50-40-101-10.
2. AVERAGE TENSILE FORCE BEFORE LATCH FAILURE OR STRIKER PULL-OUT COMPLIES WITH FMVSS 206 STANDARD, REVISION TP-206-06: TANSVERSE LOAD TESTING.
3. CYCLE AND TENSILE TESTS WERE PERFORMED WITH THE STRIKER AT THE NOMINAL LATERAL POSITION FOR 110000 CYCLES.
4. SINGLE STAGE LATCHES CANNOT BE USED FOR FMVSS COMPLIANT APPLICATIONS
5. TEST COMPELETED USING SOUTHCO STRIKER R4-90-4101-10

NOTE :

SOUTHCO LATCHES USED IN A PASSENGER RESTRAINT SYSTEM MUST BE FULLY TESTED IN THE DOOR SYSTEM.

SOUTHCO R4-50-XX-1X1-10 TWO STAGE LATCHES MAY BE USED IN A CERTIFIED FMVSS 206 DOOR SYSTEM ONLY WHEN USED WITH A SOUTHCO DOOR STRIKER BOLTS. SEE J-R4-90-400 FOR DETAILS.

REF.: trR4-78, trR4-8701, trR4-46364, and trR4-1130851

	THIRD ANGLE PROJECTION	<b>southco</b> <sup>®</sup> CONNECT · CREATE · INNOVATE	
	MILLIMETERS [IN]		
SURFACE AREA	TOLERANCES UNLESS OTHERWISE NOTED	DESCRIPTION PUSH TO CLOSE LATCH R4	
VOLUME	UP TO 0.5 ±0.05 OVER 0.5 UP TO 6 ±0.1 OVER 6 UP TO 30 ±0.2 OVER 30 ±0.3 ANGLES ±1°	SIZE B	SYSTEM NX
PROPRIETARY ITEM <small>EXCEPT FOR USES EXPRESSLY GRANTED IN WRITING, INFORMATION DISCLOSED HEREON IS CONFIDENTIAL AND ALL RIGHTS, PATENT AND OTHERWISE, ARE RESERVED BY SOUTHCO, INC.</small>	PER ASME Y14.5M-1994	DWG NO. TD-R4-50-J	DATE 16FEB2009
		DRAWN BY MJR/CMK	SCALE 1:1
			SHEET 1 OF 1