

REVISION HISTORY			
REV	DATE	BY	DESCRIPTION
H	15MAR2018	CBI/DMS	PRN: P2018-0655

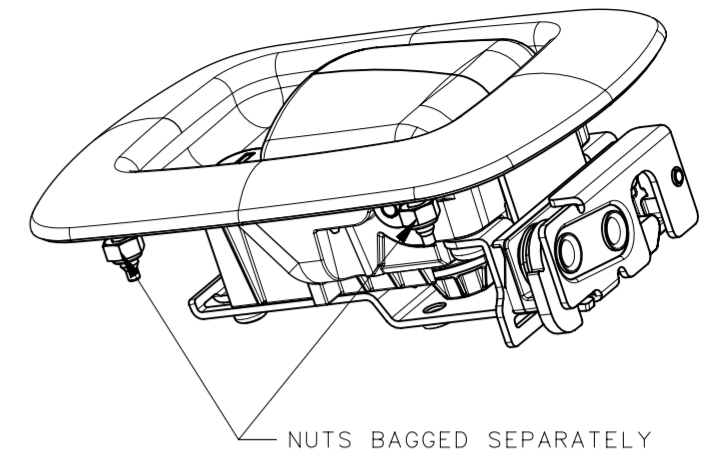
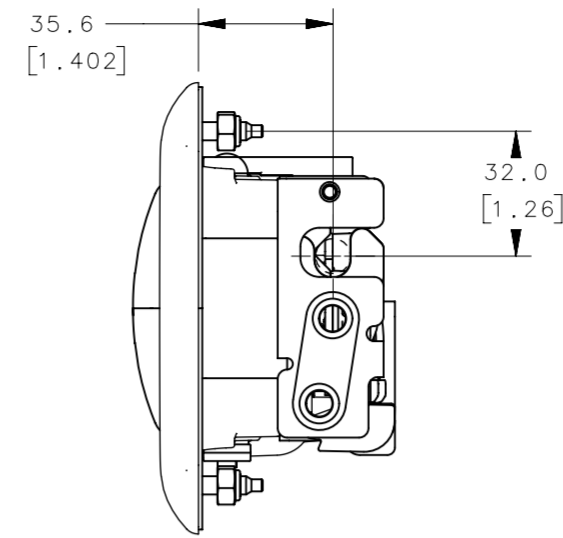
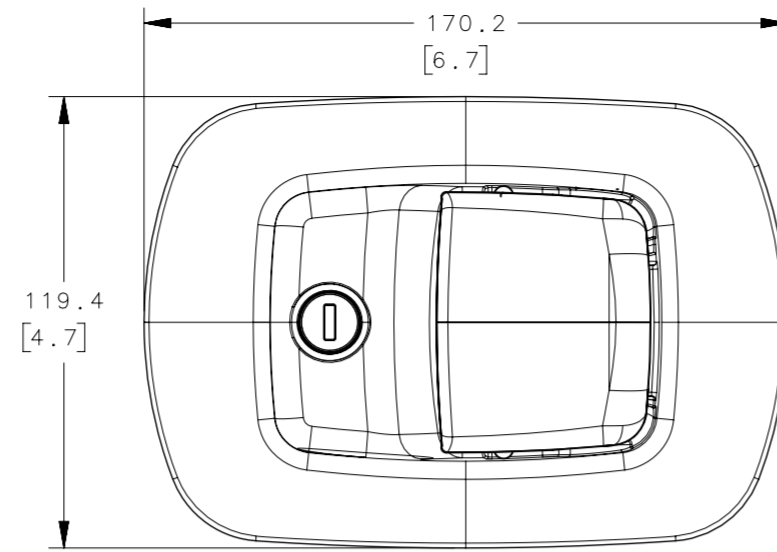
PART NUMBER: R4-81-SL1-PP-KC

- S = LATCH STAGE AND BUMPER OPTIONS
 2= SINGLE STAGE
 4= TWO STAGE
 6= SINGLE STAGE WITH INTEGRATED BUMPER
 8= TWO STAGE WITH INTEGRATED BUMPER

- L = LOCKING OPTIONS
 1 - REVERSIBLE KEY (R001), NO KEYS INCLUDED
 2 - REVERSIBLE KEY (R001), 2 KEYS INCLUDED
 3 - REVERSIBLE KEY (MULTIPLE KEYCODES), 2 KEYS INCLUDED
 4 - STANDARD KEY (CH751), NO KEYS INCLUDED
 5 - STANDARD KEY (CH751), 2 KEYS INCLUDED
 6 - STANDARD KEY (MULTIPLE KEYCODES), 2 KEYS INCLUDED
 9 - NO LOCKPLUG INSTALLED

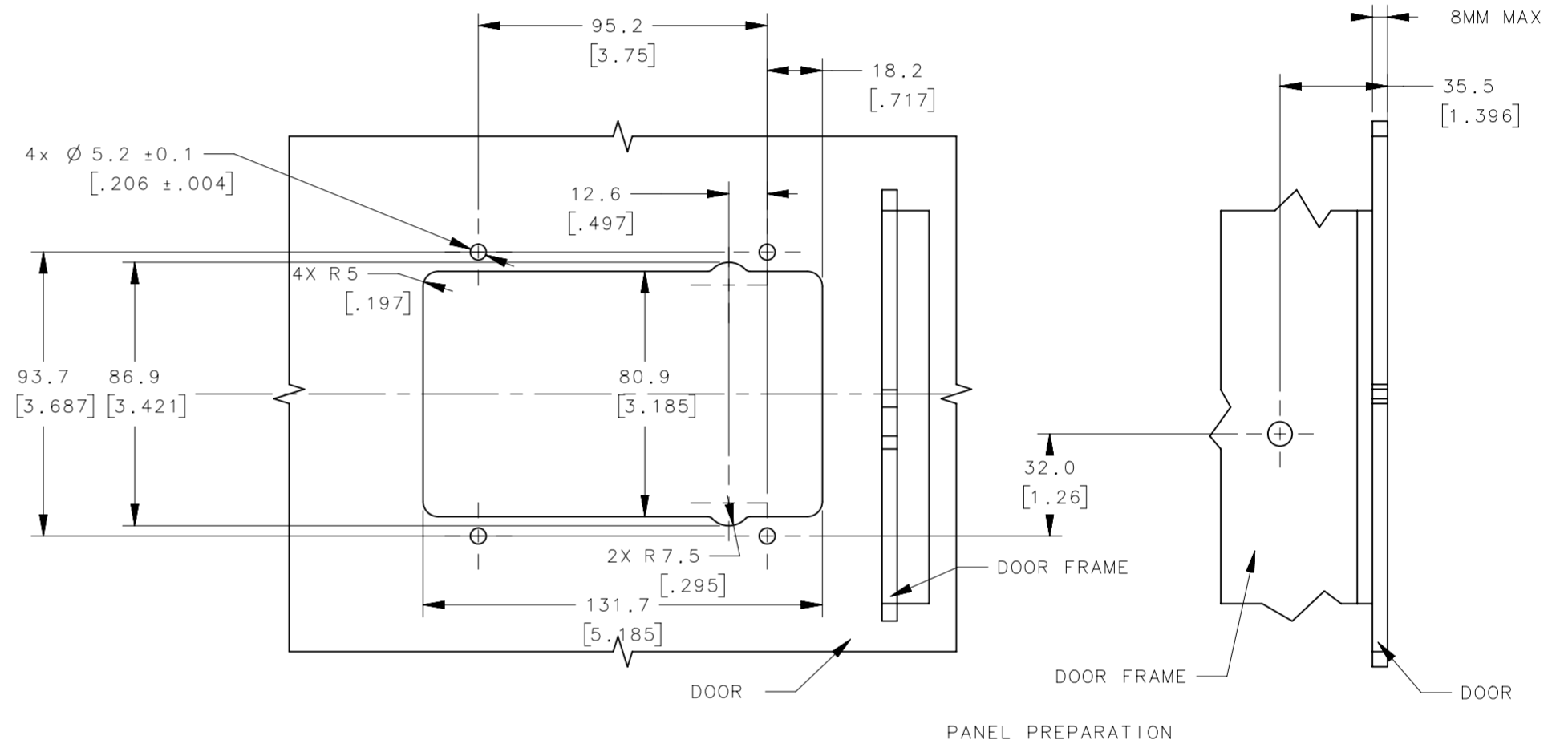
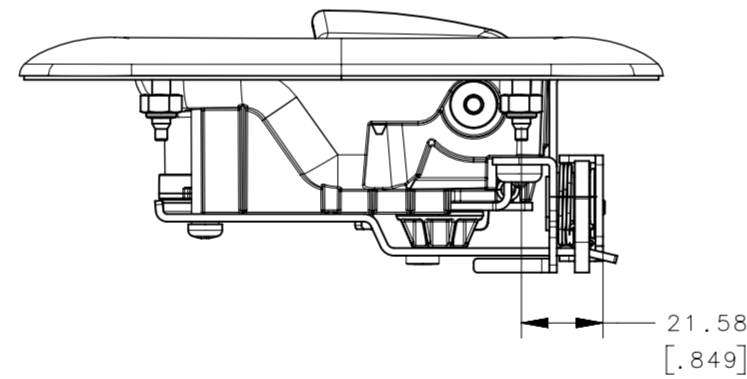
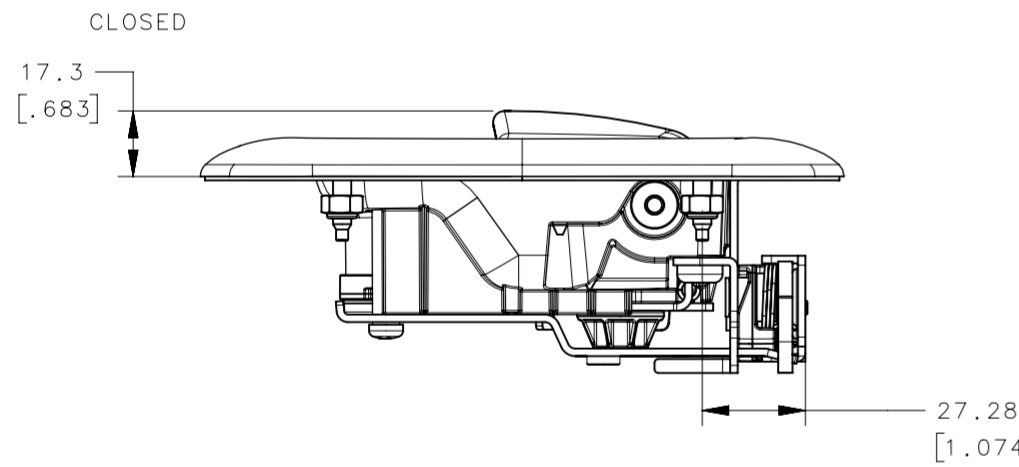
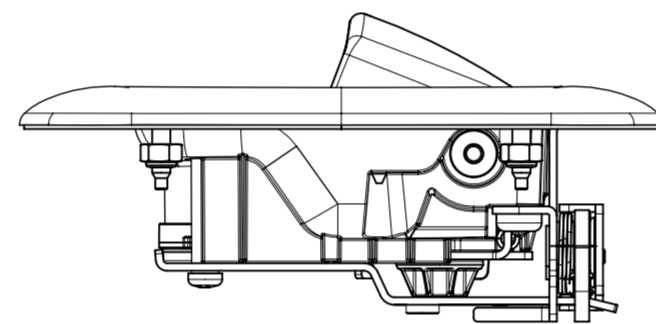
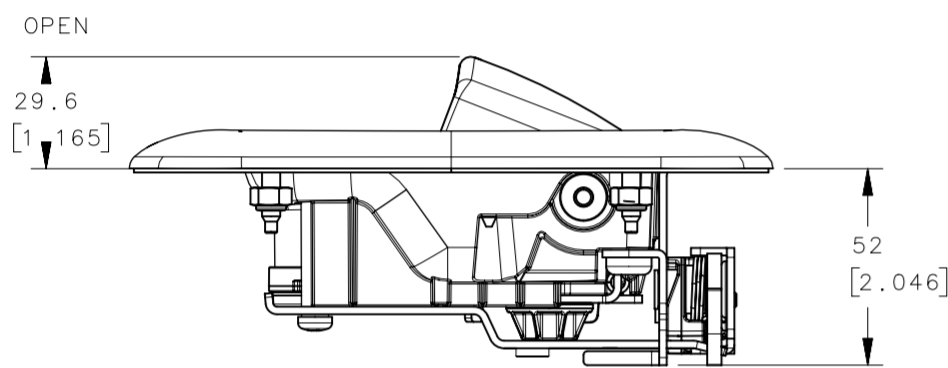
- PP = PADDLE FINISH OPTIONS
 30 - POLISHED CHROME PADDLE
 50 - BLACK POWDER COAT PADDLE

- KC = KEY CODE OPTIONS
 KD10 - KEYED DIFFERENTLY, 10 CODES (ONLY USED IF L= 3 OR 6)
 MK10 - MASTER KEYED, KEYED DIFFERENTLY, 10 CODES (ONLY USED IF L= 6)



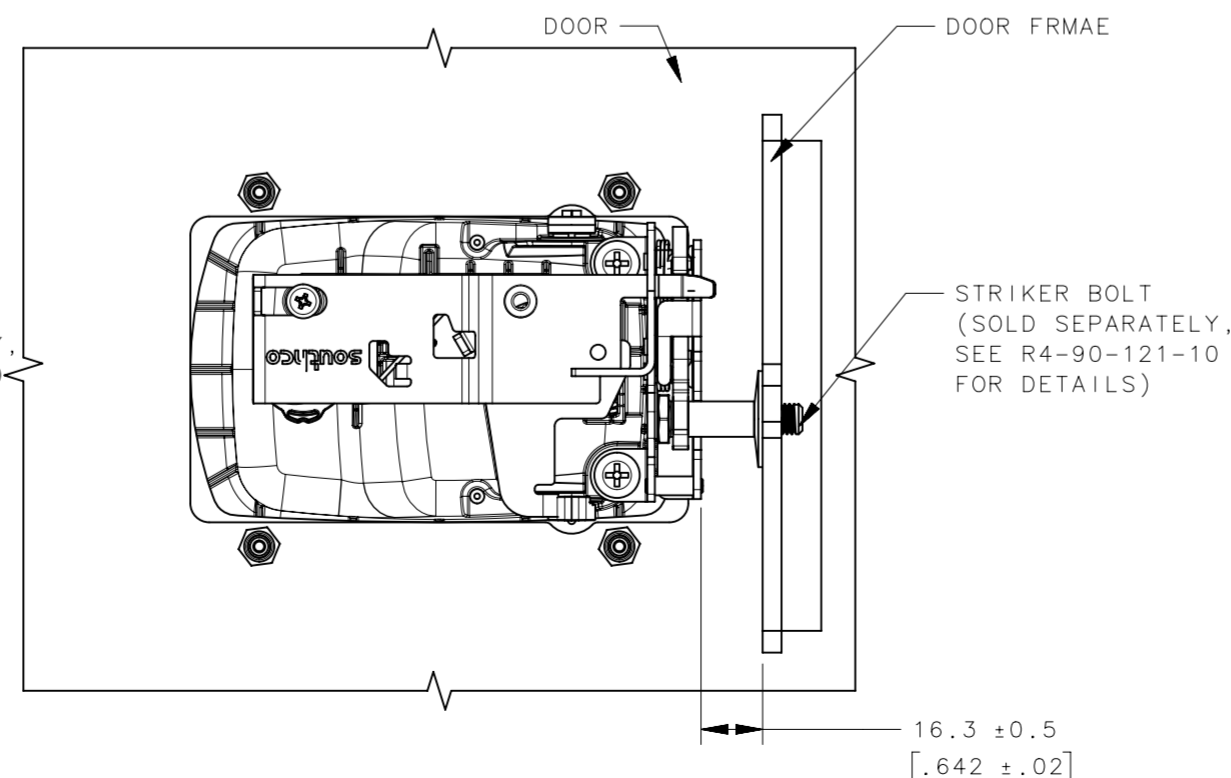
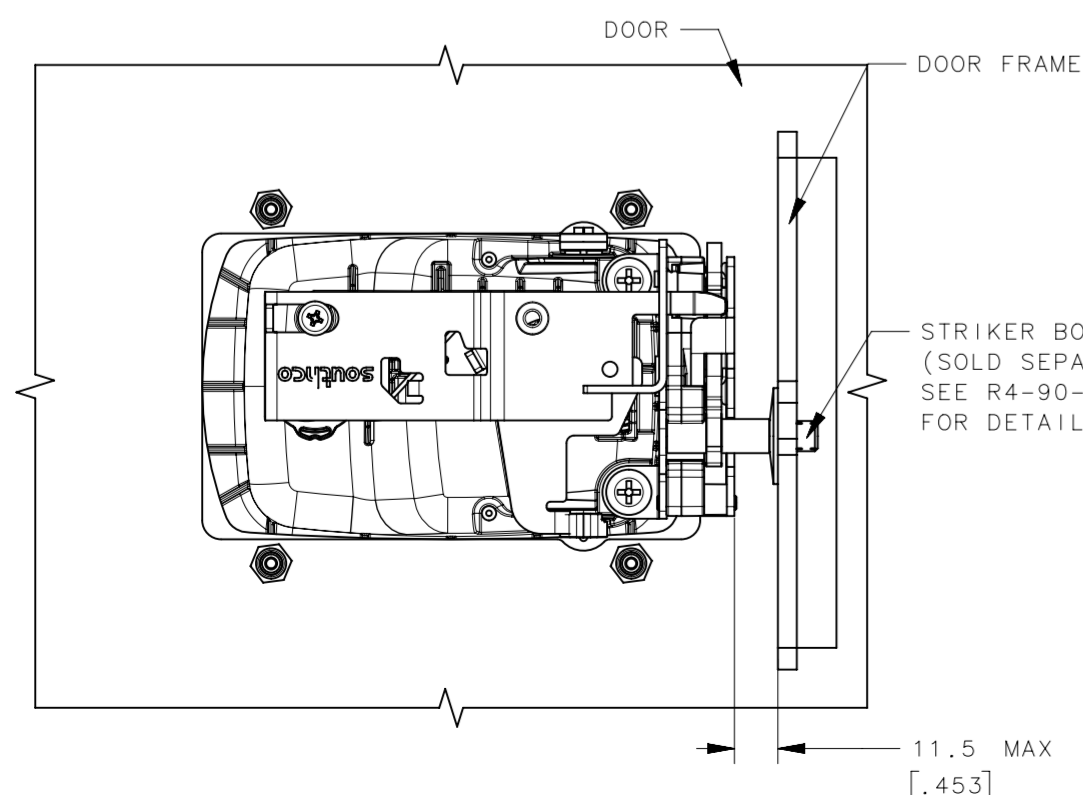
LATCH WITH INTEGRATED BUMPER OPTION

STANDARD LATCH WITHOUT BUMPER OPTION



NOTES:

- A: FOR KC=MK10, MASTER KEY PART NUMBER:PK-24-01
- B: INSTALLATION TORQUE OF MOUNTING NUTS NOT TO EXCEED 3N.m
- C: MATERIAL AND FINISH
 CUP: NYLON;BLACK
 PADDLE: ZAMAC 3; FINISH OPTIONS
 SLIDE: STEEL; ZINC PLATE; BRIGHT CHROMATE PLUS SEALER
 PIN: STEEL; ZINC PLATE
 LINK LEVER:STEEL;ZINC PLATE; BRIGHT CHROMATE PLUS SEALER
 ROCKER ARM:STEEL;ZINC PLATE; BRIGHT CHROMATE PLUS SEALER
 PADDLE ARM: ZAMAC 3 ;PASSIVATED
 PADDLE ARM CAP: ZAMAC 3 ;PASSIVATED
 O-RING: NITRILE; BLACK
 SCREWS: STEEL;ZINC PLATE; BRIGHT CHROMATE PLUS SEALER
 TORSION SPRING OF SLIDE: MUSIC SPRING ;NATURAL
 COMPRESSION SPRING: STAINLESS STEEL;PASSIVATED
 GASKET: FOAM;BLACK
 NUT: STEEL;ZINC PLATE
 BUMPER: EPDM;BLACK
 RETAINER: POM; BLACK



THIRD ANGLE PROJECTION		 CONNECT · CREATE · INNOVATE	
MILLIMETERS [IN]			
TOLERANCES UNLESS OTHERWISE NOTED		DESCRIPTION	
ALL DIMENSIONS WITHOUT TOLERANCES ARE FOR REFERENCE ONLY.		ROTARY PADDLE LATCH ASSEMBLY	
PROPRIETARY ITEM EXCEPT FOR USES EXPRESSLY GRANTED IN WRITING, INFORMATION DISCLOSED HEREON IS CONFIDENTIAL AND ALL RIGHTS, PATENT AND OTHERWISE, ARE RESERVED BY SOUTHCO, INC.	PER ASME Y14.5M-1994	SIZE SYSTEM A2 NX	DWG NO. J-R4-81
		DRAWN BY SX/BX	DATE 02JUL2015
		SCALE 1:1	SHEET 1 OF 1