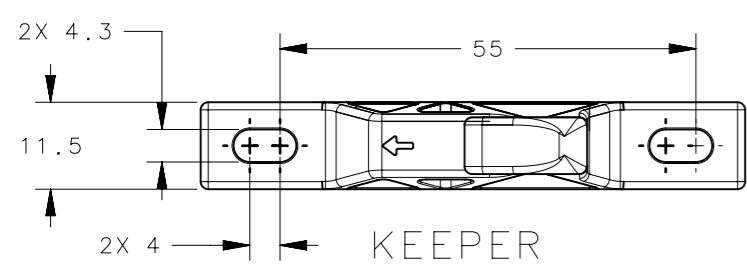
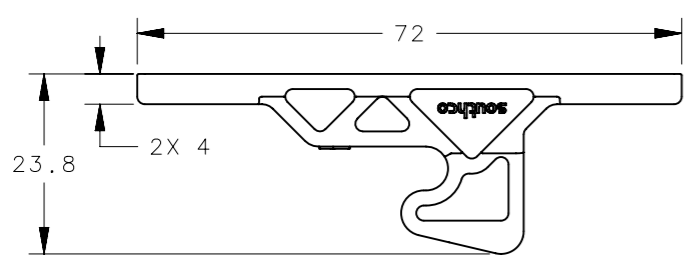
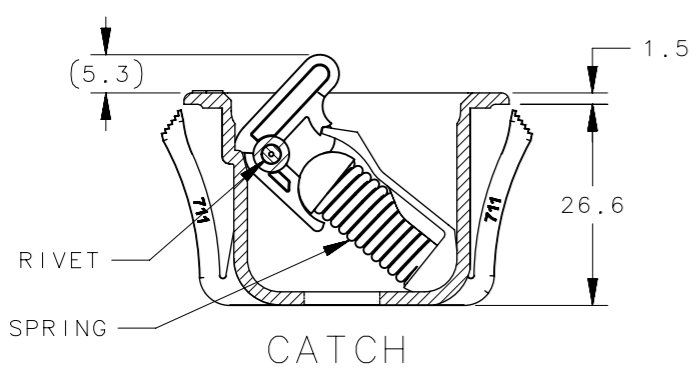
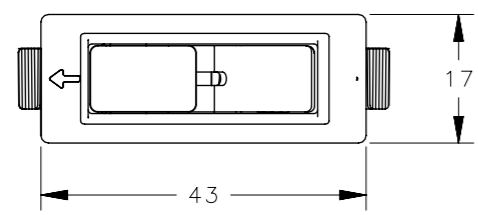


REVISION HISTORY			
REV	DATE	BY	DESCRIPTION
F	30APR2021	KSH/VK	PRN: P2021-0875



BE SURE THE ARROW ON THE KEEPER AND THE HOUSING ARE POINTING IN THE SAME DIRECTION DURING INSTALLATION

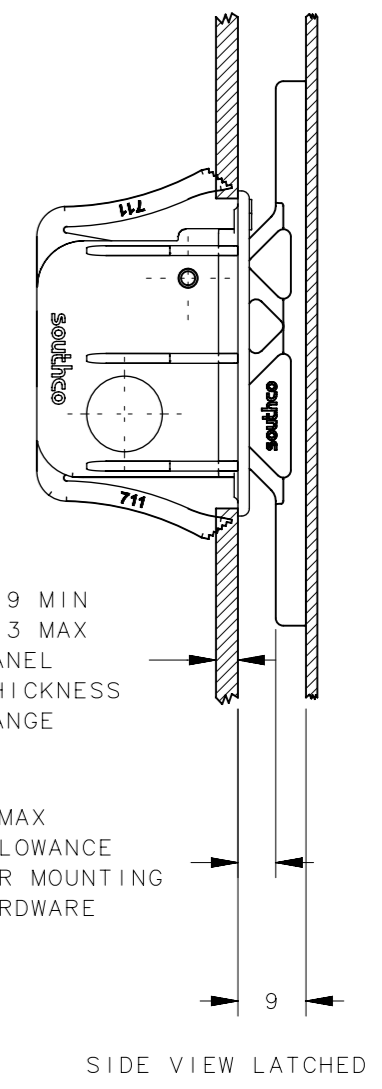
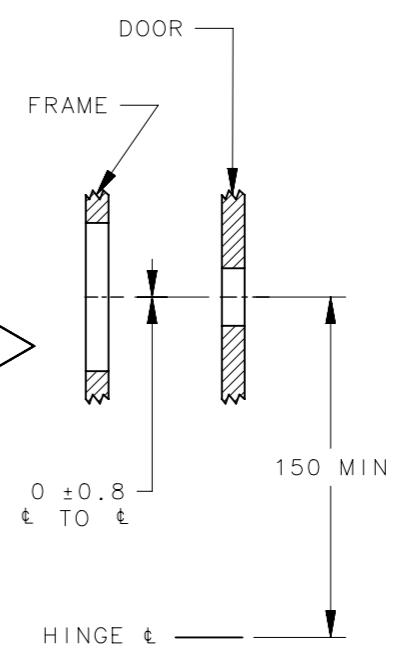
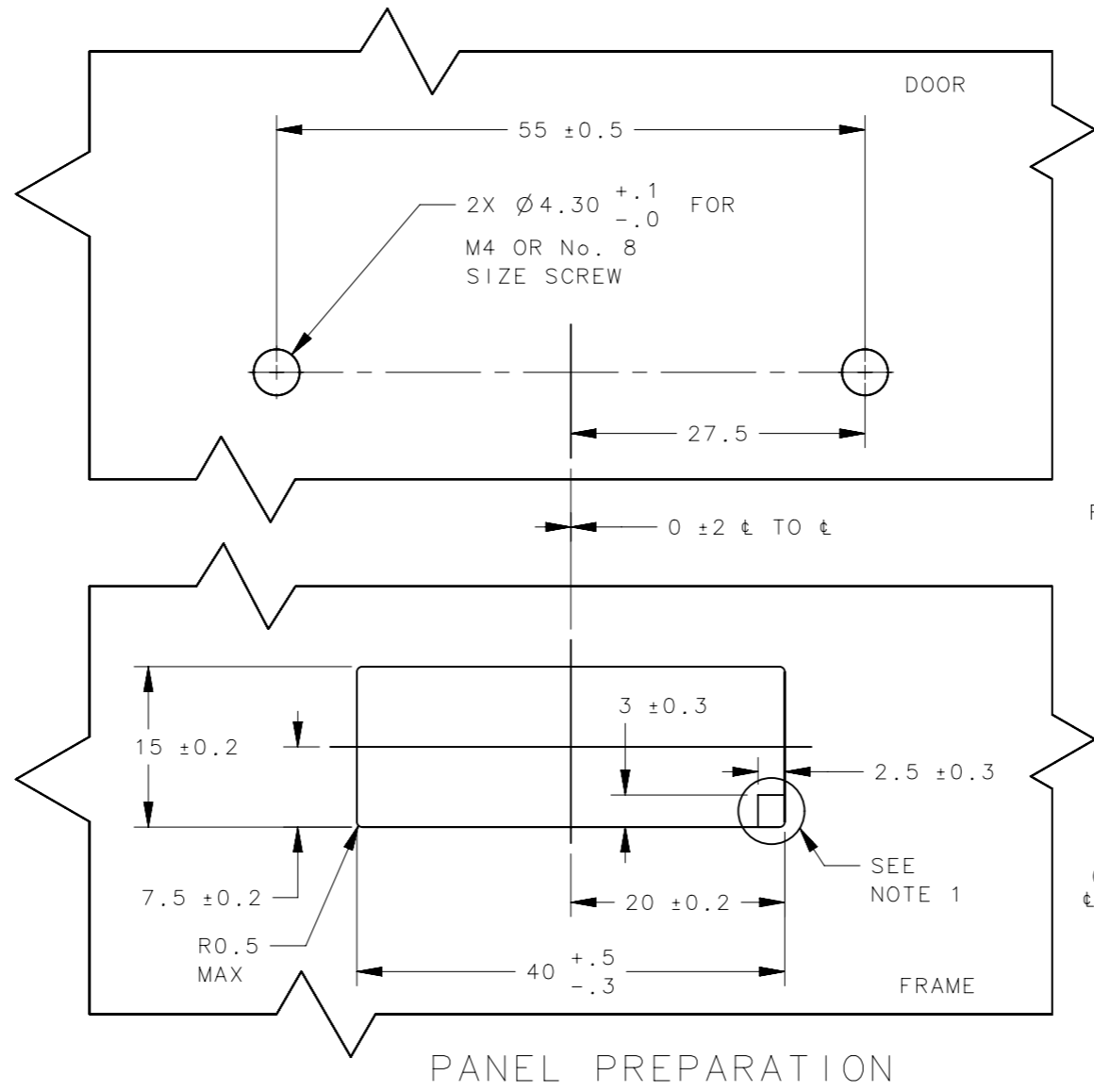


NOTE:
1. THIS FEATURE IS TO ACCOMMODATE OPTIONAL ONE WAY INSTALLATION.

PACKAGING NOTE:
CATCH AND KEEPER SHIPPED SEPARATELY, BULK FOR CATCH AND KEEPER PACKAGED ONE PER BAG, ADD -P TO PART NUMBER. EXAMPLE: C3-503-2-P

INSTALLATION INSTRUCTIONS:
SNAP CATCH INTO FRAME. MOUNT KEEPER TO DOOR AND ADJUST FOR SMOOTH LATCHING.

MATERIAL AND FINISH:
RIVET: 5056 ALUMINUM, NATURAL.
HOUSING: GLASS FILLED NYLON, BLACK OR WHITE
SPRING: 302 STAINLESS STEEL (22N ASSY'S PASSIVATED, 13N AND 44N ASSY'S PASSIVATED BLACK OXIDE)
KEEPER: MINERAL FILLED NYLON, BLACK OR WHITE
OTHER COMPONENTS: GLASS FIBER REINFORCED NYLON



CPB NUMBER	STANDARD	THIRD ANGLE PROJECTION	DESCRIPTION	SIZE	SYSTEM	DWG NO.
C3-510-2	ASSEMBLY	WHITE	44N	A3	NX	J-C3-5
C3-505-2	ASSEMBLY	WHITE	22N			
C3-503-2	ASSEMBLY	WHITE	13N			
C3-510	ASSEMBLY	BLACK	44N			
C3-505	ASSEMBLY	BLACK	22N			
C3-503	ASSEMBLY	BLACK	13N			
PART NUMBER	TYPE OF COMPONENT	FINISH	PULL - UP FORCE			

southco
 CONNECT • CREATE • INNOVATE

C3 SNAP - IN GRABBER™ CATCH FOR PANELS 2.9 - 5.3mm THICK

PER ASME Y14.5M-1994
 DRAWN BY LBZ
 DATE 25JAN1994
 SCALE 1:1
 SHEET 1 OF 1