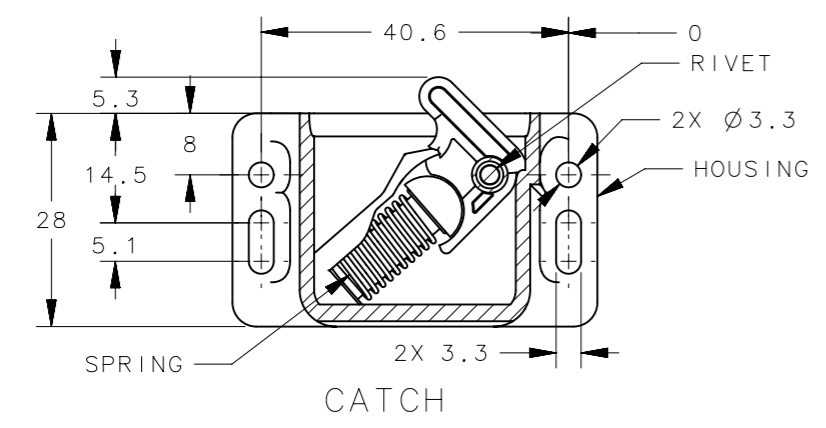
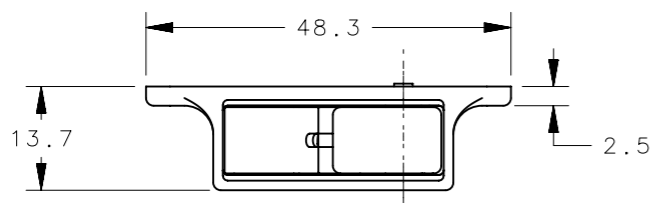
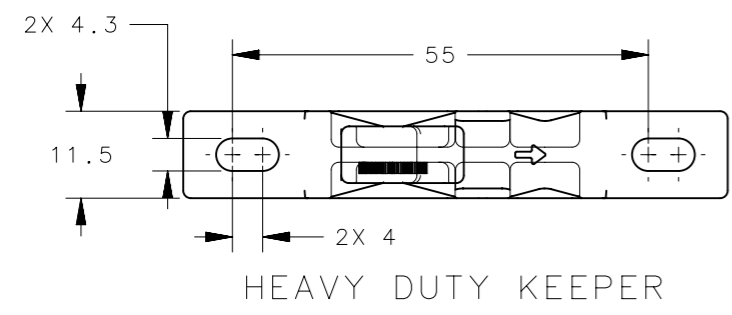
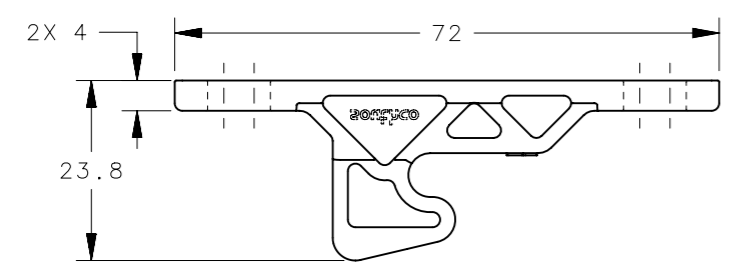
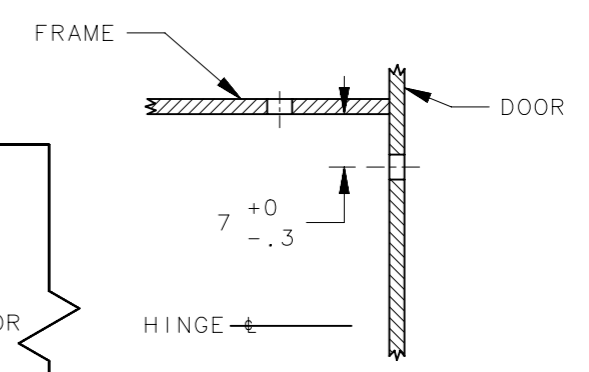
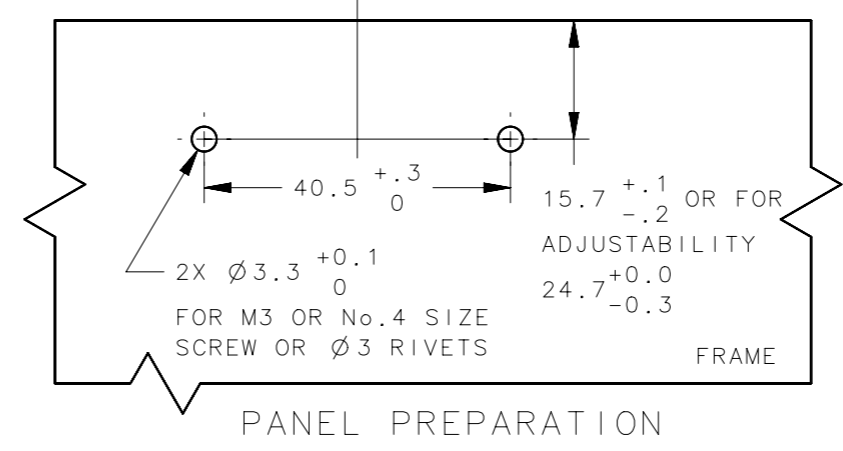
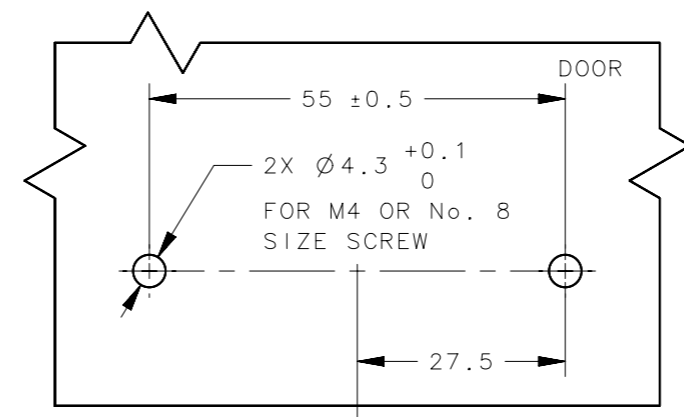
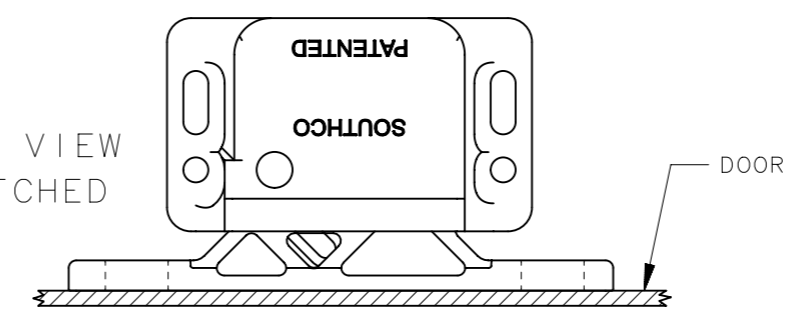


REVISION HISTORY			
REV	DATE	BY	DESCRIPTION
K	30APR2021	KSH/VK	PRN: P2021-0875



SIDE VIEW LATCHED



PANEL PREPARATION TOP VIEW

1. PACKAGING NOTES:

- A. CATCH AND KEEPER SHIPPED SEPERATELY, BULK.
- B. FOR CATCH AND KEEPER PACKAGED ONE PER BAG, ADD -P TO PART NUMBER. EXAMPLE: C3-803-P. FOR CATCH AND KEEPER PACKAGED 5 PER BAG, ADD -P5 TO PART NUMBER. EXAMPLE: C3-810-P5
- C. ADD A "-W" FOR ASSEMBLIES WITH ALL WHITE COMPONENTS. EXAMPLE: C3-810-W
- D. MATERIAL FOR WHITE KEEPER WILL BE GLASS REINFORCED NYLON.
- E. SPRING FINISH:
 C3-803 = PASSIVATED, BLUE ORGANIC COATING
 C3-805 = PASSIVATED
 C3-810 = PASSIVATED, BLACK OXIDE.


2. INSTALLATION INSTRUCTIONS:

- A. MOUNT CATCH TO FRAME
- B. ORIENT KEEPER TO LATCH, MOUNT TO DOOR AND ADJUST FOR SMOOTH LACHING.

3. MATERIAL AND FINISH:

KEEPER: MINERAL FILLED NYLON, BLACK.
 HOUSING: 6F NYLON, BLACK.
 RIVET: ALUMINUM, NATURAL.
 PAWL: GLASS FILLED NYLON, BLACK.
 SPRING: STAINLESS STEEL, FOR FINISH SEE NOTE E.
 SPRING SUPPORT: GLASS FILLED NYLON, BLACK.
 SUPPORT ROD: GLASS FILLED NYLON, BLACK.

PART NUMBER	TYPE OF COMPONENT	PULL - UP FORCE	CATCH	KEEPER
C3-810	ASSEMBLY	44N (10 LBS)	C3-12-10	C3-77
C3-805	ASSEMBLY	22N (5 LBS)	C3-12-05	C3-77
C3-803	ASSEMBLY	13N (3 LBS)	C3-12-03	C3-77

CPB NUMBER	STANDARD	THIRD ANGLE PROJECTION	 CONNECT • CREATE • INNOVATE	
		MILLIMETERS [IN]		
TOLERANCES UNLESS OTHERWISE NOTED			DESCRIPTION	
ALL DIMENSIONS WITHOUT TOLERANCES ARE FOR REFERENCE ONLY.			C3 SCREW MOUNT GRABBER™ CATCH WITH HEAVY DUTY KEEPER	
PROPRIETARY ITEM	PER ASME Y14.5M-1994	SIZE A3	SYSTEM NX	DWG NO. J-C3-8
EXCEPT FOR USES EXPRESSLY GRANTED IN WRITING, INFORMATION DISCLOSED HEREON IS CONFIDENTIAL AND ALL RIGHTS, PATENT AND OTHERWISE, ARE RESERVED BY SOUTHCO, INC.		DRAWN BY LBZ	DATE 13MAY1994	SCALE 1:1 SHEET 1 OF 1