

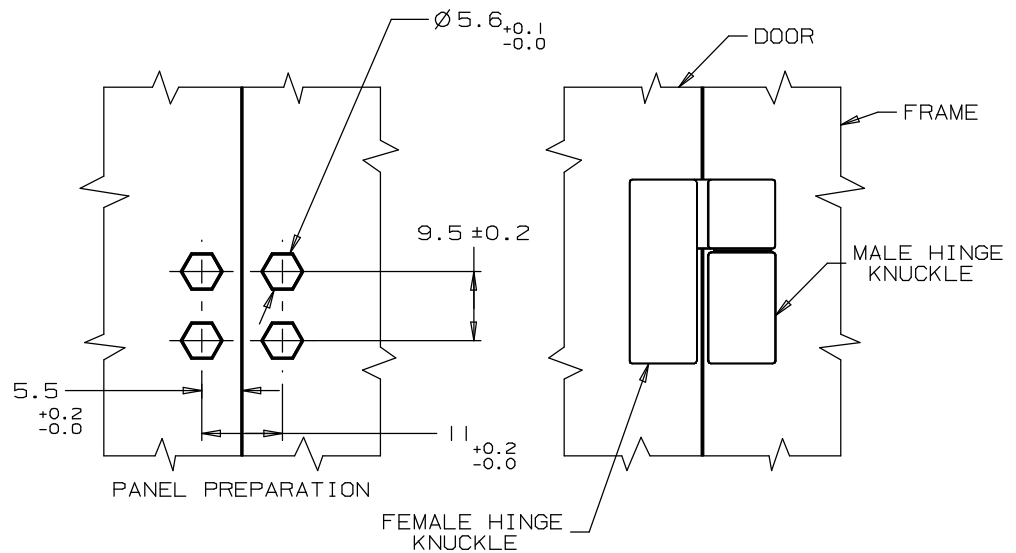
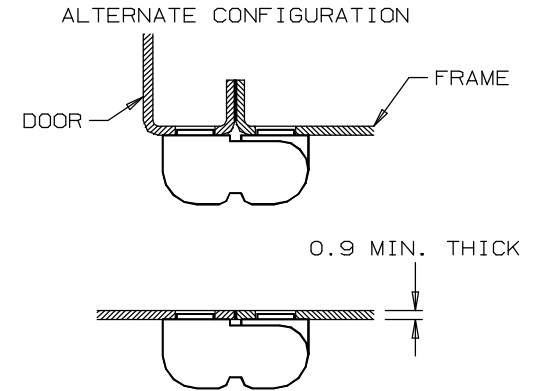
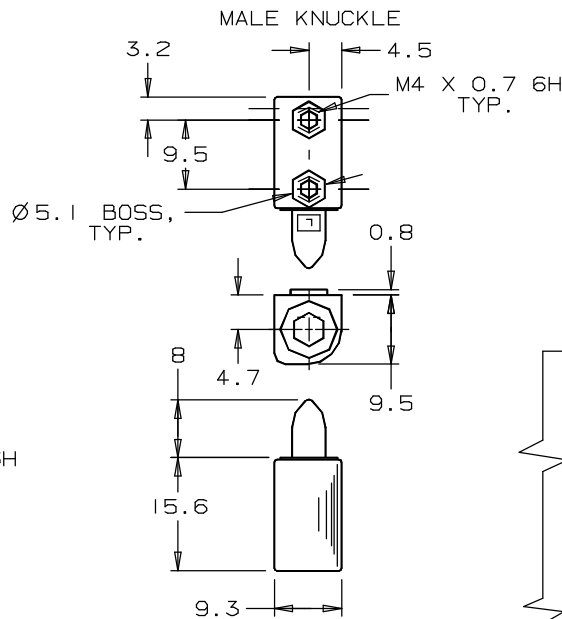
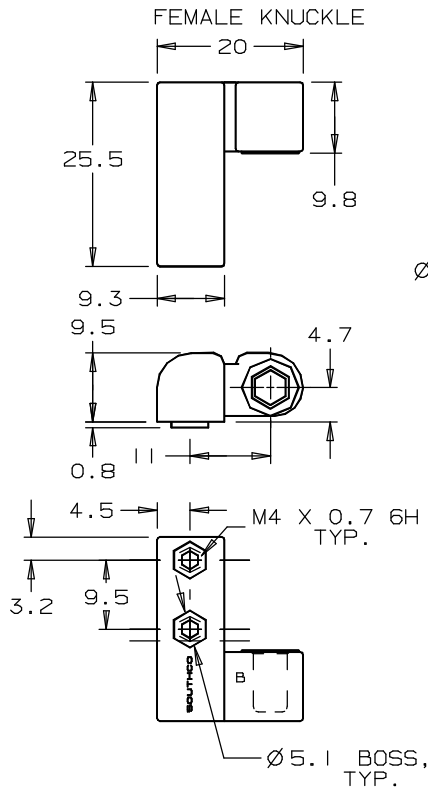


SOUTHCO MINIATURE LIFT-OFF HINGE
TYPE-B OFFSET; M4 THREAD

DATE	DRAWN	CHKD	SCALE	DRAWING NUMBER
14 AUG 92	JAD		1:1	J-96-142

REV.	DATE	BY-CHKD	REVISIONS	ITEM	COMPONENT	PART NO.	MATERIAL	FINISH
A	20 OCT 92	JGK	PRN: 96-50	ASSEMBLY		96-142		
B	09OCT96	SWD	PRN: S-93-23		MALE KNUCKLE		DIE CAST ZINC	BLACK POWDER COATED
					FEMALE KNUCKLE		DIE CAST ZINC	BLACK POWDER COATED

- NOTES:
 1. ATTACH WITH M4 X 0.7 6g SCREWS.
 MAX. SCREW LENGTH IS DOOR OR
 FRAME THICKNESS PLUS 5 mm.
 2. TOLERANCE ON ENVELOPE DIMENSIONS
 IS ±0.4 mm.



FORMAT A 3/88

PROPRIETARY ITEM - EXCEPT FOR USES EXPRESSLY GRANTED IN WRITING
 INFORMATION DISCLOSED HEREON IS CONFIDENTIAL AND ALL RIGHTS PATENT
 AND OTHERWISE ARE RESERVED BY SOUTHCO, INC.

DIMENSIONS IN MILLIMETERS
 THIRD ANGLE PROJECTION

DRAWING NUMBER
 J-96-142