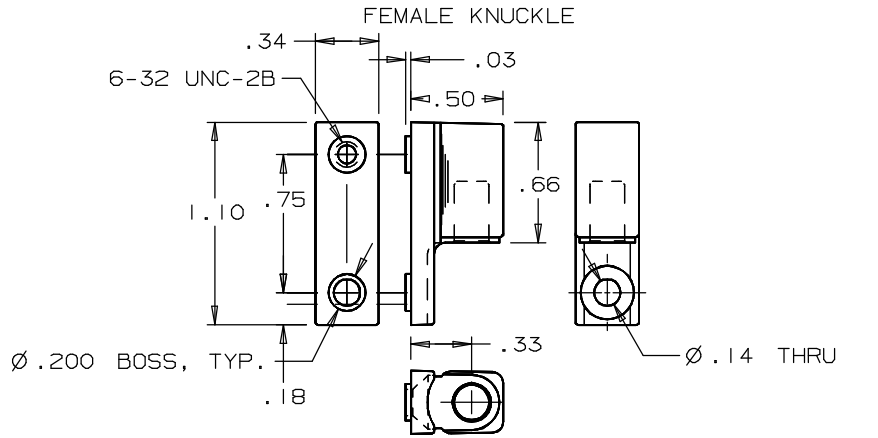




SOUTHCO MINIATURE LIFT-OFF HINGE
IN-LINE; 6-32 THREAD

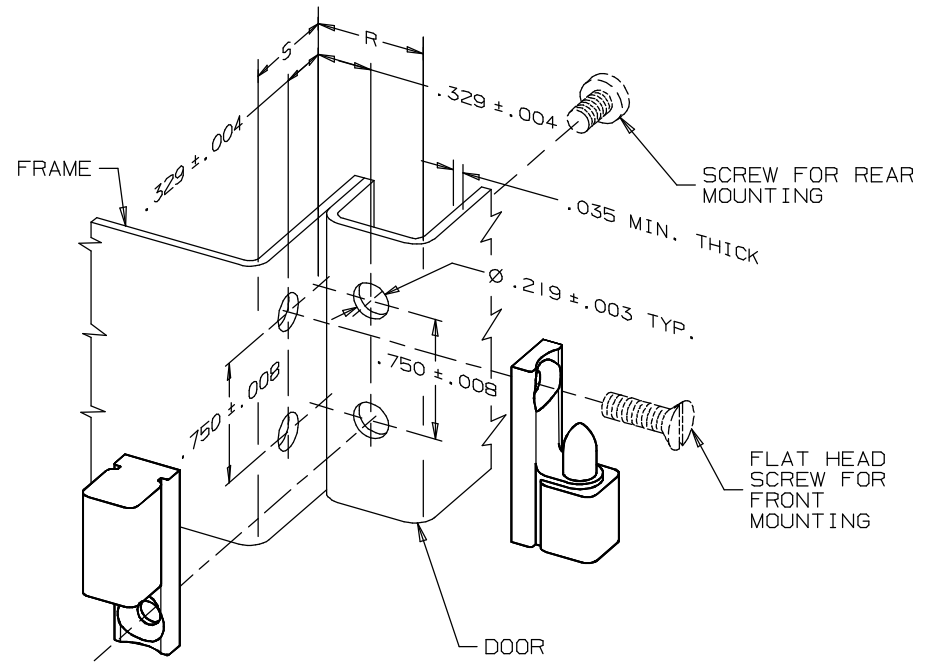
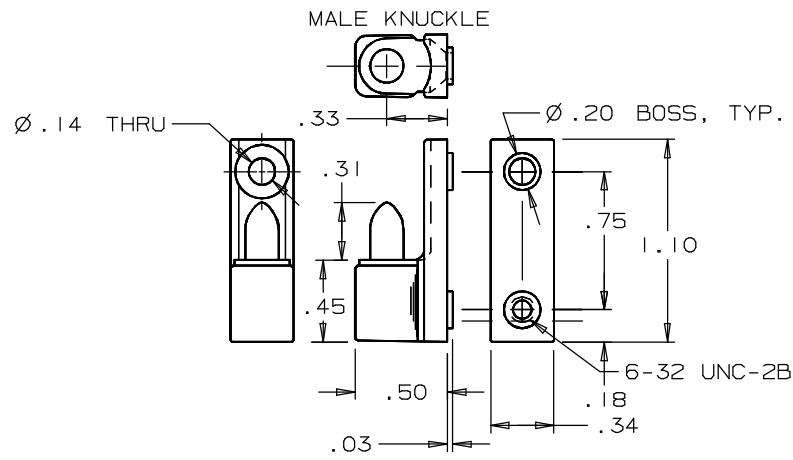
DATE	DRAWN	CHKD	SCALE	DRAWING NUMBER
11/7/89	RES		1:1	J-96-110

REV.	DATE	BY-CHKD	REVISIONS	ITEM	COMPONENT	PART NO.	MATERIAL	FINISH
A	12 FEB. 93	KPL	PRN: S-1-03	ASSEMBLY		96-110		
B	09 OCT 96	SWD	PRN: S-93-23		MALE KNUCKLE		DIE CAST ZINC	BLACK POWDER COATED
					FEMALE KNUCKLE		DIE CAST ZINC	BLACK POWDER COATED



- MOUNTING OPTIONS:**
- a.) FRONT MOUNTING - USE 6-32 UNC-2A FLAT HEAD MACHINE SCREW (ONE PER KNUCKLE)
 - or
 - b.) REAR MOUNTING - USE 6-32 UNC-2A SCREW, MAXIMUM LENGTH IS DOOR OR FRAME THICKNESS PLUS .200. (ONE PER KNUCKLE)

FOR DOOR TO OPEN FULL 180°
 AT LEAST ONE OF THE DIMENSIONS
 R OR S MUST BE LESS THAN .658



FORMATA 3/88

PROPRIETARY ITEM - EXCEPT FOR USES EXPRESSLY GRANTED IN WRITING
 INFORMATION DISCLOSED HEREON IS CONFIDENTIAL AND ALL RIGHTS PATENT
 AND OTHERWISE ARE RESERVED BY SOUTHCO, INC.

TOLERANCES UNLESS OTHERWISE NOTED.
 DECIMALS
 TWO PLACE (.XX) ±.015

DRAWING NUMBER
 J-96-110