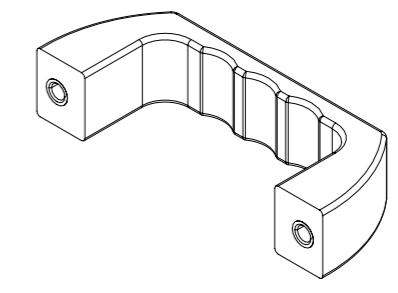
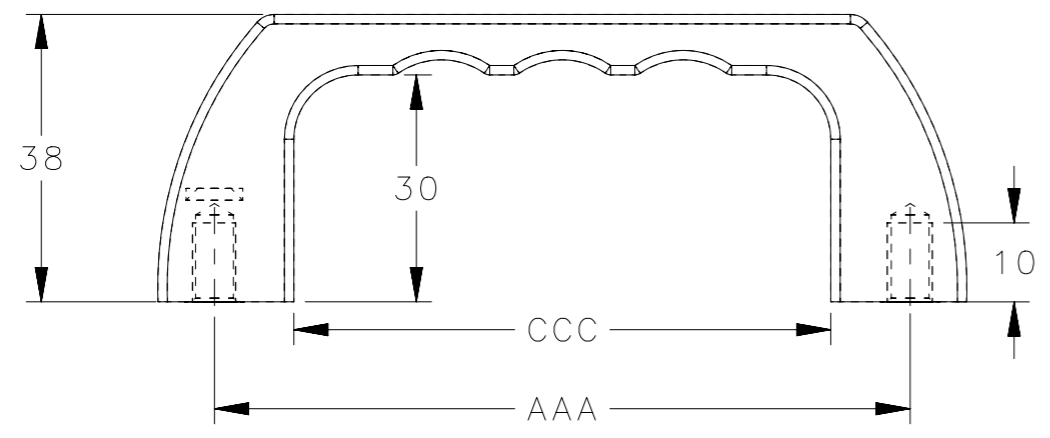
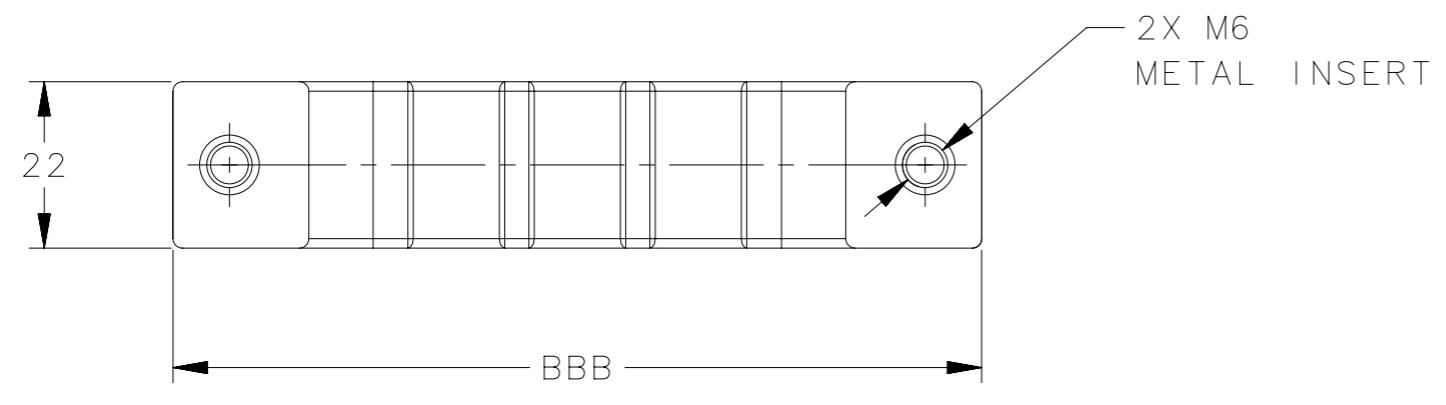
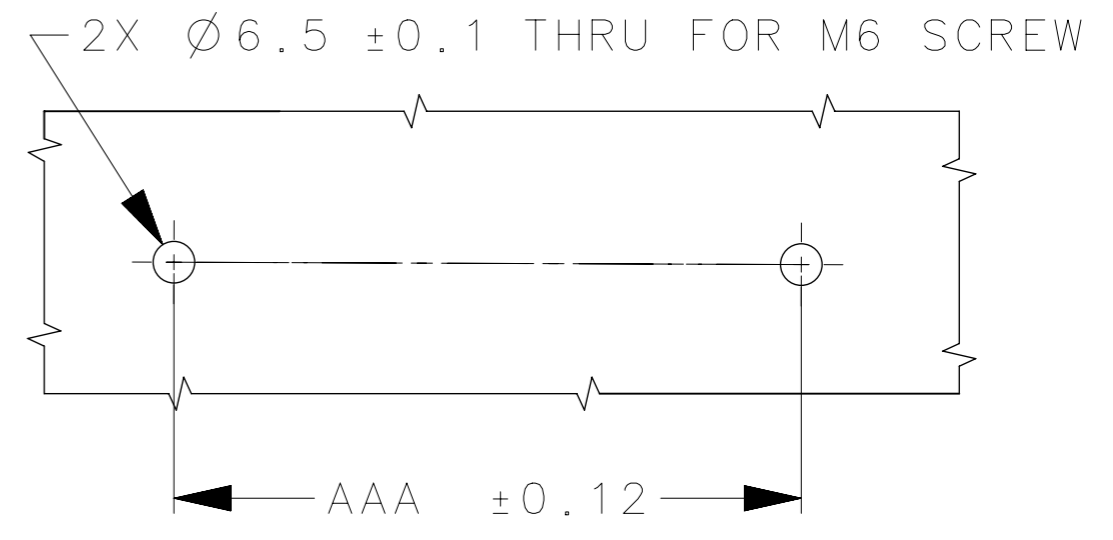


REVISION HISTORY			
REV	DATE	BY	DESCRIPTION
B	21DEC2023	SBK/VK	PRN:P2023-2365



SCALE 1:2

PANEL PREPARATION



NOTES:-
 1. MOUNTING SCREWS NOT SUPPLIED.
 2. FOR e.g AAA=92 THE REAL LENGTH IS 92.

B8-DHURI-92	B8 - GRAB HANDLE	POLYAMIDE	BLACK	182	92	107	71
SOUTHCO PART NUMBER	DESCRIPTION	MATERIAL	FINISH	LOAD CAPACITY (KG)	LENGTH (AAA)	TOTAL LENGTH(BBB)	INNER LENGTH(CCC)
CPB NUMBER 2023-0391	THIRD ANGLE PROJECTION						
	MILLIMETERS [IN]						
SURFACE AREA mm ²	TOLERANCES UNLESS OTHERWISE NOTED						
VOLUME mm ³	ALL DIMENSIONS WITHOUT TOLERANCES ARE FOR REFERENCE ONLY.						
PROPRIETARY ITEM EXCEPT FOR USES EXPRESSLY GRANTED IN WRITING, INFORMATION DISCLOSED HEREON IS CONFIDENTIAL AND ALL RIGHTS, PATENT AND OTHERWISE, ARE RESERVED BY SOUTHCO, INC.	PER ASME Y14.5M-2009	SIZE A3	SYSTEM NX	DWG NO. J-B8-DHURI			
		DRAWN BY SBK/VK	DATE 06JUL2023	SCALE 1:1	SHEET 1 OF 1		