



PROPRIETARY ITEM - EXCEPT FOR USES EXPRESSLY GRANTED IN WRITING INFORMATION DISCLOSED HEREON IS CONFIDENTIAL AND ALL RIGHTS PATENT AND OTHERWISE ARE RESERVED BY SOUTHCO, INC.

CAM LOCK, CORE REMOVABLE, NOT SEALED

DATE	DRAWN	CHKD	SCALE
12JAN2005	LCR	XX	1:1

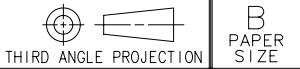
DRAWING NUMBER

J-CM-6

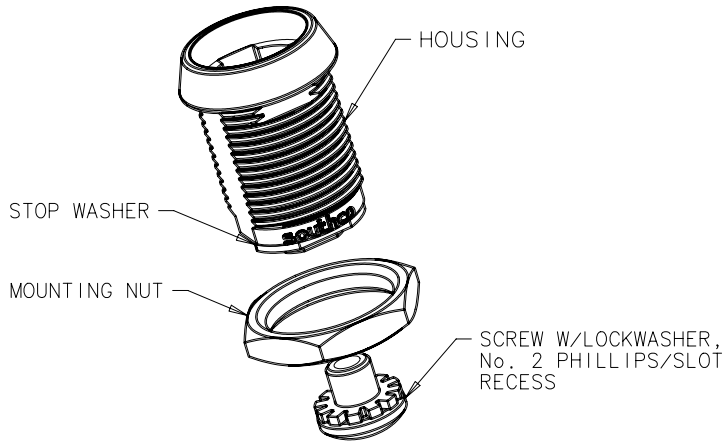
REV	DATE	DRAWN/CHKD	DESCRIPTION
A	18JUL2006	LCR/MJS	PRN: P2006-0960
B	20OCT2010	MJS/TVA	PRN: P2010-1114

INCHES

ALL DIMENSIONS WITHOUT TOLERANCES ARE FOR REFERENCE ONLY.



PART NUMBER: CM-6- S4 -NUB



HOUSING LENGTHS:

1 =	.625
2 =	.875
6 =	1.125
3 =	1.375
4 =	1.625
5 =	1.875

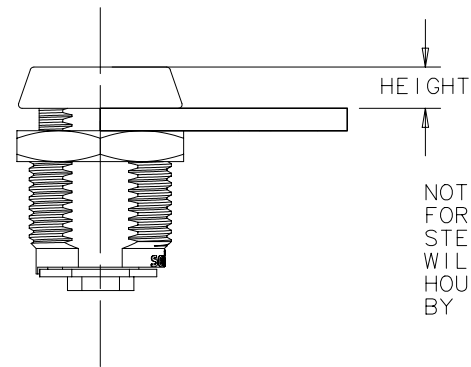
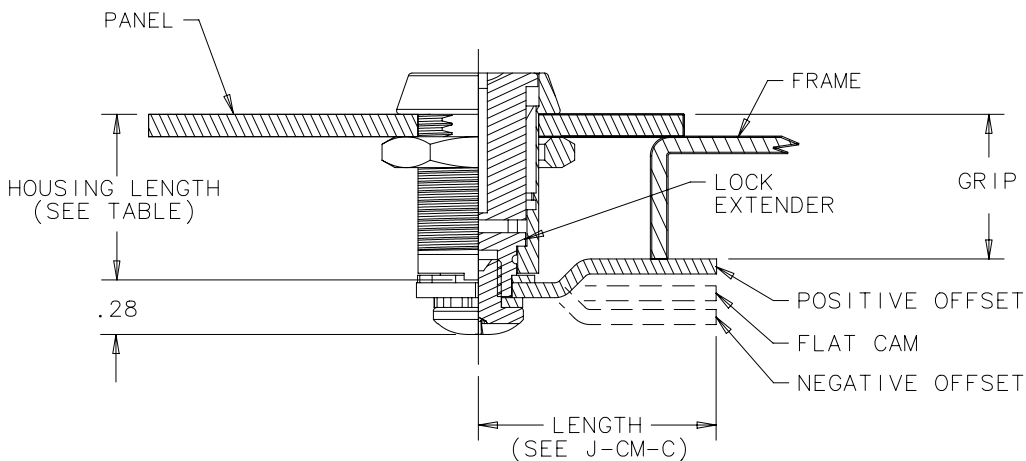
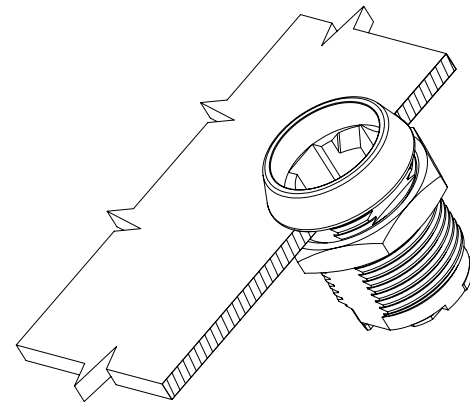
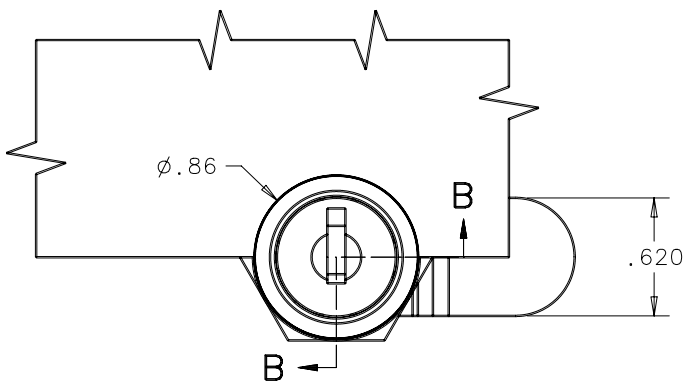
CAM ROTATION ANGLE:
01 = 12 - 3 O'CLOCK (CW)
09 = 12 - 9 O'CLOCK (CCW)

NOTES:

- A. FOR INSTALLATION AND PANEL PREPARATION SEE DRAWING J-CM-3-A.
- B. FOR LOCKPLUG INSTALLATION SEE DRAWING J-CM-3-B.
- C. SEE J-CM-C FOR CAM PART NUMBERS.

SUBASSEMBLY
PART No. CM-6-2S401-NUB SHOWN
(CAM AND LOCK PLUG ORDERED SEPARATELY)
SEE DWG J-CM-C FOR CAM PART NUMBERS
SEE DWG J-PK-130 FOR LOCK PLUG PART NUMBERS

PART NUMBER CM-6-2S401-NUB SHOWN
ASSEMBLED WITH CAM P/N CM-C210
(ORDERED SEPARATELY) AND LOCKPLUG
PK-132-13 (ORDERED SEPARATELY)



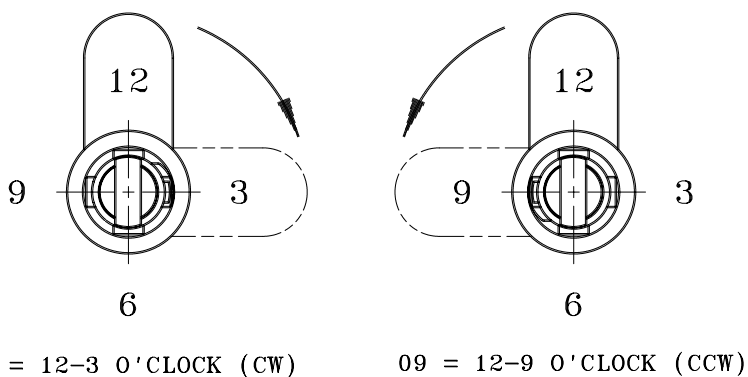
NOTE:
FOR HOUSINGS WITH STAINLESS STEEL SCALP, HOUSING HEIGHT WILL INCREASE BY .023" AND HOUSING LENGTH WILL DECREASE BY .011"

HOUSING LENGTH	HEIGHT
1	.625 .41
2	.875 .24
6	1.125 .24
3	1.375 .24
4	1.625 .24
5	1.875 .24

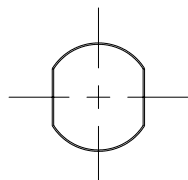
NOTES:

LOCK PLUG IS SHOWN IN THE UNLOCKED POSITION
SOLID LINE CAM DEPICTS UNLOCKED CAM POSITION
DOTTED LINE CAM DEPICTS LOCKED CAM POSITION
LOCK PLUG IN THE LOCKED POSITION IS NOT SHOWN

CAM ROTATION DIRECTION



PANEL PREPARATION ORIENTATION



MATERIAL AND FINISH

COMPONENT	MATERIAL DESCRIPTION	FINISH DESCRIPTION
HOUSING	DIE CAST ZINC	TRIVALENT CHROMATE CONV. COATED WITH STAINLESS STEEL SCALP
CAM	STEEL	ZINC PLATE, BRIGHT CHROMATE CONV. COATING
STOP WASHER	STEEL	ZINC PLATE, BRIGHT CHROMATE CONV. COATING
SCREW WITH LOCKWASHER	STEEL	ZINC PLATE, BRIGHT CHROMATE CONV. COATING
MOUNTING NUT	DIE CAST ZINC	TRIVALENT CHROMATE CONV. COATING
LOCK EXTENDER	DIE CAST ZINC	TRIVALENT CHROMATE CONV. COATING