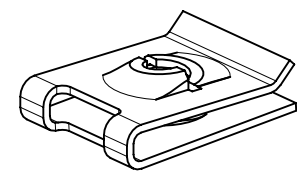
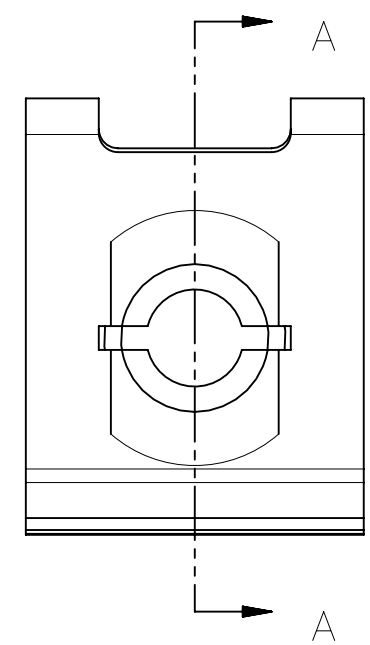
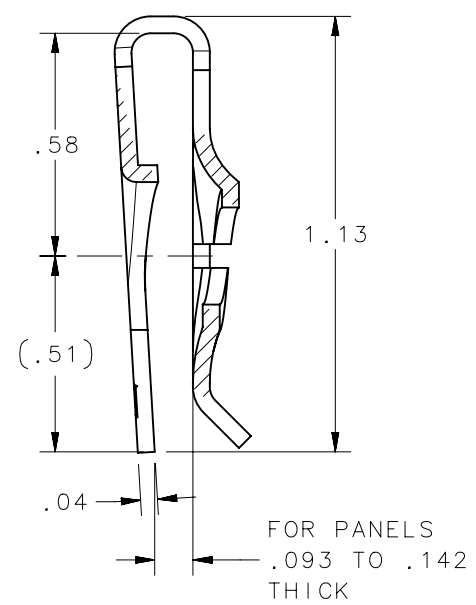
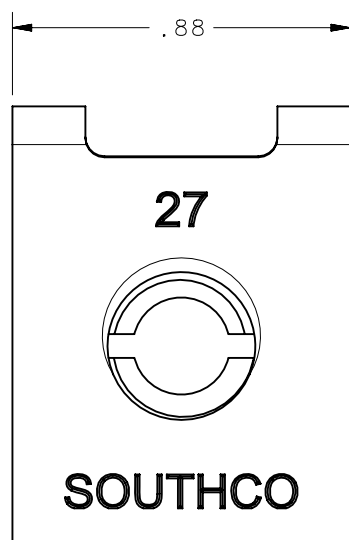


REVISION HISTORY			
REV	DATE	BY	DESCRIPTION
O	15JUN2017	ACH/RMD	PRN: P2017-1426



SCALE 1:1



SECTION A - A

17-10027-11	NUT	1064 STEEL	-	ZINC IMMERSION COATING
17-10027-26	NUT	STAINLESS STEEL	-	PASSIVATED
SOUTHCO PART NUMBER	TYPE OF COMPONENT	MATERIAL	HEAT TREAT	FINISH

THIRD ANGLE PROJECTION		 CONNECT • CREATE • INNOVATE		
INCHES [MM]				
TOLERANCES UNLESS OTHERWISE NOTED		DESCRIPTION		
2 PLACE DECIMALS ± .02		SOUTHCO No. 17 FASTENER "U" TYPE		
3 PLACE DECIMALS ± .010		RECEPTACLE - RANGE: .093 - .142		
4 PLACE DECIMALS ± .0010		SIZE	SYSTEM	DWG NO.
PROPRIETARY ITEM		A	NX	J-17-2-27
EXCEPT FOR USES EXPRESSLY GRANTED IN WRITING, INFORMATION DISCLOSED HEREON IS CONFIDENTIAL AND ALL RIGHTS, PATENT AND OTHERWISE, ARE RESERVED BY SOUTHCO, INC.		ANGLES	± 5°	
PER ASME Y14.5M-1994		DRAWN BY	DATE	SCALE
		TPS/DST	08FEB1960	2:1
				SHEET 1 OF 1