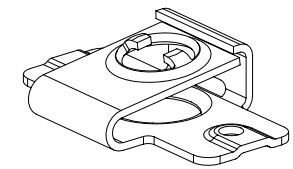
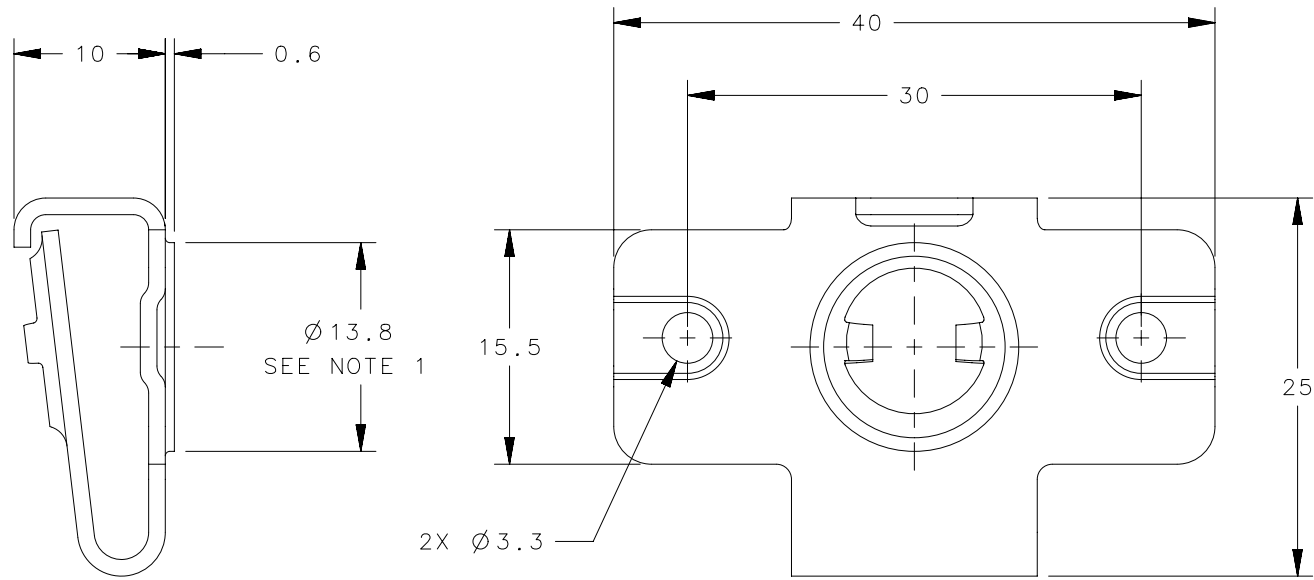


REVISION HISTORY			
REV	DATE	BY	DESCRIPTION
B	09APR2014	MWC/YGC	PRN: P2014-0745



SCALE 1:1

NOTES:
1) SUPPORT PANEL REQUIRES Ø 14.00 HOLE

D8-339-400-199	RECEPTACLE	CARBON STEEL	ZINC NICKEL
D8-339-400-130	RECEPTACLE	CARBON STEEL	ZINC ORGANIC - SILVER
D8-339-400-121	RECEPTACLE	CARBON STEEL	SILVER GEOMET
PART NUMBER	TYPE OF COMPONENT	MATERIAL	FINISH

THIRD ANGLE PROJECTION		 CONNECT • CREATE • INNOVATE	
MILLIMETERS [IN]			
TOLERANCES UNLESS OTHERWISE NOTED		DESCRIPTION RECEPTACLE - RIVET ON	
ALL DIMENSIONS WITHOUT TOLERANCES ARE FOR REFERENCE ONLY.		SIZE A4	SYSTEM NX
PER ASME Y14.5M-1994		DWG NO. J-D8-339-400	DATE 12NOV2009
DRAWN BY DME		SCALE 2:1	SHEET 1 OF 1

PROPRIETARY ITEM
EXCEPT FOR USES EXPRESSLY GRANTED
IN WRITING, INFORMATION DISCLOSED
HEREON IS CONFIDENTIAL AND ALL
RIGHTS, PATENT AND OTHERWISE,
ARE RESERVED BY SOUTHCO, INC.