

NOTES:

- A. OPERATION: 195° TURN OF DRIVER OR KEY CAUSES PAWL TO ROTATE THEN PULL UP AS SHOWN.
- B. DETERMINE TOTAL GRIP BY ADDING MAX. OUTER DOOR THICKNESS (INCLUDE ALL ACCESSORIES) PLUS COMPRESSED GASKETS AND FRAME THICKNESS.
- C. FIND YOUR TOTAL GRIP IN PAWL TABLE TO DETERMINE THE CORRECT PAWL TYPE.
- D. INSTALLATION:
  1. INSERT LATCH INTO THE HOLE OF THE DOOR IN THE UNLATCHED POSITION. CHECK FOR PROPER ORIENTATION AND OPERATION OF PAWL.
  2. INSTALL LOCKWASHER AND MOUNTING NUT (27mm ACROSS FLATS) ONTO HOUSING. RECOMMENDED TIGHTENING TORQUE FOR MOUNTING NUT IS 20 Nm AND THE MOUNTING SCREW IS 10Nm.
- E. THIS STYLE CANNOT ACCOMMODATE MULTI-POINT LATCHING.
- F. THE ASSEMBLY PART NUMBER CONSISTS OF ONE LATCH SUBASSEMBLY AND THE HARDWARE PACKAGED IN ONE BAG OR BOX.
- G. FOR DRIVER HEADSTYLES SEE SHEET 2



PROPRIETARY ITEM - EXCEPT FOR USES EXPRESSLY GRANTED IN WRITING INFORMATION DISCLOSED HEREIN IS CONFIDENTIAL AND ALL RIGHTS PATENT AND OTHERWISE ARE RESERVED BY SOUTHCO, INC.

WISE-ACTION™ LATCH-INTERNATIONAL SERIES  
FIXED GRIP, MIM STAINLESS STEEL

DATE	DRAWN	CHKD	SCALE	DRAWING NUMBER
25AUG2004	AAB	JSS	1:1	J-E3-10-6

TOTAL GRIP	MAX. OUTER DOOR THICKNESS (LATCH SHIPPED ASSEMBLED)	PAWL TYPE (XX)	TOTAL GRIP	MAX. OUTER DOOR THICKNESS (LATCH SHIPPED ASSEMBLED)	PAWL TYPE (XX)
15	UNASSEMBLED LATCH MUST USE UNASSEMBLED LATCH	00	35	7	10
17		01	37	7	11
19		02	39	7	12
21		03	41	7	13
23		04	43	7	14
25		05	45	7	15
27		06	47	7	16
29		07	49	7	17
31		08	51	7	18
33		09	53	7	19

REV	DATE	DRAWN/CHKD	DESCRIPTION
B	28FEB2005	AAB/MDY	PRN: P2005-0252
C	17AUG2007	BWR/	PRN: P2007-1068
D	03OCT2007	GDW/JSS	PRN: P2007-1246
E	14NOV2012	CMS/BGL	PRN: P2012-1549
F	05AUG2014	CMS/KH	PRN: P2014-1487
G	09FEB2015	CMS/MWD	PRN: P2015-0282
H	02JUN2015	CMS/MGG	PRN: P2015-1045
I	12FEB2016	CMS/LT	PRN: P2016-0117

**MILLIMETERS**

ALL DIMENSIONS WITHOUT TOLERANCES ARE FOR REFERENCE ONLY.

THIRD ANGLE PROJECTION

B PAPER SIZE

COMPONENT	MATERIAL	FINISH
HOUSING	304/316L STAINLESS STEEL	SEE FINISH TABLE
CAP	304/316L STAINLESS STEEL	SEE FINISH TABLE
RETAINER	302 STAINLESS STEEL	NATURAL
SPRING	302 STAINLESS STEEL	NATURAL
O-RING	BUNA-N	NATURAL
SLEEVE	1075 STEEL	ZINC IMMERSION COATING
CAM	1075 STEEL	ZINC IMMERSION COATING
SHAFT	300 SERIES STAINLESS STEEL	PASSIVATED
PIN	1008 STEEL	ZINC PLATE YELLOW CHROMATE
PAWL	304 STAINLESS STEEL	PASSIVATED
SCREW	316 STAINLESS STEEL	PASSIVATED
LOCKWASHER	300 SERIES STAINLESS STEEL	PASSIVATED
MOUNTING NUT	STAINLESS STEEL	RESIN IMPREGNATED
FLANGE GASKET	NEOPRENE RUBBER	NATURAL
GASKET SEAL	RUBBER	BLACK
BUSHING	316 STAINLESS STEEL	PASSIVATED
KEY CAP	303 STAINLESS STEEL	PASSIVATED

ASSEMBLY PART NUMBER

E3- VV WW - XX Z

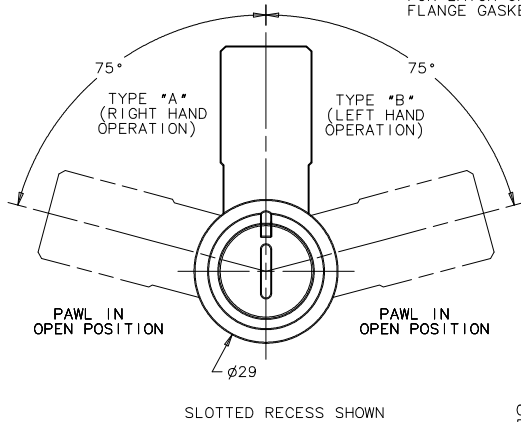
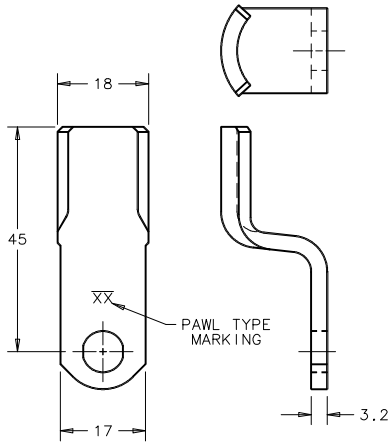
HOUSING STYLE DRIVER PAWL TYPE FINISH

HOUSING STYLE - VV

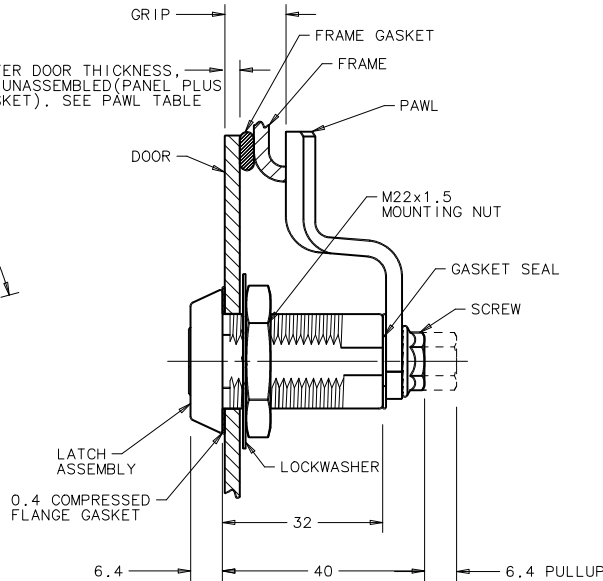
- 10 - LATCH SHIPPED ASSEMBLED, TYPE A (TURN CLOCKWISE TO LATCH)
- 12 - LATCH SHIPPED UNASSEMBLED, TYPE A (TURN CLOCKWISE TO LATCH)
- 27 - LATCH SHIPPED ASSEMBLED, TYPE B (TURN COUNTERCLOCKWISE TO LATCH)
- 29 - LATCH SHIPPED UNASSEMBLED, TYPE B (TURN COUNTERCLOCKWISE TO LATCH)

FINISH TABLE - Z

- 2 - ELECTROPOLISHED
- 12 - HAND BUFFED, ELECTROPOLISHED



18 MAX OUTER DOOR THICKNESS, FOR LATCH UNASSEMBLED (PANEL PLUS FLANGE GASKET). SEE PAWL TABLE

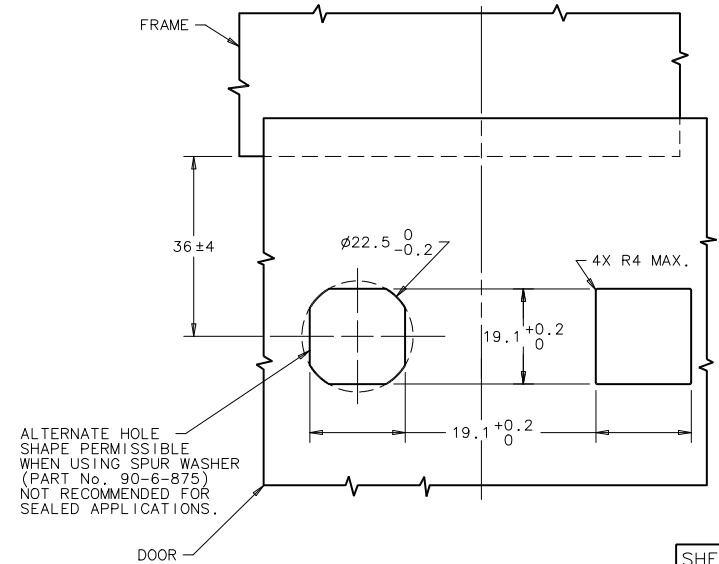


DOOR PREPARATION

METHOD A

METHOD B

(NOT RECOMMENDED FOR GASKETED APPLICATIONS)





PROPRIETARY ITEM - EXCEPT FOR USES EXPRESSLY GRANTED IN WRITING, INFORMATION DISCLOSED HEREON IS CONFIDENTIAL AND ALL RIGHTS, PATENT AND OTHERWISE ARE RESERVED BY SOUTHCO, INC.


WISE-ACTION™ LATCH-INTERNATIONAL SERIES  
FIXED GRIP, MIM STAINLESS STEEL

DATE: 25AUG2004  
DRAWN: AAB  
CHKD: JSS  
SCALE: 1:1


DRAWING NUMBER: J-E3-10-6

REV	DATE	DRAWN/CHKD	DESCRIPTION
B	28FEB2005	AAB/MDY	PRN: P2005-0252
C	17AUG2007	BWR/	PRN: P2007-1068
D	03OCT2007	GDW/JSS	PRN: P2007-1246
E	14NOV2012	CMS/BGL	PRN: P2012-1549
F	05AUG2014	CMS/KH	PRN: P2014-1487
G	09FEB2015	CMS/MWD	PRN: P2015-0282
H	02JUN2015	CMS/MGG	PRN: P2015-1045
I	12FEB2016	CMS/LT	PRN: P2016-0117

**MILLIMETERS**  
ALL DIMENSIONS WITHOUT TOLERANCES ARE FOR REFERENCE ONLY.

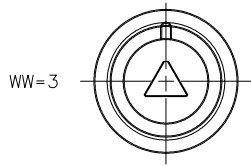


THIRD ANGLE PROJECTION



PAPER SIZE

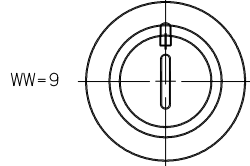
DRIVER



WW=3

7mm TRIANGLE

DRIVER



WW=9

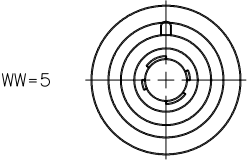
SLOTTED RECESS

ASSEMBLY PART NUMBER

E3- VV WW - XX Z

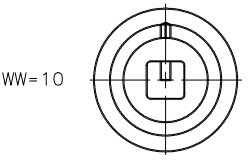
HOUSING STYLE DRIVER PAWL TYPE FINISH

DRIVER



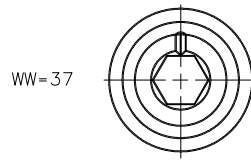
WW=5

TUBULAR KEY



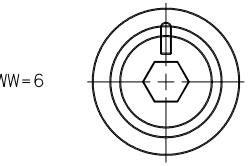
WW=10

8mm SQUARE



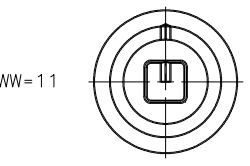
WW=37

3/8 INCH HEX RECESS



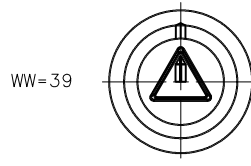
WW=6

8mm HEX RECESS



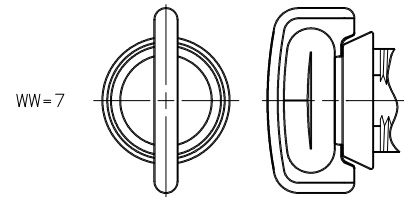
WW=11

RAILWAY



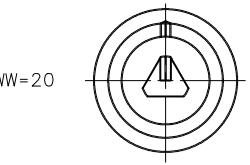
WW=39

7mm TAPERED TRIANGLE



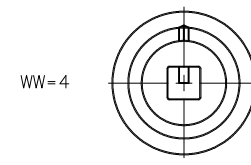
WW=7

KNOB



WW=20

8mm TRIANGLE



WW=4

7mm SQUARE