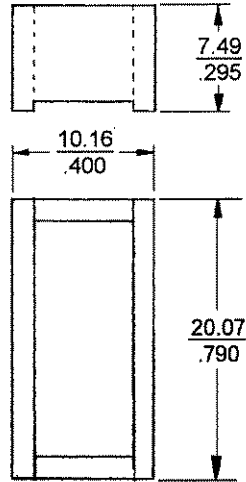
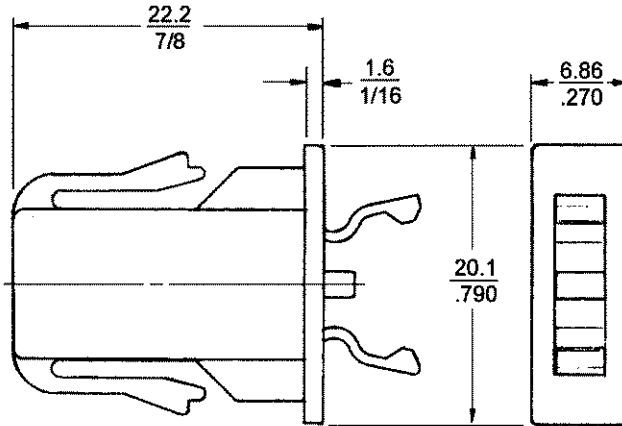


DATE	DRAWN	CHKD	SCALE	DRAWING NUMBER
2-23-84	RHB		2X	J-E4-10-102-10

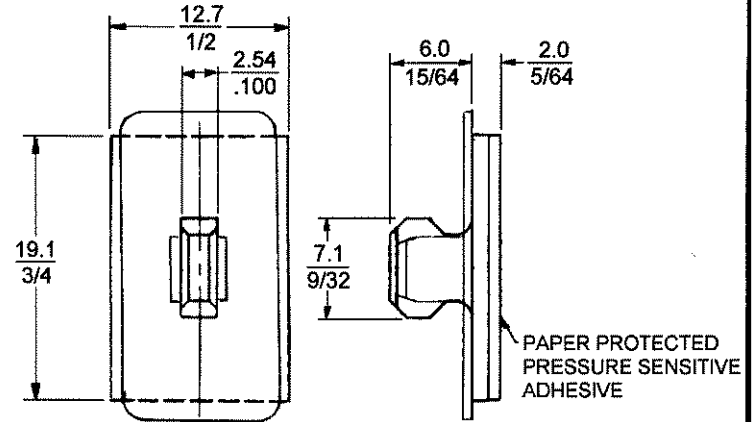
PART NO. E4-10-102-10



SPACER

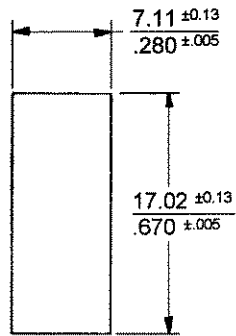


CATCH ASSEMBLY

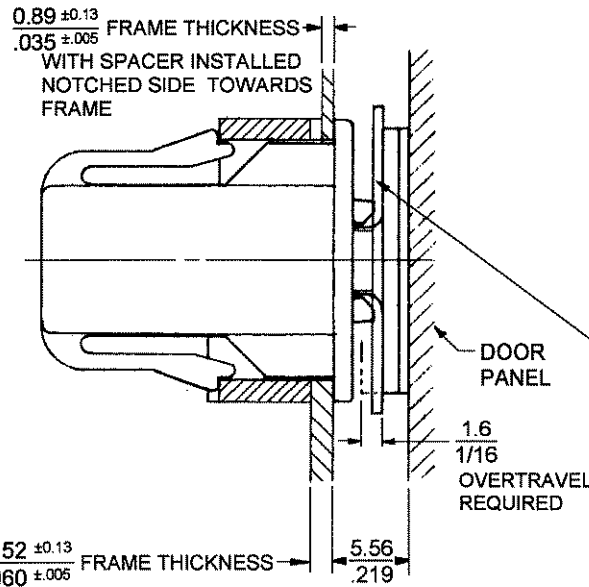


KEEPER

PAPER PROTECTED
PRESSURE SENSITIVE
ADHESIVE



INSTALLATION HOLE
IN FRAME MEMBER



MATERIAL AND FINISH

BLACK ENGINEERING THERMOPLASTIC EXTERNAL COMPONENTS.
CORROSION RESISTANT METALIC INTERNAL COMPONENTS.

TO INSTALL

HOLD SPACER BEHIND FRAME AND SNAP CATCH ASSEMBLY INTO INSTALLATION HOLE. ENGAGE KEEPER WITH CATCH AND REMOVE PROTECTIVE PAPER FROM ADHESIVE SURFACE. CLOSE DOOR FIRMLY IN CONTACT WITH ADHESIVE.

SHIM IS ADDED AS A MEANS TO CENTER THE KEEPER IN THE LATCH. AFTER KEEPER IS INSTALLED ON PANEL, REMOVE SHIM AND DISCARD.

NOTE - IF LEGS ARE PUSHED IN BEFORE INSTALLATION
PUSH IN AGAIN TO RELEASE.