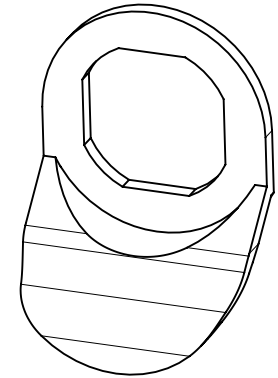
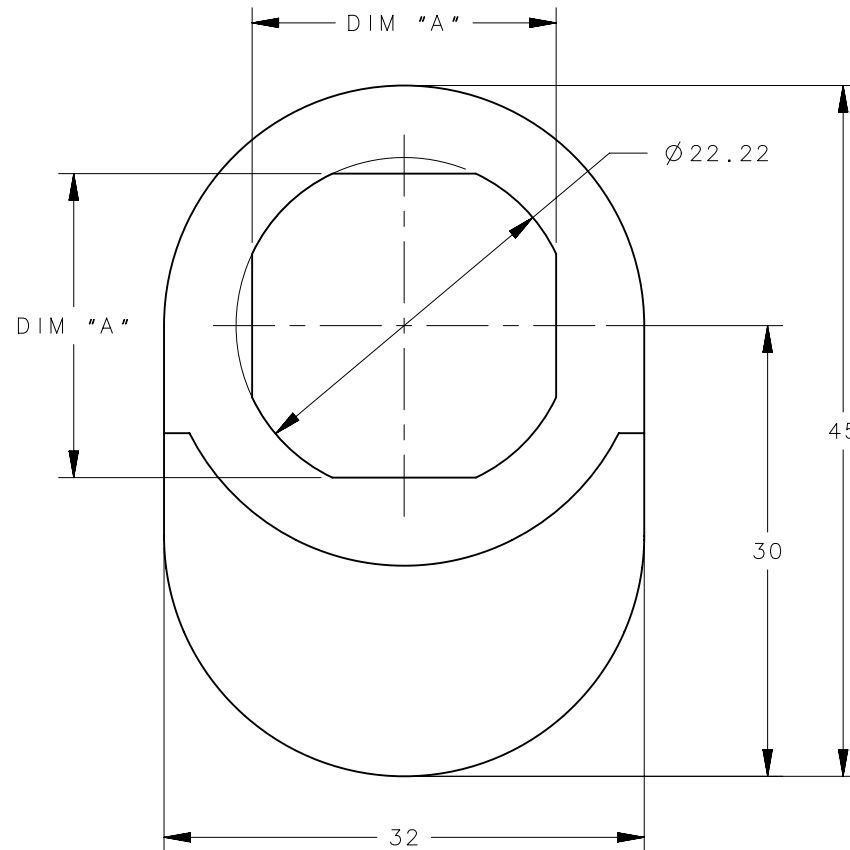
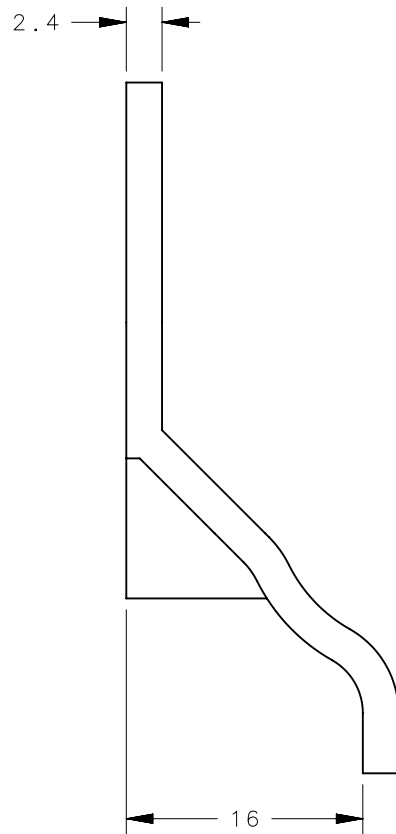
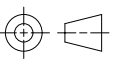


REVISION HISTORY			
REV	DATE	BY	DESCRIPTION
C	21OCT2021	RSN/MBT	PRN: P2021-0185



NOTES:

- A. WHEN USING PULL TAB, MINIMUM & MAXIMUM GRIPS OF LATCHES ARE REDUCED BY 2.4mm.
- B. REFER TO 3D MODEL FOR ANY DIMENSIONAL INFORMATION NOT LISTED.

E3-27-1		NYLON		BLACK		19	
E5-18		MATERIAL		FINISH		20	
PART NUMBER						DIM. "A"	
CPB NUMBER	STANDARD	THIRD ANGLE PROJECTION					
		MILLIMETERS [IN]					
SURFACE AREA	2913.52mm ²	TOLERANCES UNLESS OTHERWISE NOTED	DESCRIPTION				
VOLUME	2855.69mm ³	ALL DIMENSIONS WITHOUT TOLERANCES ARE FOR REFERENCE ONLY.	PULL TAB				
PROPRIETARY ITEM		SIZE	SYSTEM	DWG NO.			
EXCEPT FOR USES EXPRESSLY GRANTED IN WRITING, INFORMATION DISCLOSED HEREON IS CONFIDENTIAL AND ALL RIGHTS, PATENT AND OTHERWISE, ARE RESERVED BY SOUTHCO, INC.		A4	NX	J-E5-18			
		PER ASME Y14.5M-1994	DRAWN BY	DATE	SCALE	SHEET	
			MMM	17JUN1998	2:1	1 OF 1	