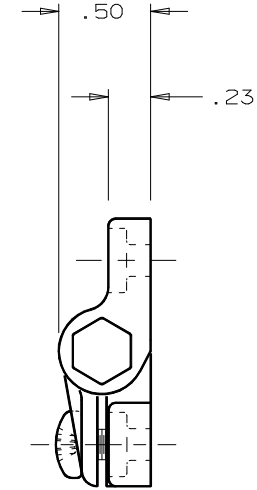
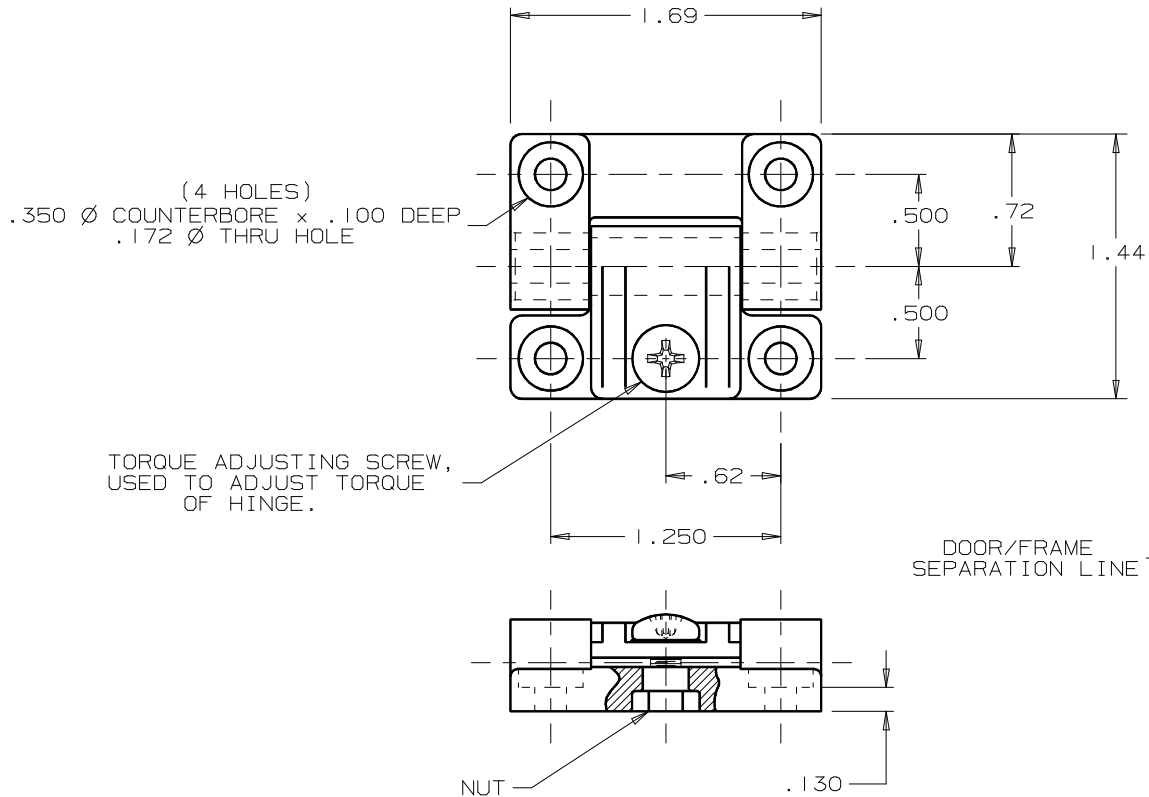
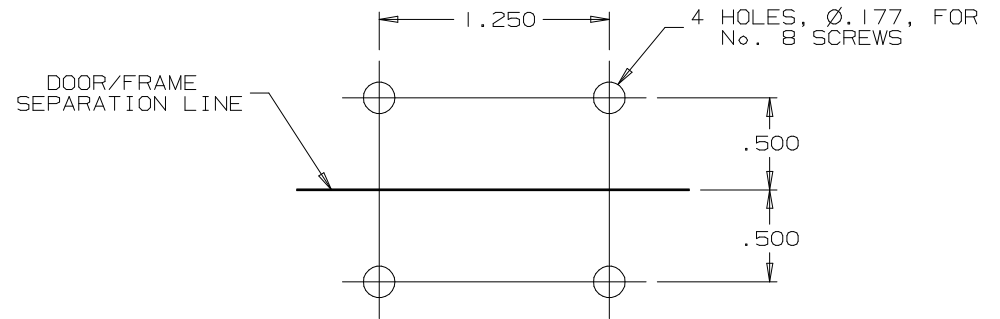


<b>SOUTHCO</b>		SOUTHCO No. E6 ADJUSTABLE FRICTION HINGE 300 SERIES				DATE	DRAWN	CHKD	SCALE	DRAWING NUMBER
CONCORDVILLE, PA						12/10/81	JHV		FULL	J-E6-10-301-10
REV.	DATE	BY-CHKD	REVISIONS	ITEM	PART No.	MATERIAL	FINISH			
P	4/10/91	JAD	REDRAWN ON CAD (PRN:E6-68)	HINGE ASSEMBLY	E6-10-301-10					
Q	9/23/91	JAD	PRN:E6-72	ADJUSTABLE LEAF		ACETAL	WHITE			
R	25FEB92	GWJ	MOUNTING HOLE WAS .172Ø	FIXED LEAF		ACETAL	WHITE			
S	12 JAN.93	KPL	PRN:S-1-03	ADJUSTMENT SCREW		STAINLESS STEEL	PASSIVATED			
				PIN		POLYCARBONATE	NATURAL			
				NUT		STAINLESS STEEL	PASSIVATED			

NOTE A. SHIPPED ASSEMBLED, BULK.  
FOR HINGE TO BE PACKAGED  
ONE PER BAG, ADD SUFFIX  
"-P" TO THE PART NUMBER.



NOTE: SCREW NOT SUPPLIED  
BY SOUTHCO.



DOOR & FRAME PREPARATION

FORMATA 3/88

PROPRIETARY ITEM - EXCEPT FOR USES EXPRESSLY GRANTED IN WRITING  
INFORMATION DISCLOSED HEREON IS CONFIDENTIAL AND ALL RIGHTS PATENT  
AND OTHERWISE ARE RESERVED BY SOUTHCO, INC.

PAT. 4,630,333  
PAT. 4,490,884  
PAT. D 278,309

TOLERANCES UNLESS OTHERWISE NOTED.  
DECIMALS  
ANGLES  
TWO PLACE (.XX) ±.01 THREE PLACE (.XXX) ±.005  
DEG. ± 1°

DRAWING NUMBER  
J-E6-10-301-10