

southco®

PROPRIETARY ITEM - EXCEPT FOR USES EXPRESSLY GRANTED IN WRITING, INFORMATION DISCLOSED HEREON IS CONFIDENTIAL AND ALL RIGHTS, PATENT AND OTHERWISE ARE RESERVED BY SOUTHCO, INC.

KEEPER, SELF TAPPING

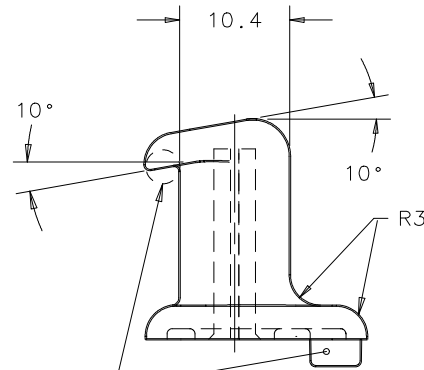
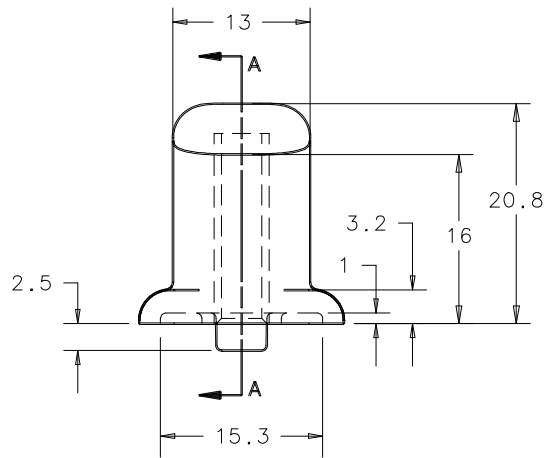
DATE	DRAWN	CHKD	SCALE
26JAN2016	CMS	JW	1.5:1

DRAWING NUMBER
J-F7-547

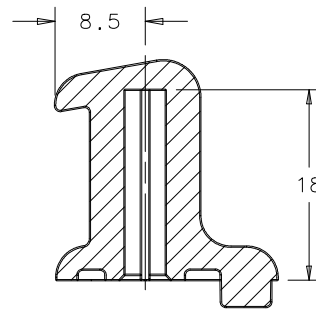
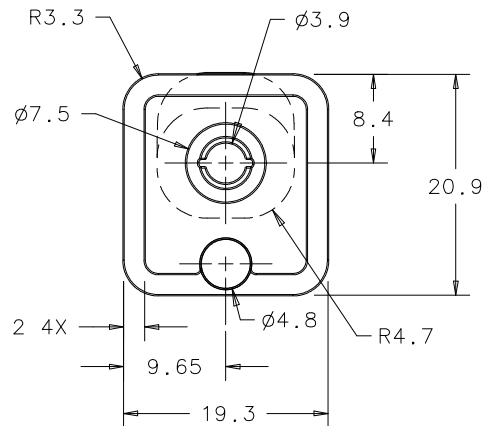
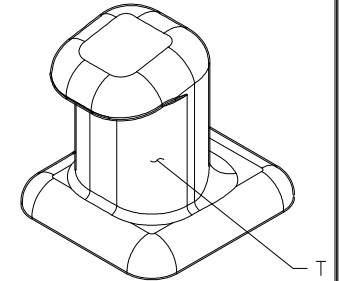
REV.	DATE	DRAWN	REVISION	PART NUMBER	MATERIAL	COLOR
A	26JAN2016	CMS/JW	PRN: P2016-0158	F7-547	G.F. NYLON	BLACK

ALL DIMENSIONS WITHOUT TOLERANCES ARE FOR REFERENCE ONLY.

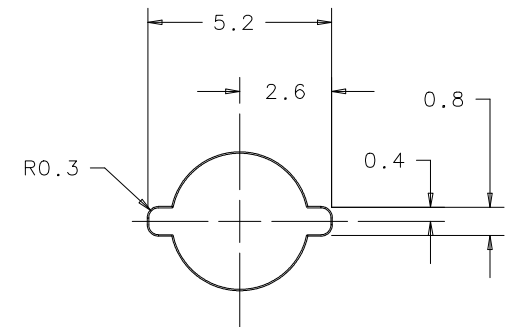
THIRD ANGLE PROJECTION
A4 PAPER SIZE



NO TEXTURE UNDER LIP, BOSS, OR CORED AREA.



SECTION A-A



DETAIL B - SCALE 5:1
MOUNTING HOLE WITH CHIP RELIEF NOTCHES.