

DRAWING NUMBER  
J-K2-3005-E  
INCHES

SCALE  
1:1

DATE  
27APR96

DRW/CHKD  
GEA/JSS

THIRD ANGLE PROJECTION

No. K2 ROTARY ACTION DRAW LATCH,  
SPRING LOADED VERSION

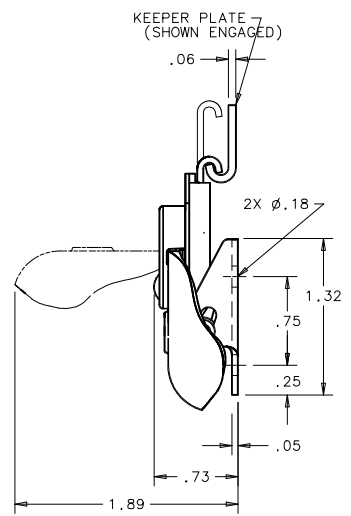
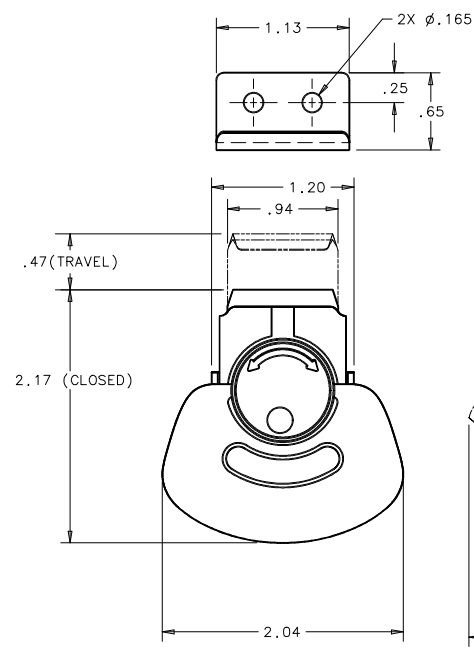
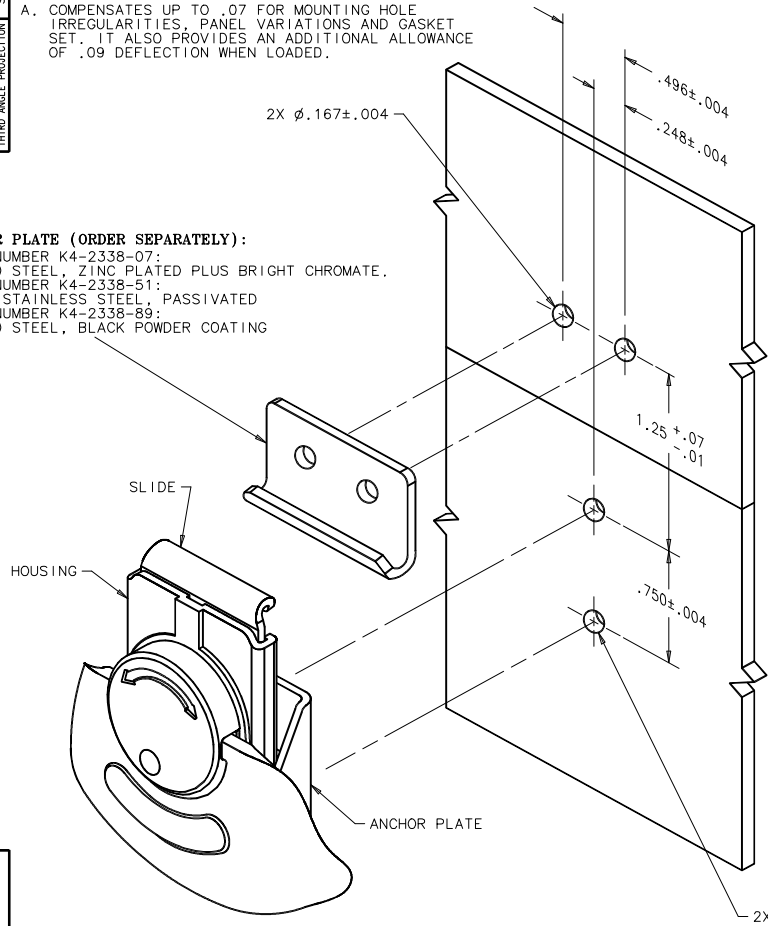
PROPRIETARY ITEM. EXCEPT FOR USES EXPRESSLY  
STATED HEREON, THIS DRAWING IS CONFIDENTIAL AND ALL RIGHTS OF PATENT  
AND OTHERWISE ARE RESERVED BY SOUTHCORP, INC.

REV	DATE	DRW/CHKD	DESCRIPTION
F	25APR2003	SCR/AJH	PRN: P2003-0157

NOTES:

A. COMPENSATES UP TO .07 FOR MOUNTING HOLE  
IRREGULARITIES, PANEL VARIATIONS AND GASKET  
SET. IT ALSO PROVIDES AN ADDITIONAL ALLOWANCE  
OF .09 DEFLECTION WHEN LOADED.

**KEEPER PLATE (ORDER SEPARATELY):**  
PART NUMBER K4-2338-07:  
1020 STEEL, ZINC PLATED PLUS BRIGHT CHROMATE.  
PART NUMBER K4-2338-51:  
304 STAINLESS STEEL, PASSIVATED  
PART NUMBER K4-2338-89:  
1020 STEEL, BLACK POWDER COATING



**MATERIAL AND FINISH:**

**ASSEMBLY PART NUMBER: K2-3005-07**  
WING, HOUSING, LOWER CAM:  
1020 STEEL, ZINC PLATED PLUS BRIGHT CHROMATE.  
UPPER CAM:  
1008 STEEL, ZINC PLATED PLUS BRIGHT CHROMATE.  
SLIDE:  
1055 HARDENED STEEL, ZINC PLATED PLUS BRIGHT CHROMATE.  
CAM RIVET AND SPRING:  
302 STAINLESS STEEL, PASSIVATED  
ANCHOR PLATE:  
1020 STEEL, ZINC PLATED PLUS BRIGHT CHROMATE.  
ANCHOR PLATE RIVET:  
300 SERIES STAINLESS STEEL, PASSIVATED  
INBOARD SPRING:  
SILICONE RUBBER, BLACK.

**ASSEMBLY PART NUMBER: K2-3005-89**  
WING, HOUSING, LOWER CAM:  
1020 STEEL, BLACK POWDER COATING.  
UPPER CAM:  
1008 STEEL, BLACK POWDER COATING.  
SLIDE:  
1055 HARDENED STEEL, BLACK POWDER COATING.  
CAM RIVET AND SPRING:  
302 STAINLESS STEEL, BLACK POWDER COATING.  
ANCHOR PLATE:  
304 STAINLESS STEEL, BLACK POWDER COATING.  
ANCHOR PLATE RIVET:  
300 SERIES STAINLESS STEEL, PASSIVATED

**ASSEMBLY PART NUMBER: K2-3005-51**  
ANCHOR PLATE, WING, HOUSING, LOWER CAM, SLIDE:  
304 STAINLESS STEEL, PASSIVATED.  
UPPER CAM:  
316 STAINLESS STEEL, PASSIVATED.  
ANCHOR PLATE RIVET:  
300 SERIES STAINLESS STEEL, PASSIVATED.  
CAM RIVET AND SPRING:  
302 STAINLESS STEEL, PASSIVATED.  
INBOARD SPRING:  
SILICONE RUBBER BLACK.