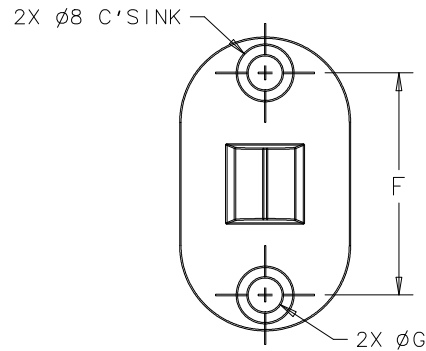
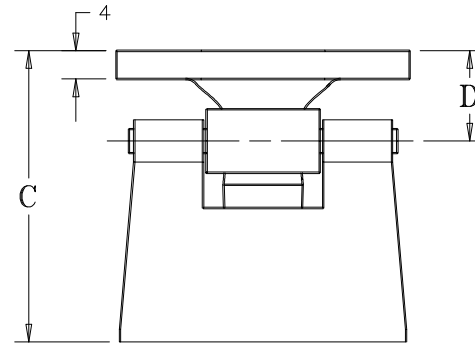
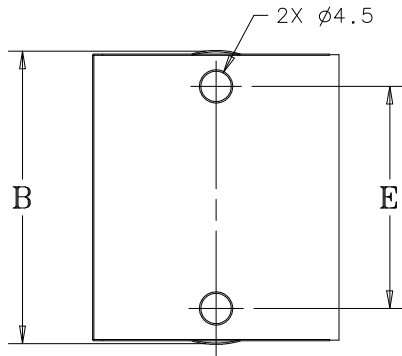
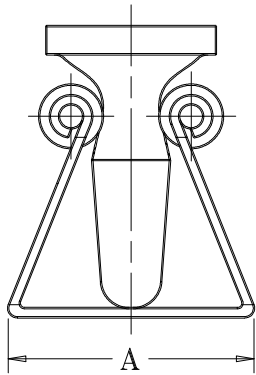
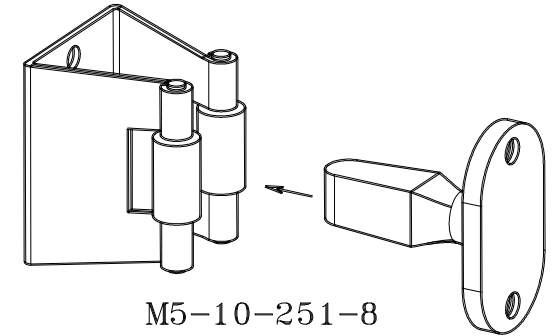


PROPRIETARY ITEM
EXCEPT FOR USES EXPRESSLY GRANTED
IN WRITING, INFORMATION DISCLOSED
HEREON IS CONFIDENTIAL AND ALL
RIGHTS, PATENT AND OTHERWISE,
ARE RESERVED BY SOUTHCO, INC.

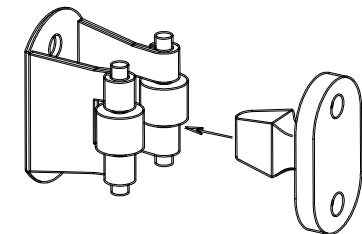


REVISION HISTORY

REV	DATE	DRAWN	CHECKED	DESCRIPTION
B	12SEP2016	CMS	KH	PRN: P2016-2094
C	13FEB2017	CMS	MGG	PRN: P2017-0363
D	28MAR2017	CMS	MGG	PRN: P2017-0716



M5-10-251-8



M5-10-252-8

ITEM	PART NUMBER	MATERIAL	FINISH	A	B	C	D	E	F	G
ASSEMBLY	M5-10-252-8	316 STAINLESS STEEL	-	20 [.79]	34 [1.34]	28,6 [1.13]	8,5 [.36]	24 [.94]	20 [.79]	4,5 [.18]
ASSEMBLY	M5-10-251-8	316 STAINLESS STEEL	-	35 [1.38]	41,5 [1.63]	41,3 [1.63]	12,8 [.5]	25 [.98]	30,5 [1.20]	5 [.19]

THIRD ANGLE PROJECTION

ALL DIMENSIONS WITHOUT TOLERANCES ARE FOR REFERENCE ONLY.

MILLIMETERS [IN]

southco[®]

CONNECT · CREATE · INNOVATE

TITLE

DOOR HOLDER

SIZE

A4

SYSTEM

I-DEAS

DWG NO

J-M5-10-251

DRWN/CHKD
VSV/VGV

DATE

05JAN2008

SCALE

1:1

SHEET

1 OF 1