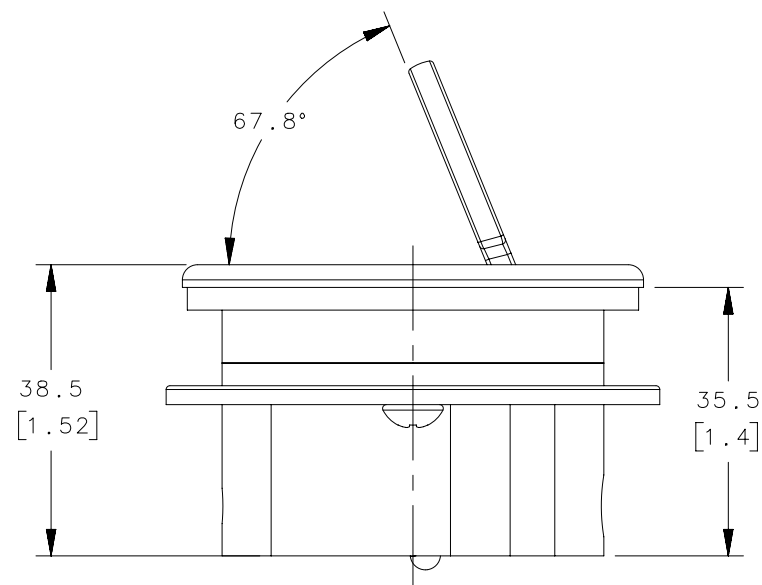
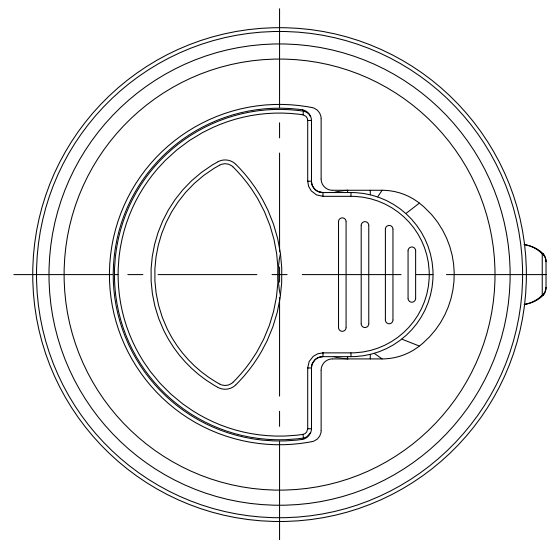
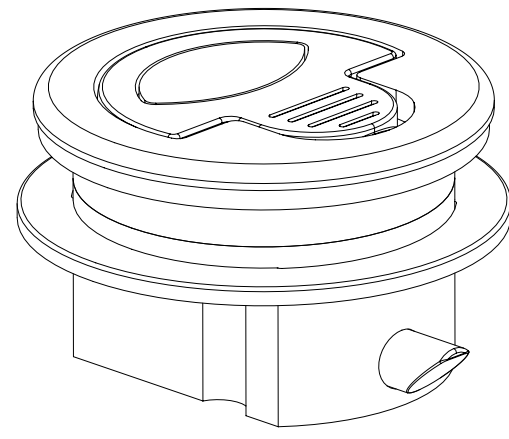


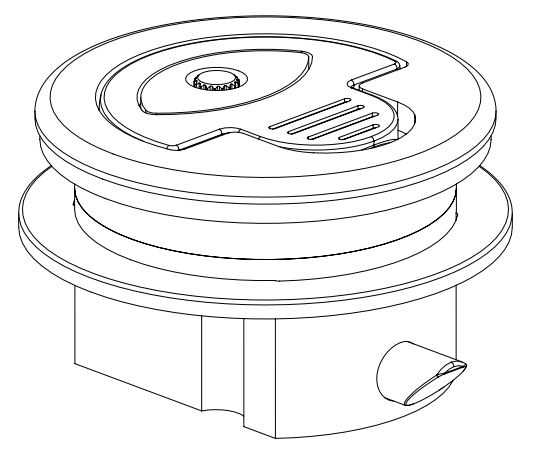
REVISION HISTORY			
REV	DATE	BY	DESCRIPTION
D	24JAN2012	DMS/YGC	PRN: P2012-0111



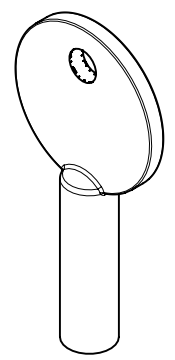
UNLATCHED



NON-LOCKING



LOCKING



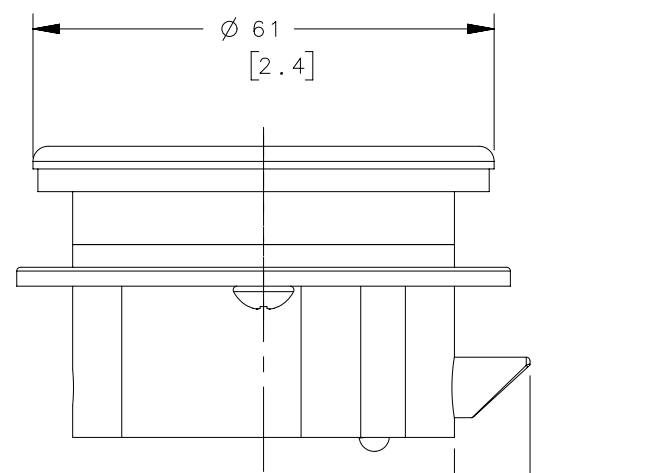
NOTES:

A.MATERIAL AND FINISH:

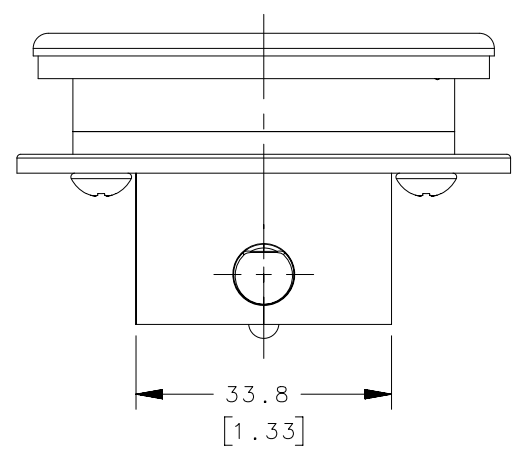
- 1.D-HANDLE, TOP HOUSING - CF-8M STAINLESS STEEL (NOMINAL CAST EQUIVALENT OF 316 STAINLESS STEEL), POLISHED.
- 2.SPLINE LOCK PLUG, ACTUATOR, - CF-8M STAINLESS STEEL (NOMINAL CAST EQUIVALENT OF 316 STAINLESS STEEL), PASSIVATED.
- 3.LOCKING ARM, U-BENT WASHER, SCREW, SPRING, PIN, PAWL - 304 STAINLESS STEEL, PASSIVATED.
- 4.KEEPER - 304 STAINLESS STEEL, POLISHED.
- 5.O-RING AND GASKET - BUNA-N, BLACK.
- 6.KEY - BRASS, CHROME PLATED.
- 7.HOUSING AND SPACER, FOR PART NUMBER -2 - NYLON.
- FOR PART NUMBER -8 - HOUSING:CF-8M STAINLESS STEEL (NOMINAL CAST EQUIVALENT OF 316 STAINLESS STEEL), PASSIVATED.
- SPACER:304 STAINLESS STEEL, POLISHED.

B.SUPPLIED WITH STRIKER M5-C-601-8.

C.SUPPLIED WITH KEY M7-88-9121324-S FOR LOCKING VERSIONS.



LATCHED



ITEM	SOUTHCO PART NUMBER	MATERIAL	FINISH
ASSEMBLY (LOCKING)	M5-21-100-8	SEE NOTE A	SEE NOTE A
ASSEMBLY (NON-LOCKING)	M5-21-000-8	SEE NOTE A	SEE NOTE A
ASSEMBLY (LOCKING)	M5-21-100-2	SEE NOTE A	SEE NOTE A
ASSEMBLY (NON-LOCKING)	M5-21-000-2	SEE NOTE A	SEE NOTE A

THIRD ANGLE PROJECTION				southco [®] CONNECT • CREATE • INNOVATE		
TOLERANCES UNLESS OTHERWISE NOTED		DESCRIPTION				
ALL DIMENSIONS WITHOUT TOLERANCES ARE FOR REFERENCE ONLY.		SLAM LATCH-WATER PROOF STAINLESS STEEL				
PROPRIETARY ITEM	PER ASME Y14.5M-1994	SIZE A3	SYSTEM NX	DWG NO. J-M5-21-000		
EXCEPT FOR USES EXPRESSLY GRANTED IN WRITING, INFORMATION DISCLOSED HEREON IS CONFIDENTIAL AND ALL RIGHTS, PATENT AND OTHERWISE, ARE RESERVED BY SOUTHCO, INC.		DRAWN BY VMV/VGV	DATE 04 APR 2008	SCALE 1:1	SHEET 1 OF 1	