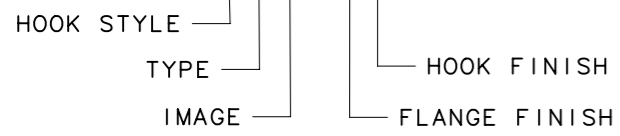


REVISION HISTORY			
REV	DATE	BY	DESCRIPTION
F	20JAN2017	PG/YGC	PRN: P2017-0173

ASSEMBLY PART NUMBER

MP-07-WXV-YZ



HOOK STYLE (W)

- 1 - OVAL
- 2 - SQUARE
- 3 - ROUND

TYPE (X)

- 1 - TYPE 1 OR UNIVERSAL (FOR SYMETRICAL FLANGES)
- 2 - TYPE 2

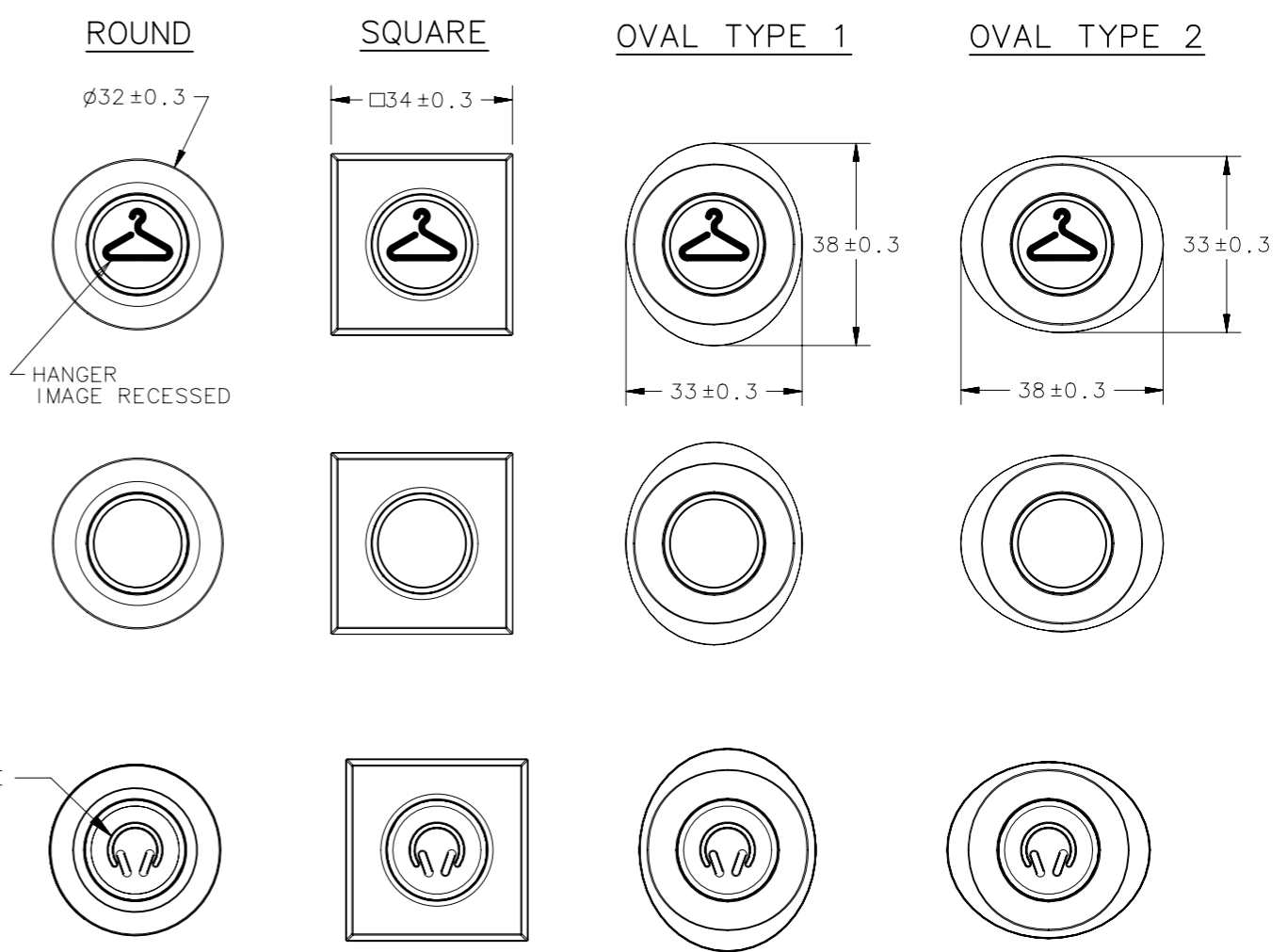
FINISH (FLANGE/HOOK) (Y OR Z)

- 1 - POLISHED CHROME
- 2 - SATIN CHROME
- 3 - BRUSHED NICKEL
- 4 - DIAMOND BRASS
- 5 - BLACK POWDER COAT (FOR IMAGE STYLE 3 - BLANK ONLY)
- 6 - SATIN NICKEL

IMAGE ON TOP SURFACE (V)

- 2 - HANGER
- 3 - BLANK
- 4 - HEADSET

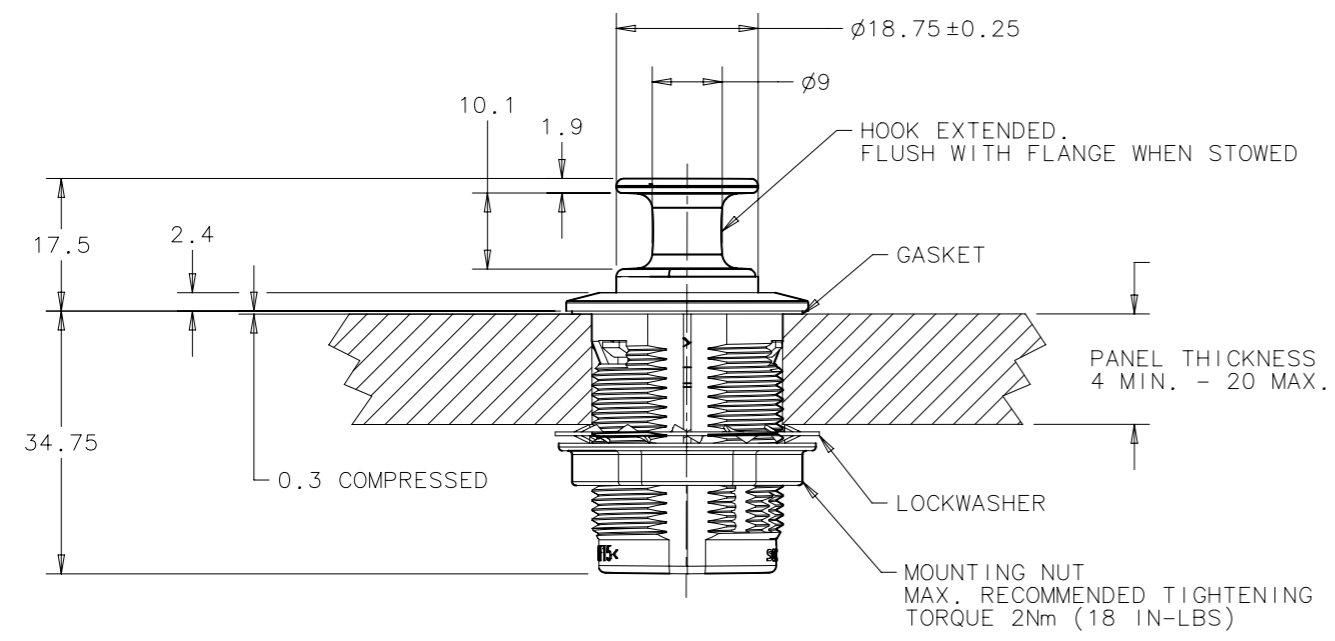
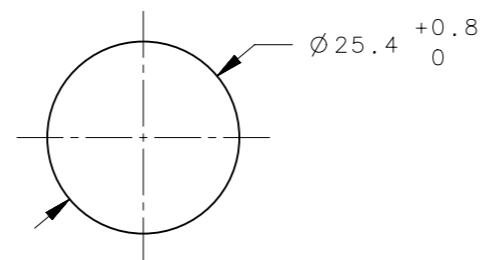
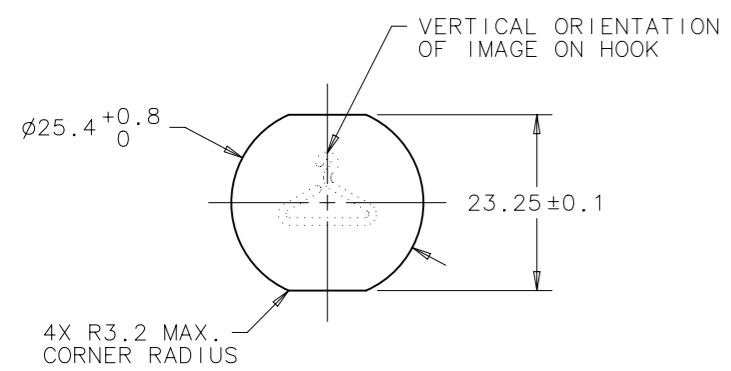
HOOK STYLE (W) :



PANEL PREPARATION

DOUBLE-D

SIMPLE



COMPONENT	MATERIAL	FINISH
COAT HOOK ASSEMBLY	-	-
HOOK	DIE CAST ZINC	SEE TABLE
RACHET	ACETAL	BLACK
RACHET SPRING	STAINLESS STEEL	PASSIVATED
SHAFT	STAINLESS STEEL	PASSIVATED
FLANGE	DIE CAST ZINC	SEE TABLE
HOOK SPRING	STAINLESS STEEL	PASSIVATED
HOUSING	GF NYLON	BLACK
GASKET	NEOPRENE	BLACK
LOCKWASHER	STAINLESS STEEL	PASSIVATED
MOUNTING NUT	GF NYLON	BLACK

NOTES:

A. OPERATION:

1. TO EXTEND, PUSH HOOK BUTTON ONCE. TO STOW, FULLY PUSH HOOK BUTTON AGAIN.

THIRD ANGLE PROJECTION

MILLIMETERS [IN]

TOLERANCES UNLESS OTHERWISE NOTED

ALL DIMENSIONS WITHOUT TOLERANCES ARE FOR REFERENCE ONLY.

PER ASME Y14.5M-1994

PROPRIETARY ITEM
EXCEPT FOR USES EXPRESSLY GRANTED IN WRITING, INFORMATION DISCLOSED HEREON IS CONFIDENTIAL AND ALL RIGHTS, PATENT AND OTHERWISE, ARE RESERVED BY SOUTHCO, INC.

southco[®]
CONNECT • CREATE • INNOVATE

DESCRIPTION
MP EXTENDABLE COAT/HEADSET HOOK

SIZE A3 SYSTEM NX DWG NO. J-MP-07-1

DRAWN BY ACH/TL DATE 19MAY2009 SCALE DNS SHEET 1 OF 1