

GROMMET PART NUMBER

NY-BG-CC-EE

NOTES:
A. RoHS COMPLIANT.

EE	COLOR & MATERIAL	FLAMMABILITY RATING
10	WHITE POLYCARBONATE	UL 94 V2
15	CLEAR POLYCARBONATE	UL 94 V2
17	GRAY POLYCARBONATE	UL 94 V2
20	BLACK POLYCARBONATE	UL 94 V2
30	BLACK POLYSULFONE	UL 94 V0
31	NATURAL POLYSULFONE	UL 94 V0
33	RED POLYSULFONE	UL 94 V0
37	GRAY POLYSULFONE	UL 94 V0
38	YELLOW GREEN POLYSULFONE	UL 94 V0
53	BLURPLE POLYCARBONATE	UL 94 V2
55	TERRA COTTA POLYCARBONATE	UL 94 V2

PLUNGER PART NUMBER

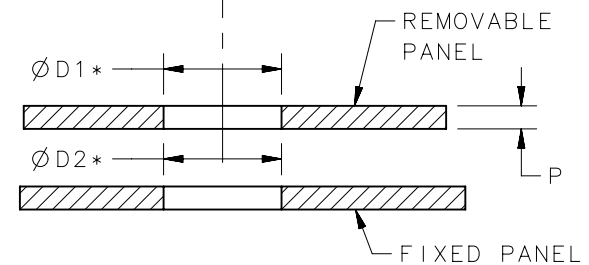
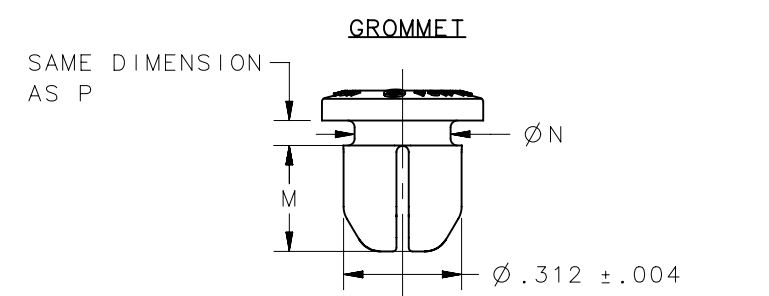
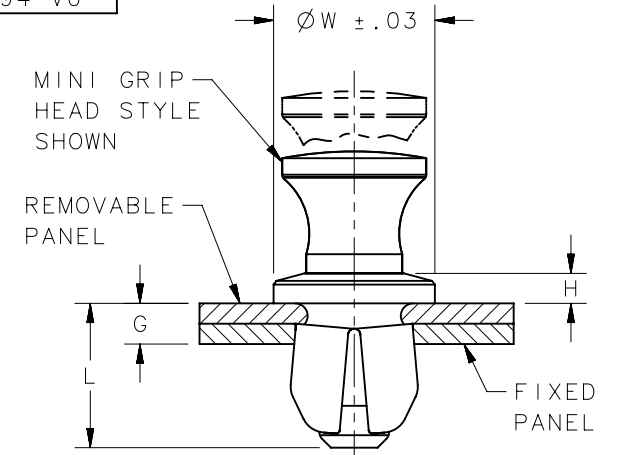
NY-BP-CC-D-EE

EE	COLOR & MATERIAL	FLAMMABILITY RATING
50	BLACK NYLON	UL 94 V2
51	WHITE NYLON	UL 94 V2
52	GRAY NYLON	UL 94 V2
60	BLACK POLYESTER	UL 94 V0
62	WHITE POLYESTER	UL 94 V0
53	BLURPLE POLYESTER	UL 94 V2
55	TERRA COTTA NYLON	UL 94 V2
63	RED POLYESTER	UL 94 V0
68	YELLOW GREEN POLYESTER	UL 94 V0

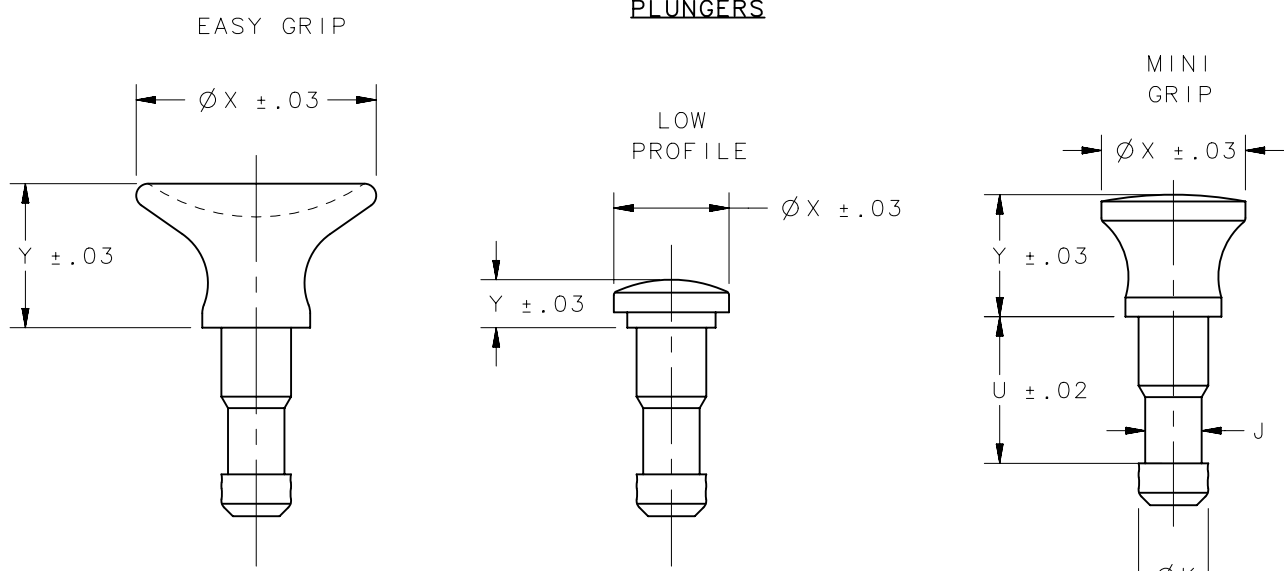
D	HEAD STYLE	3/16" SIZE		1/4" SIZE		5/16" SIZE	
		ØX	Y	ØX	Y	ØX	Y
1	EASY GRIP	-	-	-	-	.63	.38
3	TAMPER PROOF	.26	.10	.28	.10	.30	.11
4	MINI GRIP	.25	.26	.32	.28	.38	.30

REVISION HISTORY			
REV	DATE	BY	DESCRIPTION
G	03FEB2014	MWC/YGC	PRN: P2014-0190

B	SIZE	CC GROMMET	CC PLUNGER	GRIP RANGE G		OUTER SHEET P MAX	H MAX	L MAX	ØW	(ØD1)		(ØD2)		OPERABLE HOLE MISALIGNMENT	J MAX	K MAX	U	M MAX	ØN MAX	
				MIN	MAX					MIN	MAX	MIN	MAX							
3	3/16"	31	32	.056	.153	.042	.067	.330	.255	.180	.183	.189	.192	±.007	.10	0.13	.28	.27	.17	
		32	32	.079	.176	.065	.052	.346												.28
		33	33	.112	.209	.098	.052	.390												.33
		34	34	.152	.249	.138	.052	.430												.37
4	1/4"	41	42	.059	.148	.042	.081	.371	.336	.238	.242	.250	.254	±.019	.13	.16	.32	.30	.22	
		42	42	.084	.173	.065	.066	.386												.32
		43	43	.118	.207	.098	.066	.430												.37
		44	44	.182	.271	.162	.066	.494												.43
5	5/16"	51	52	.059	.148	.042	.097	.371	.420	.294	.299	.316	.323	±.020	.16	.19	.34	.30	.28	
		52	52	.084	.173	.065	.082	.387												.34
		53	53	.118	.207	.098	.082	.429												.38
		54	54	.182	.271	.162	.082	.494												.45
		55	55	.230	.319	.210	.082	.542												.49



* HOLES SHOULD BE CONCENTRIC WITHIN .012



CAGE CODE: 94222	THIRD ANGLE PROJECTION		southco CONNECT • CREATE • INNOVATE	
SURFACE AREA	INCHES [MM]			
VOLUME	TOLERANCES UNLESS OTHERWISE NOTED		DESCRIPTION NYLATCH PANEL FASTENER TWO PIECE	
PROPRIETARY ITEM	ALL DIMENSIONS WITHOUT TOLERANCES ARE FOR REFERENCE ONLY.		SIZE B	SYSTEM NX
EXCEPT FOR USES EXPRESSLY GRANTED IN WRITING, INFORMATION DISCLOSED HEREON IS CONFIDENTIAL AND ALL RIGHTS, PATENT AND OTHERWISE, ARE RESERVED BY SOUTHCO, INC.	PER ASME Y14.5M-1994	DRAWN BY MDY/JSS	DATE 26JAN2006	DWG NO. J-NY-3G-T
			SCALE 2:1	SHEET 1 OF 1