



No. 57 SPRING LATCH
KNURLED HEAD, RIVET TYPE, SMOOTH SPRING

DATE	DRAWN	CHKD	SCALE	DRAWING NUMBER
2-19-68	ESK		1 : 1	J-57-10-201-40

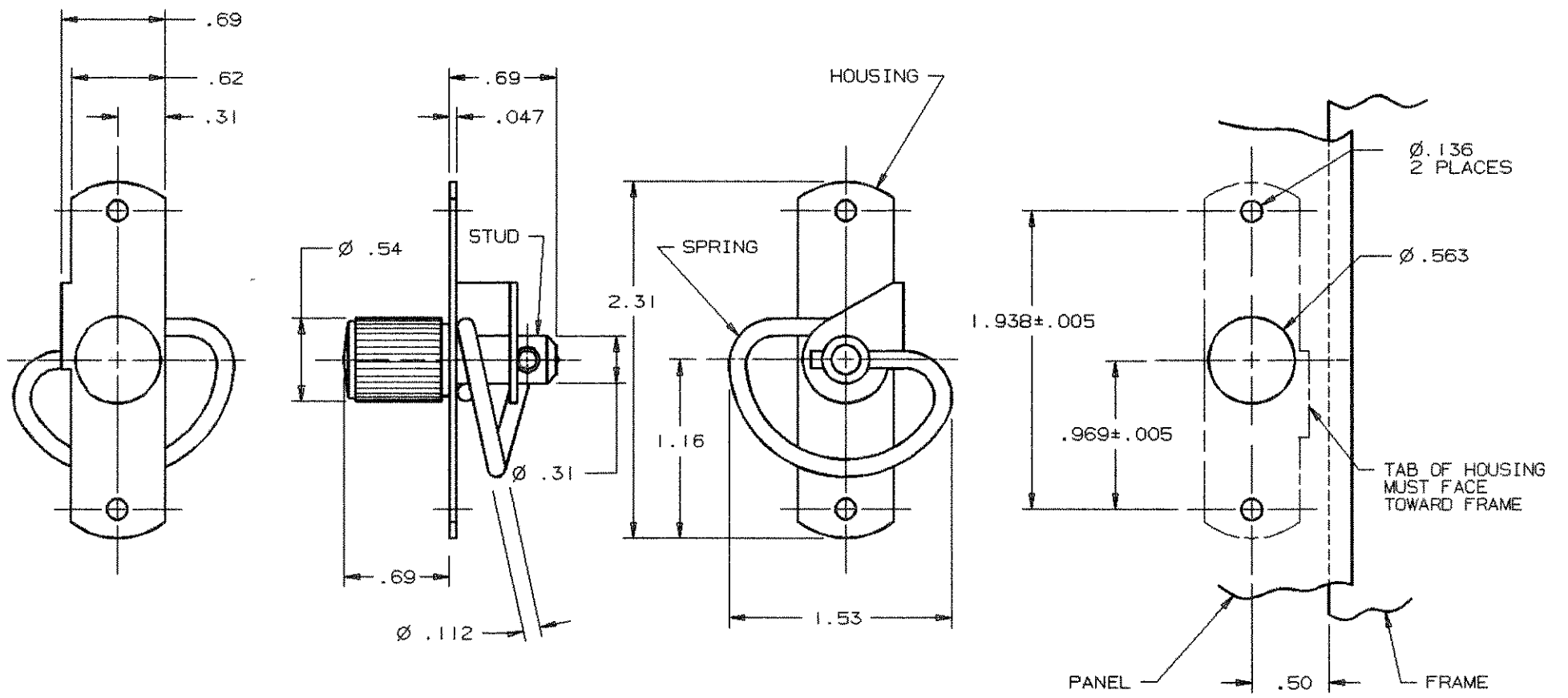
CONCORDVILLE, PA

REV.	DATE	BY-CHKD	REVISIONS	ITEM	COMPONENT	PART No.	MATERIAL	FINISH
B	1-13-87	GGG	CHANGED MAT'L FROM STAINLESS STEEL TO 302 303 STAINLESS STEEL	ASSEMBLY		57-10-201-40		
C	2-27-91	AAB	PRN: 57-106		STUD		303 STAINLESS STL.	PASSIVATE
					SPRING		302 STAINLESS STL.	PASSIVATE
					HOUSING		302 STAINLESS STL.	PASSIVATE

NOTES:

PANEL PREPARATION

1) ALLOWABLE FRAME THICKNESS .06 MIN .38 MAX



PROPRIETARY ITEM - EXCEPT FOR USES EXPRESSLY GRANTED IN WRITING
INFORMATION DISCLOSED HEREON IS CONFIDENTIAL AND ALL RIGHTS PATENT
AND OTHERWISE ARE RESERVED BY SOUTHCO, INC.

DRAWING NUMBER
J-57-10-201-40