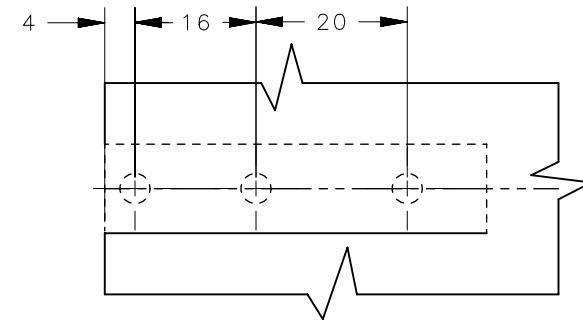
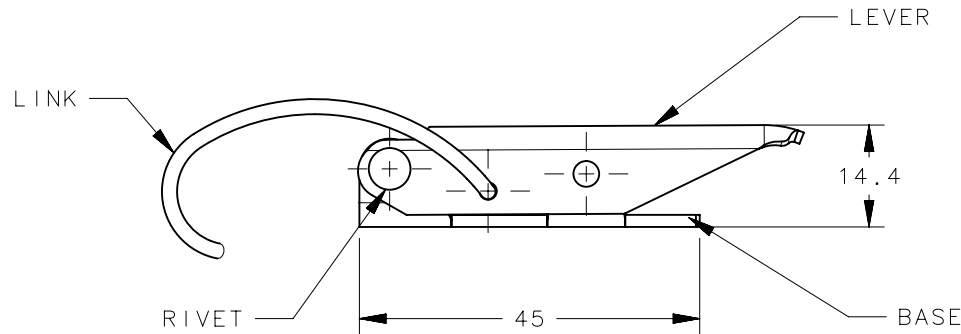
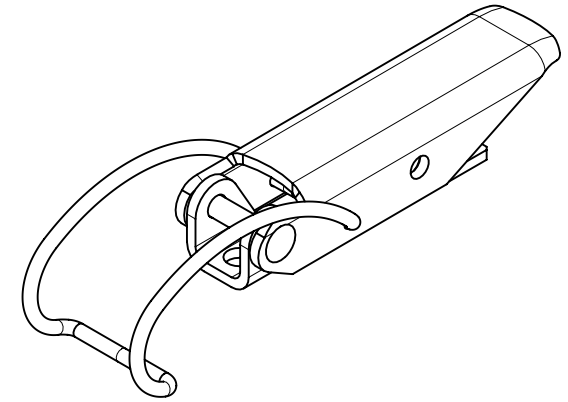
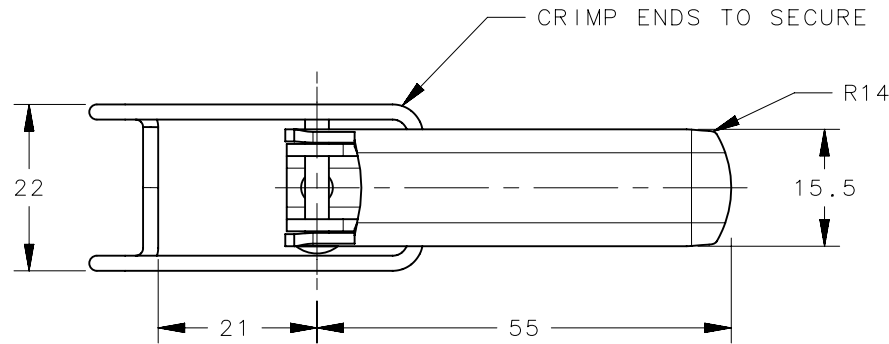


REVISION HISTORY			
REV	DATE	BY	DESCRIPTION
C	05OCT2017	SPD/VK	PRN: P2017-2455



FINISH TABLE

52	ELECTRO POLISHED
24	ELECTRO POLISHED
13	ZINC PLATE & BLACK PASSIVATED
07	ZINC PLATE & TRIVALENT PASSIVATED
SUFFIX "XX"	FINISH

4	-	1	BASE	-
3	-	1	LEVER	-
2	-	1	RIVET	-
1	-	1	LINK	-
-	TL-40-205-XX	-	TOGGLE LATCH ASSEMBLY	SEE FINISH TABLE
NO.	PART NUMBER	QTY	TYPE OF COMPONENT	GENERAL NOTES

THIRD ANGLE PROJECTION				<b>southco</b> <sup>®</sup> CONNECT • CREATE • INNOVATE	
MILLIMETERS [IN]					
TOLERANCES UNLESS OTHERWISE NOTED		DESCRIPTION TL - TOGGLE LATCH			
ALL DIMENSIONS WITHOUT TOLERANCES ARE FOR REFERENCE ONLY.		SIZE A4	SYSTEM NX	DWG NO. J-TL-40-205-XX	
PER ASME Y14.5M-1994		DRAWN BY ACH	DATE 09JUL2010	SCALE 1:1	SHEET 1 OF 1
<small>PROPRIETARY ITEM EXCEPT FOR USES EXPRESSLY GRANTED IN WRITING, INFORMATION DISCLOSED HEREON IS CONFIDENTIAL AND ALL RIGHTS, PATENT AND OTHERWISE, ARE RESERVED BY SOUTHCO, INC.</small>					