

DRAWING NUMBER
J-64-21-10

SCALE
FULL

CHKD
MPF

DATE
14SEP92

BRUSHED STAINLESS STEEL

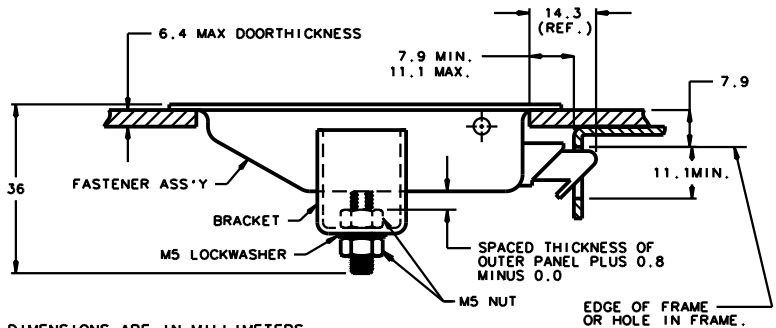
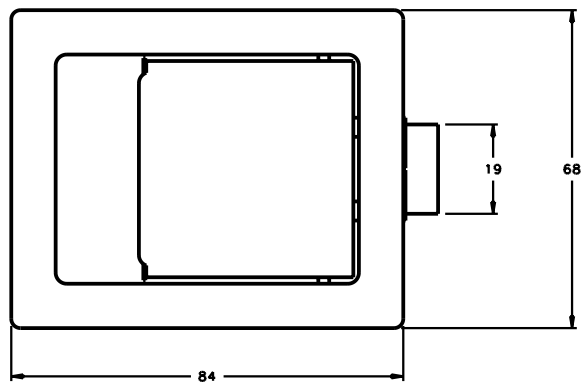
southco

ITEM	COMPONENT	PART No.	MATERIAL	FINISH
ASSEMBLY		64-21-10		
	CUP SUB-ASS'Y		SEE NOTE "A"	BRUSHED & PASSIVATED
	PADDLE		304 STAINLESS STEEL	BRUSHED & PASSIVATED
	PIN		302 STAINLESS STEEL	PASSIVATED
	SLIDE		304 STAINLESS STEEL	PASSIVATED
	SPRING		302 STAINLESS STEEL	PASSIVATED
	BRACKET		304 STAINLESS STEEL	PASSIVATED
	NUTS(2 REQ'D.)		304 STAINLESS STEEL	PASSIVATED
	LOCKWASHER		304 STAINLESS STEEL	PASSIVATED

DRAWING NUMBER
J-64-21-10

NOTE "A": CUP - 304 STAINLESS STEEL, BRUSHED, PASSIVATED.
GUIDE - 304 STAINLESS STEEL, PASSIVATED.
STUD - 302 STAINLESS STEEL, PASSIVATED.

INSTALLATION - PREPARE A RECTANGULAR HOLE 55.5 X 71.5 (2 MAX CORNER RADI) ADJUST FIRST NUT AS SHOWN, FOR THICKNESS OF OUTER PANEL. PLACE LATCH IN HOLE, THEN PLACE BRACKET OVER STUD AS SHOWN AND FASTEN WITH LOCKWASHER AND NUT.



ALL DIMENSIONS ARE IN MILLIMETERS.

REV. A 17MAR95 MSB PRN: 64-193

PROPRIETARY ITEM - EXCEPT FOR USES EXPRESSLY GRANTED IN WRITING THIS DOCUMENT IS UNCLASSIFIED AND ALL RIGHTS PATENT AND OTHERWISE ARE RESERVED BY SOUTHCO, INC.