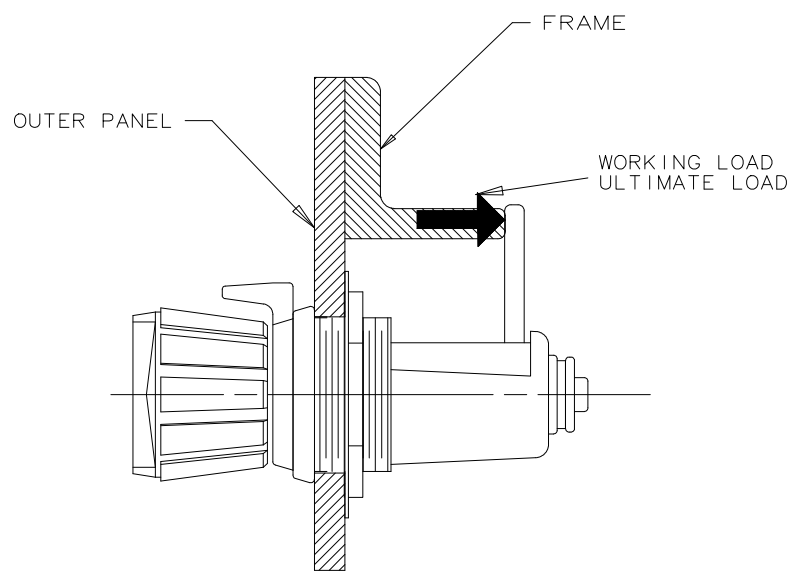


SOUTHCO PERFORMANCE GUIDELINES
THE PERFORMANCE GUIDELINES SHOWN ON THIS PAGE ARE SUPPLIED AS A GENERAL GUIDE ONLY, AS CONDITIONS VARY WITH EACH APPLICATION AND METHOD OF INSTALLATION. STRENGTH DATA GIVEN IS FOR FAILURE OF THE PRODUCT OR FOR SUFFICIENT DEFORMATION TO MAKE PRODUCT INOPERABLE. NO SAFETY FACTOR HAS BEEN APPLIED. IT IS RECOMMENDED THAT THE USER REQUEST A PRODUCT SAMPLE FOR TESTING TO DETERMINE THE SUITABILITY OF THE PRODUCT FOR THE PURPOSE INTENDED AND USER'S PARTICULAR APPLICATION.



PRODUCT CLASS-SERIES	MAXIMUM RECOMMENDED WORKING LOAD	AVERAGE ULTIMATE LOAD
16-100	670 N (150 LBS)	1420 N (320 LBS)
16-200	450 N (100 LBS)	845 N (190 LBS)
16-300	310 N (70 LBS)	560 N (125 LBS)
16-400	160 N (35 LBS)	270 N (60 LBS)
16-500	110 N (25 LBS)	220 N (50 LBS)

- ① WORKING LOAD is the maximum force that the product will withstand without affecting the operation or appearance of the product.
- ② Average ULTIMATE LOAD causes failure of the product or sufficient deformation to make the product inoperable.