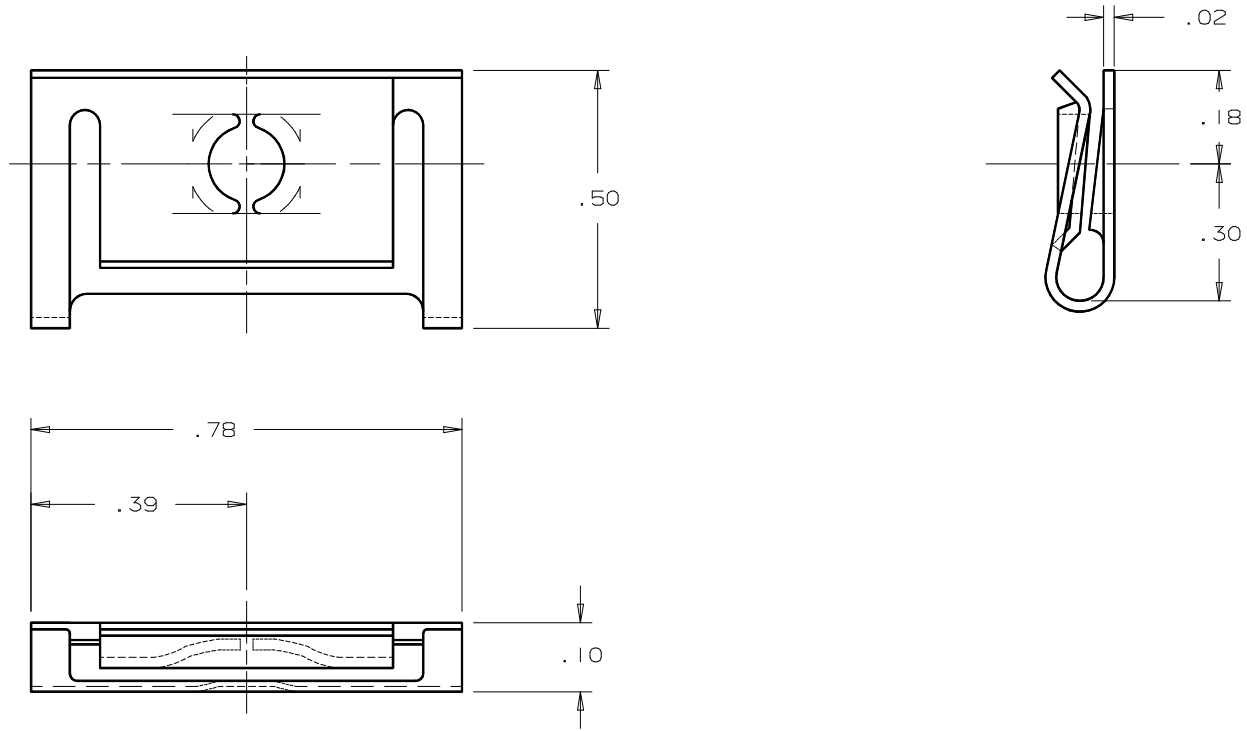


REV.	DATE	BY-CHKD	REVISIONS	PART No.	MATERIAL	FINISH		
A	9-28-89	TAB	PRN: 09-49	09-43-101-11	1064 STEEL	DACROTIZED™		
B	12APR93	ALC	PRN: S-1-03	09-43-101-24	17-7PH STAIN.STEEL	PASSIVATED		
C	21SEP93	JSS	ADDED P/N 09-43-101-24					



™ METAL COATINGS INTERNATIONAL, INC.