

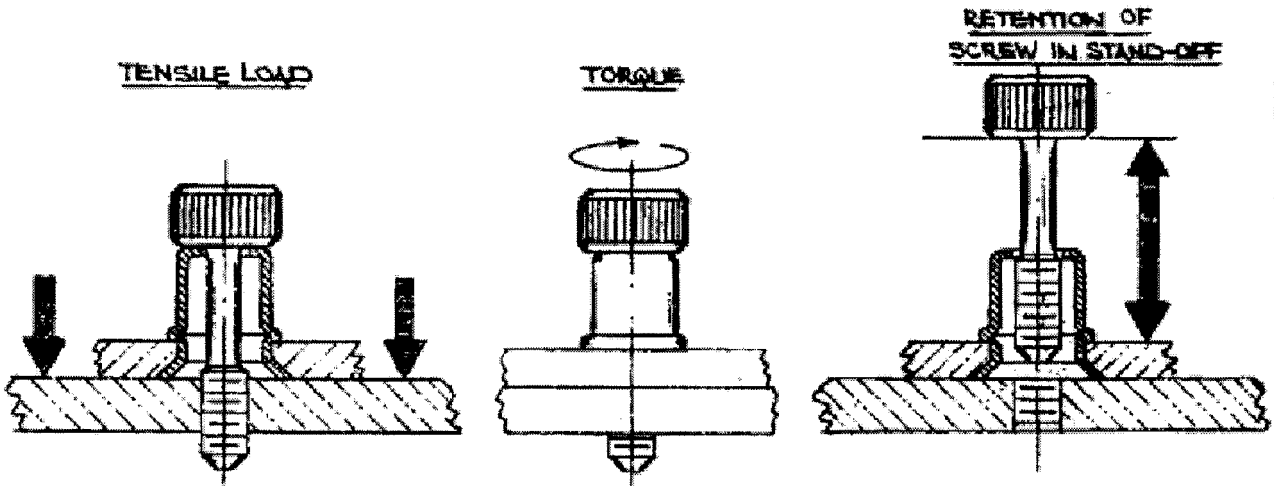
DATE	SCALE	CHGD	BY	APP
10-10-11				
RS	DATE	BY	APP	
A				
B				
C				
D				

General Performance Guidelines

The information shown on this page was determined under one set of test conditions and is supplied as a general guide only, as conditions vary with each application. Strength data given is for failure of the product or for sufficient deformation to make the product inoperable. No safety factor has been applied. It is recommended that the user test the product for his particular application.

DRAWING NUMBER TD-514-J

DRAWING NUMBER TD-514-J



N#51 SCREW ASSEMBLY

THREAD SIZE	TENSILE (LBS.) *	TORQUE IN-LBS. #	RETENTION ** FAILURE LOAD (LBS.)	SHEAR (LBS.)
4-40	300	8	75	350
6-32	400	14	100	600
8-32	600	31	175	1000
10-24	750	45	200	1150
10-32	750	45	275	1150
1/4-20	800	77	275	2100
1/4-28	800	77	350	2100

* FASTENER YIELDED WHEN THESE LOAD FIGURES WERE APPLIED.
 ** LOAD REQUIRED TO SEPARATE SCREW FROM STAND-OFF.

N#51 FASTENER

southco

PROPRIETARY ITEM. EXCEPT FOR USES EXPRESSLY GRANTED IN WRITING, IN FORMATION DISCLOSED HEREON IS CONFIDENTIAL AND ALL RIGHTS, PATENT AND OTHERWISE, ARE RESERVED BY SOUTHCO, INC.