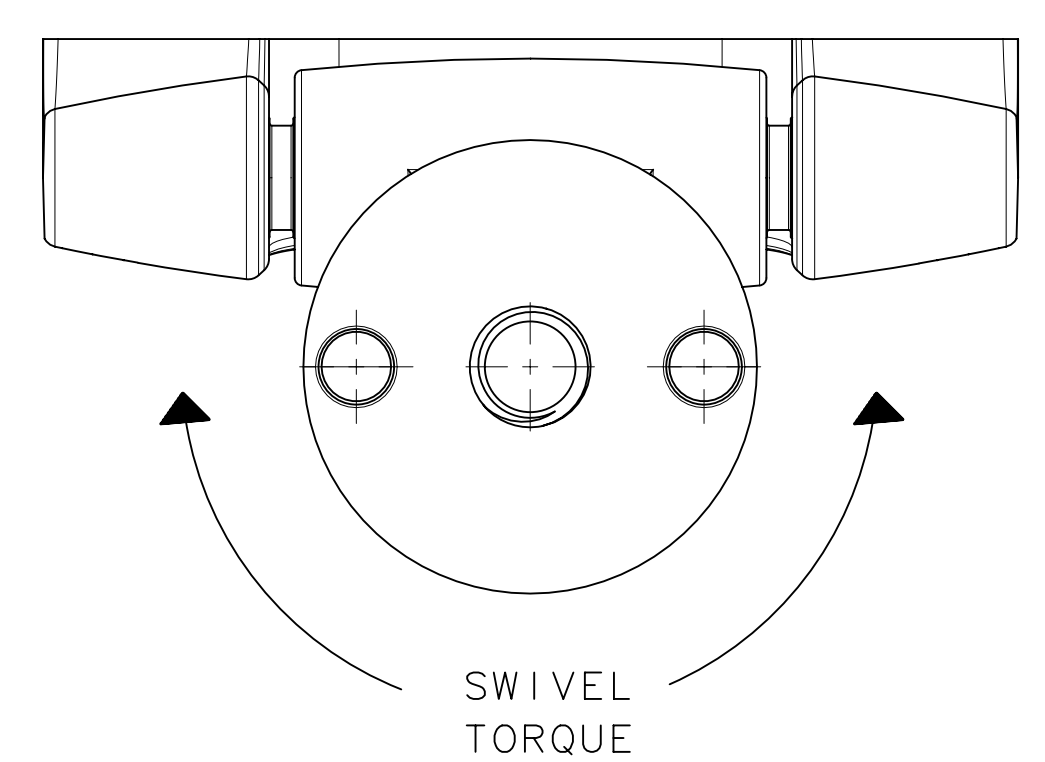
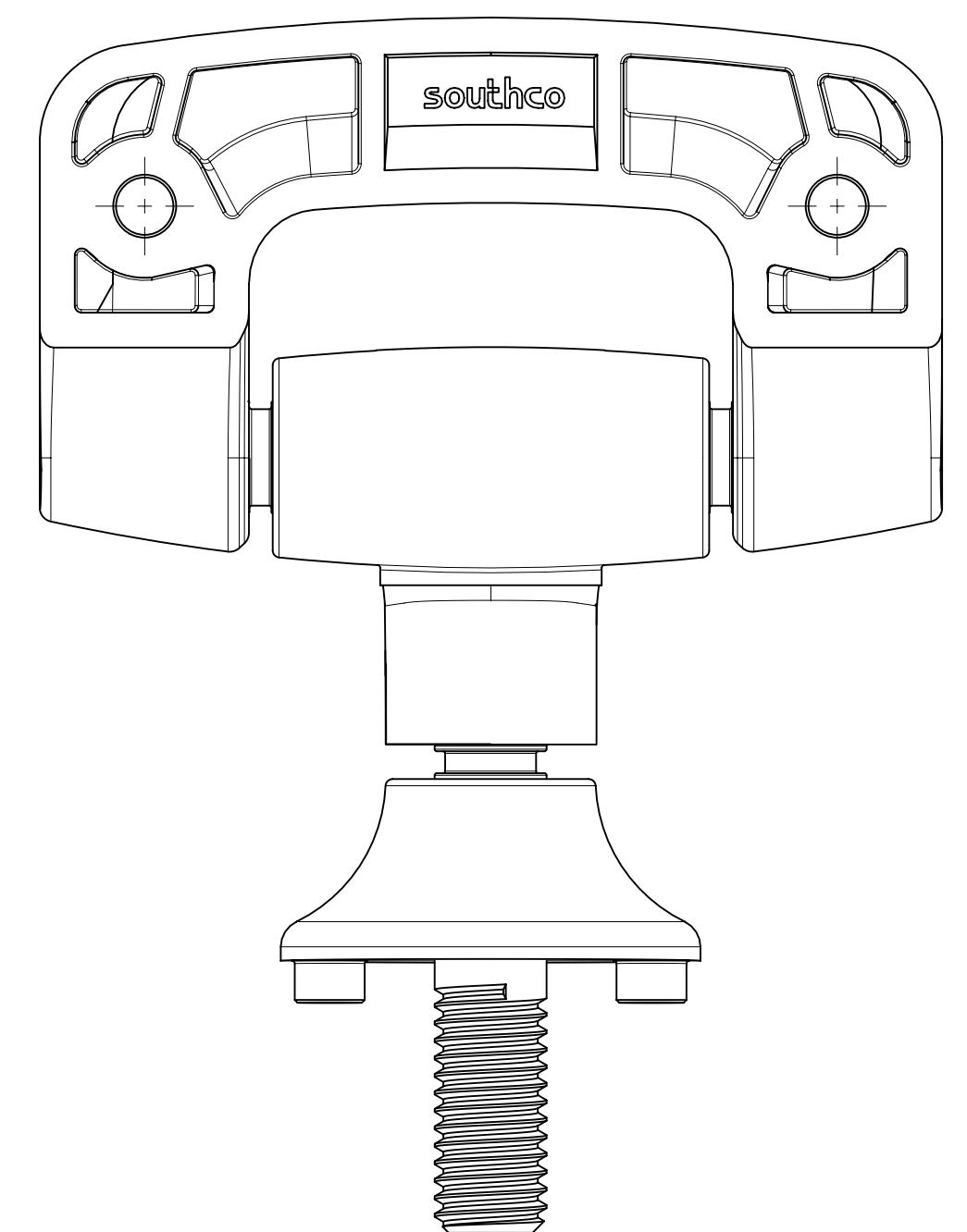
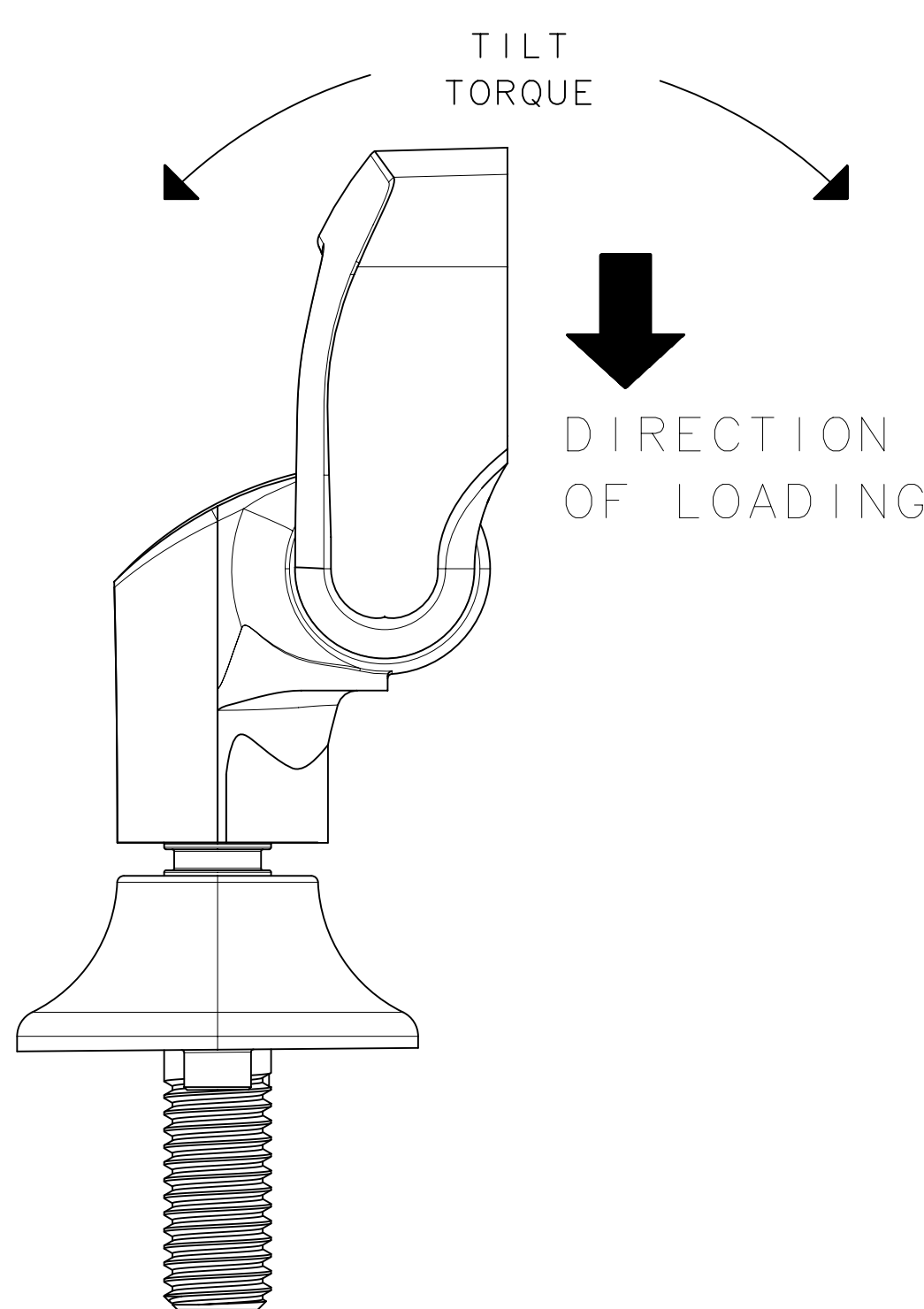


REVISION HISTORY			
REV	DATE	BY	DESCRIPTION
B	06JAN2014	JJT/MJS	PRN: P2014-0025



- NOTES:
1. TILT ASSEMBLY SYSTEM CYCLE TEST MOTION AS INDICATED: FORWARD 90° AND 90° REVERSE DISPLAY TILT.
 2. SWIVEL ASSEMBLY SYSTEM CYCLE TEST MOTION AS INDICATED: 0° - 180°
 3. TORQUE SPECIFICATIONS AT A CYCLE LIFE OF 20,000 AT 25% DUTY CYCLE AT SPEEDS LESS THAN 15 RPM.
 4. REF: trAV-15165

PART NUMBER	SWIVEL TORQUE ±20% N*m (lbf-in)	TILT TORQUE ±20% N*m (lbf-in)	AVERAGE ULTIMATE LOAD N (lbf)	WORKING LOAD RATING PER N (lbf)	MAX TIGHTENING TORQUE OF SCREWS N*m (lbf-in)	CYCLE LIFE
AV-C20-K101-20	2.3 (20.0)	3.6 (32.0)	1000 (225)	100.0 (22.5)	2.3 (20.0)	20,000

THIRD ANGLE PROJECTION			southco CONNECT · CREATE · INNOVATE
MILLIMETERS [IN]			
TOLERANCES UNLESS OTHERWISE NOTED		DESCRIPTION STANDARD TILT AND SWIVEL OVERMOLD HINGE	SIZE SYSTEM D NX DWG NO. TD-AV-C20-K101
SURFACE AREA	XXXXXmm ²		
VOLUME	XXXXXmm ³		
PROPRIETARY ITEM			
EXCEPT FOR USES EXPRESSLY GRANTED IN WRITING, INFORMATION DISCLOSED HEREON IS CONFIDENTIAL AND ALL RIGHTS, PATENT AND OTHERWISE, ARE RESERVED BY SOUTHCO, INC.		PER ASME Y14.5M-1994	DRAWN BY JJT DATE 31OCT2013 SCALE 1:1 SHEET 1 OF 1