

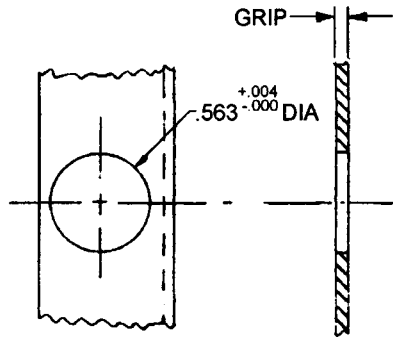


SOUTHCO NO. 02 ROUND MAGNETIC LATCH
400 SERIES

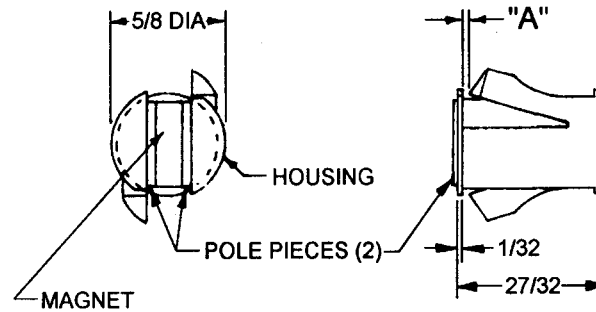
DATE	DRAWN	CHKD	SCALE	DRAWING NUMBER
6-6-72	VBS	RHB	NTS	J-02-20-4

REV. LET.	DATE	BY-CHKD	REVISIONS	LATCH PART NO.	GRIP	"A"	WEIGHT LBS / M	R.S.	DATE	APP.
H	29OCT97	SWD	PRN: 02-101 A	02-20-411-10	.020 TO .080	.030	16.6	A	9-18-73	RHG
				02-20-412-10	.080 TO .140	.090	16.6	B		
				02-20-413-10	.140 TO .200	.150	16.6	C		
								D	9-18-73	SJM

FRAME PREPARATION

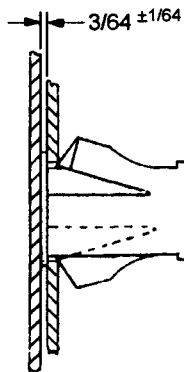


LATCH



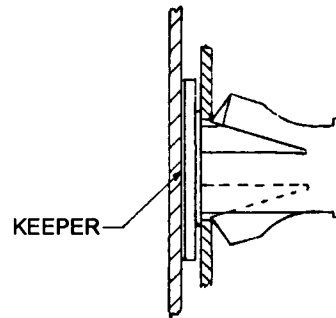
HOUSING - POLYPROPYLENE, BLACK
MAGNET - BARIUM FERRITE
POLE PIECES - 1010 STEEL, ZINC PLATE
PER QQ-Z-325 TY.I, CL.3

INSTALLATION MAGNETIC DOORS



SNAP LATCH INTO HOLE
IN FRAME & CLOSE DOOR

INSTALLATION NON-MAGNETIC DOORS



USE KEEPER PART NO. 02-14-301-14
ORDER SEPARATELY BY PART NUMBER

KEEPER - ADHESIVE BACKED

PART NO. 02-14-301-14
MATERIAL: 1010 STEEL
FINISH: ZINC PLATE PER ASTM: B633 TY.1

