

SOUTHCO PERFORMANCE GUIDELINES:  
 THE PERFORMANCE GUIDELINES SHOWN ON THIS PAGE ARE SUPPLIED AS A GENERAL GUIDE ONLY, AS CONDITIONS VARY WITH EACH APPLICATION AND METHOD OF INSTALLATION. STRENGTH DATA GIVEN IS FOR FAILURE OF THE PRODUCT OR FOR SUFFICIENT DEFORMATION TO MAKE PRODUCT INOPERABLE. NO SAFETY FACTOR HAS BEEN APPLIED IT IS RECOMMENDED THAT THE USER REQUEST A PRODUCT SAMPLE FOR TESTING TO DETERMINE THE SUITABILITY OF THE PRODUCT FOR THE PURPOSE INTENDED AND USER'S PARTICULAR APPLICATION.

**southco**

PROPRIETARY ITEM - EXCEPT FOR USES EXPRESSLY GRANTED IN WRITING INFORMATION DISCLOSED HEREON IS CONFIDENTIAL AND ALL RIGHTS PATENT AND OTHERWISE ARE RESERVED BY SOUTHCO, INC.

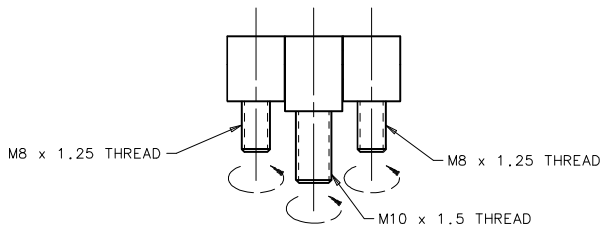
EH IN-LINE HINGE

DATE	DRAWN	CHKD	SCALE	DRAWING NUMBER
11 JUL 2005	AJH	TLK	.75:1	TD-EH-8R-5G-J

REV	DATE	DRAWN/CHKD	DESCRIPTION
A	15 NOV 2007	DLH/SP	ADDED TORQUE SPECIFICATIONS

THIRD ANGLE PROJECTION  
 A3 PAPER SIZE

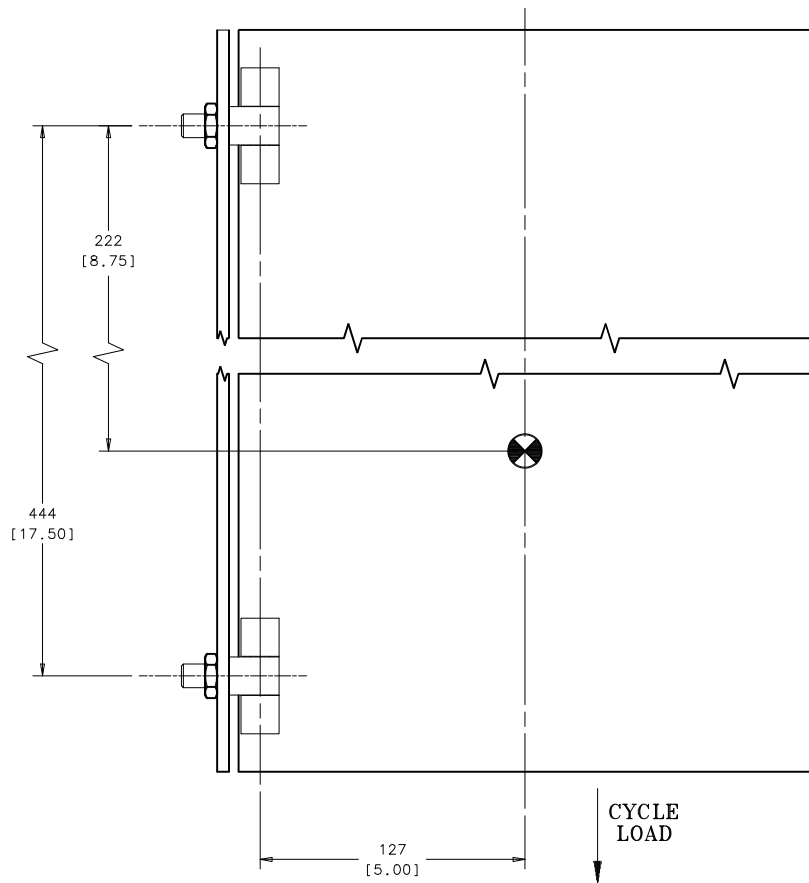
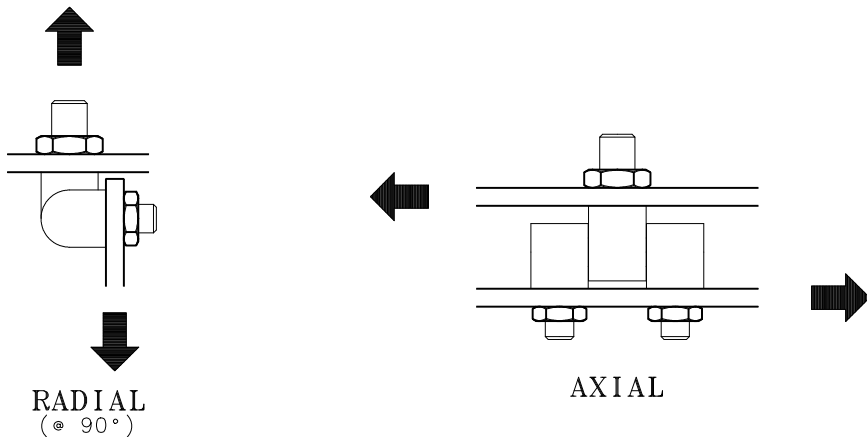
MILLIMETER/[ INCH ]



**HEX NUT TORQUE**

EH-8R-5G-38	M8 x 1.25 THREAD	M10 x 1.5 THREAD
RECOMMENDED MAXIMUM TIGHTEN TORQUE:	900 N•cm(80 lbf•in)	2100 N•cm(190 lbf•in)
AVERAGE ULTIMATE TIGHTEN TORQUE:	1700 N•cm(150 lbf•in)	4300 N•cm(380 lbf•in)

SEE NOTE B



**CYCLE TEST SET-UP**  
 SCALE .5:1

NOTES:  
 A. CYCLE TEST: TWO HINGES WERE MOUNTED ON A 40lb. CABINET DOOR. SAMPLES WERE ROTATED (cycled) 180°. PRODUCT PASSED 5000 CYCLES WITH NO LOSS OF FUNCTION.  
 B. WHEN AVERAGE ULTIMATE TIGHTEN TORQUE IS APPLIED THREAD STUDS BREAK.

PART NUMBER	CYCLE LIFE @ 178 N/ 40 lbf	MAX STATIC WORKING RADIAL LOAD @ 90° N / lbf	MAX STATIC WORKING AXIAL LOAD N / lbf
EH-8R-5G-38	5,000 CYCLES	5000 N / 1124 lbf	5000 N / 1124 lbf