

southco

PROPRIETARY ITEM - EXCEPT FOR USES EXPRESSLY GRANTED IN WRITING INFORMATION DISCLOSED HEREON IS CONFIDENTIAL AND ALL RIGHTS PATENT AND OTHERWISE ARE RESERVED BY SOUTHCO, INC.


ADJUSTABLE TENSION LATCH

| | | | | |
|-----------|-------|------|-------|----------------|
| DATE | DRAWN | CHKD | SCALE | DRAWING NUMBER |
| 05FEB2009 | MJS | MJS | .5:1 | J-91-812-52 |

| REV | DATE | DRAWN/CHKD | DESCRIPTION | ITEM | PART NUMBER | MATERIAL | FINISH |
|-----|-----------|------------|-------------------------|--------------------|-------------|------------------------------------------------|-----------|
| A | 05FEB2009 | MJS/ | INITIAL DRAWING RELEASE | LATCH ASSEMBLY | 91-812-52 | - | - |
| B | 31AUG2009 | MJS/ | PRN: P2009-1029 | HANDLE | - | 304 CRES | PASSIVATE |
| C | 19JUL2018 | CMS/MWD | PRN: P2018-1727 | KEEPER | - | 304 CRES | PASSIVATE |
| | | | | YOKE | - | 304 CRES | PASSIVATE |
| | | | | PIVOT PIN | - | 303 CRES | PASSIVATE |
| | | | | RIVET | - | 303 CRES | PASSIVATE |
| | | | | MOUNTING BRACKET | - | 304 CRES | PASSIVATE |
| | | | | HOOK ASSEMBLY | - | HOOK - 304 CRES WELD SCREW - 18-8 STAINLESS | PASSIVATE |
| | | | | RETAINER | - | 304 CRES | PASSIVATE |
| | | | | SQUARE NUT | - | 18-8 STAINLESS | PASSIVATE |
| | | | | SLOTTED SPRING PIN | - | 302 STAINLESS | |

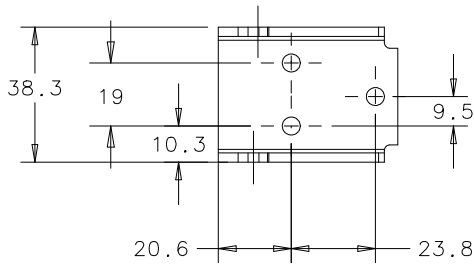
MILLIMETERS

ALL DIMENSIONS WITHOUT TOLERANCES ARE FOR REFERENCE ONLY.

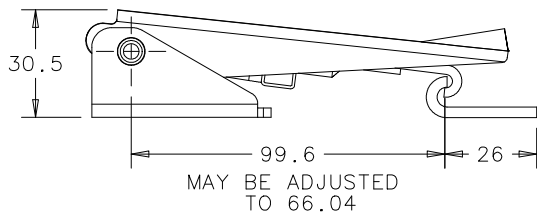


THIRD ANGLE PROJECTION

A4 PAPER SIZE



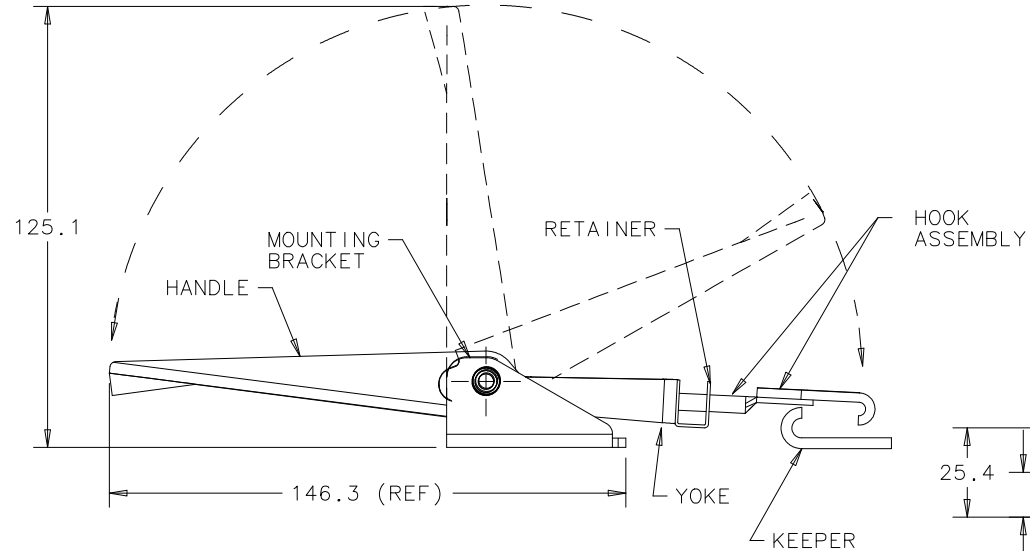
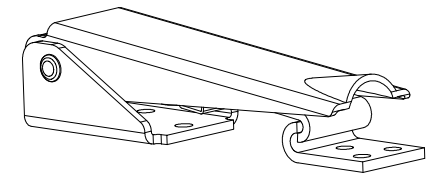
MOUNTING BRACKET



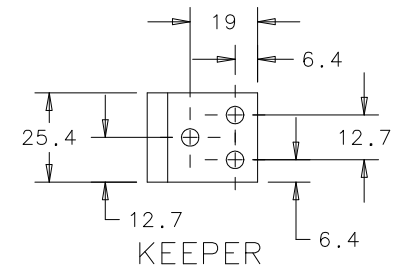
LATCHED POSITION

NOTES:

1. MAXIMUM LOAD = 1000 LBS
2. THE LATCH HANDLE SHOULD ROTATE WITHOUT BINDING AFTER ASSEMBLY INSTALLATION



LATCHED POSITION



KEEPER