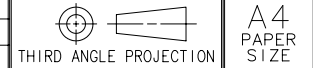
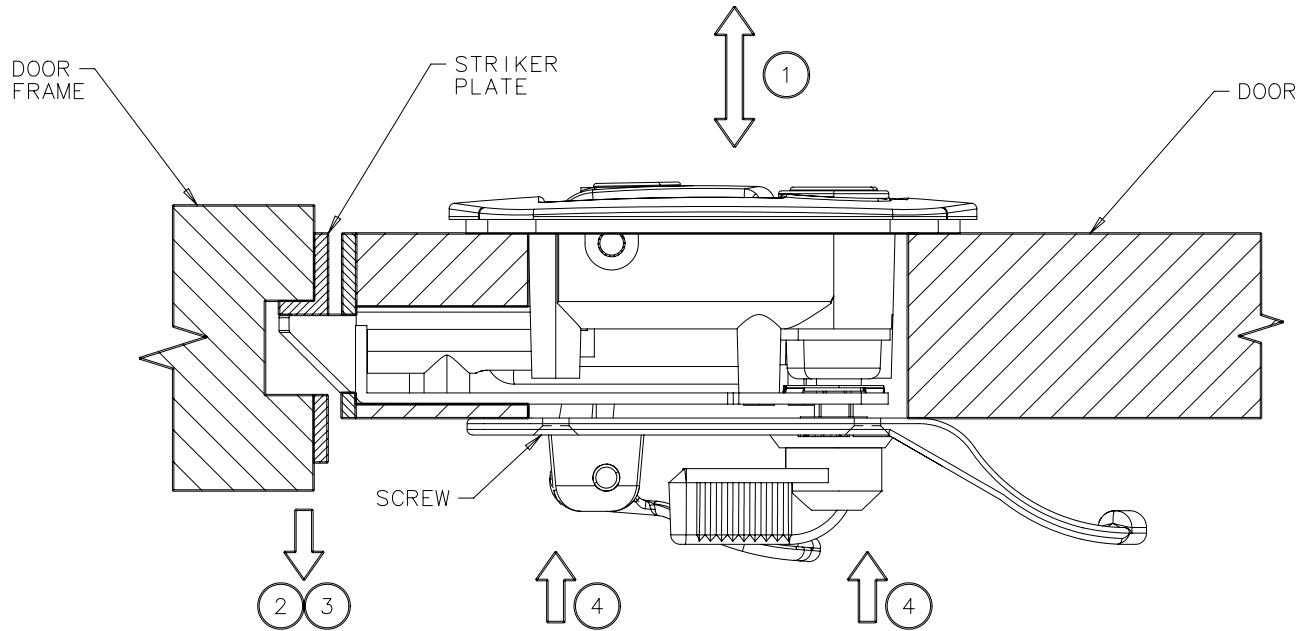


REV	DATE	DRAWN/CHKD	DESCRIPTION



SOUTHCO PERFORMANCE GUIDELINES
 THE PERFORMANCE GUIDELINES SHOWN ON THIS PAGE ARE SUPPLIED AS A GENERAL GUIDE ONLY, AS CONDITIONS VARY WITH EACH APPLICATION AND METHOD OF INSTALLATION. STRENGTH DATA GIVEN IS FOR FAILURE OF THE PRODUCT OR FOR SUFFICIENT DEFORMATION TO MAKE PRODUCT INOPERABLE. NO SAFETY FACTOR HAS BEEN APPLIED. IT IS RECOMMENDED THAT THE USER REQUEST A PRODUCT SAMPLE FOR TESTING TO DETERMINE THE SUITABILITY OF THE PRODUCT FOR THE PURPOSE INTENDED AND USER'S PARTICULAR APPLICATION.



PART NUMBER: R3-10-311-X0

MAXIMUM DYNAMIC WORKING LOAD ①		AVERAGE ULTIMATE TENSILE LOAD ② ③		MAXIMUM RECOMMENDED TIGHTENING TORQUE ④
TO OPEN	TO CLOSE	ON PAWL	ON DEADBOLT	ON MOUNTING SCREWS
15 N (3.5 lbf)	60 N (14 lbf)	3,600 N (800 lbf)	3,000 N (675 lbf)	2 N (14 lbf·in)

CYCLE LIFE: 10,000 CYCLES.