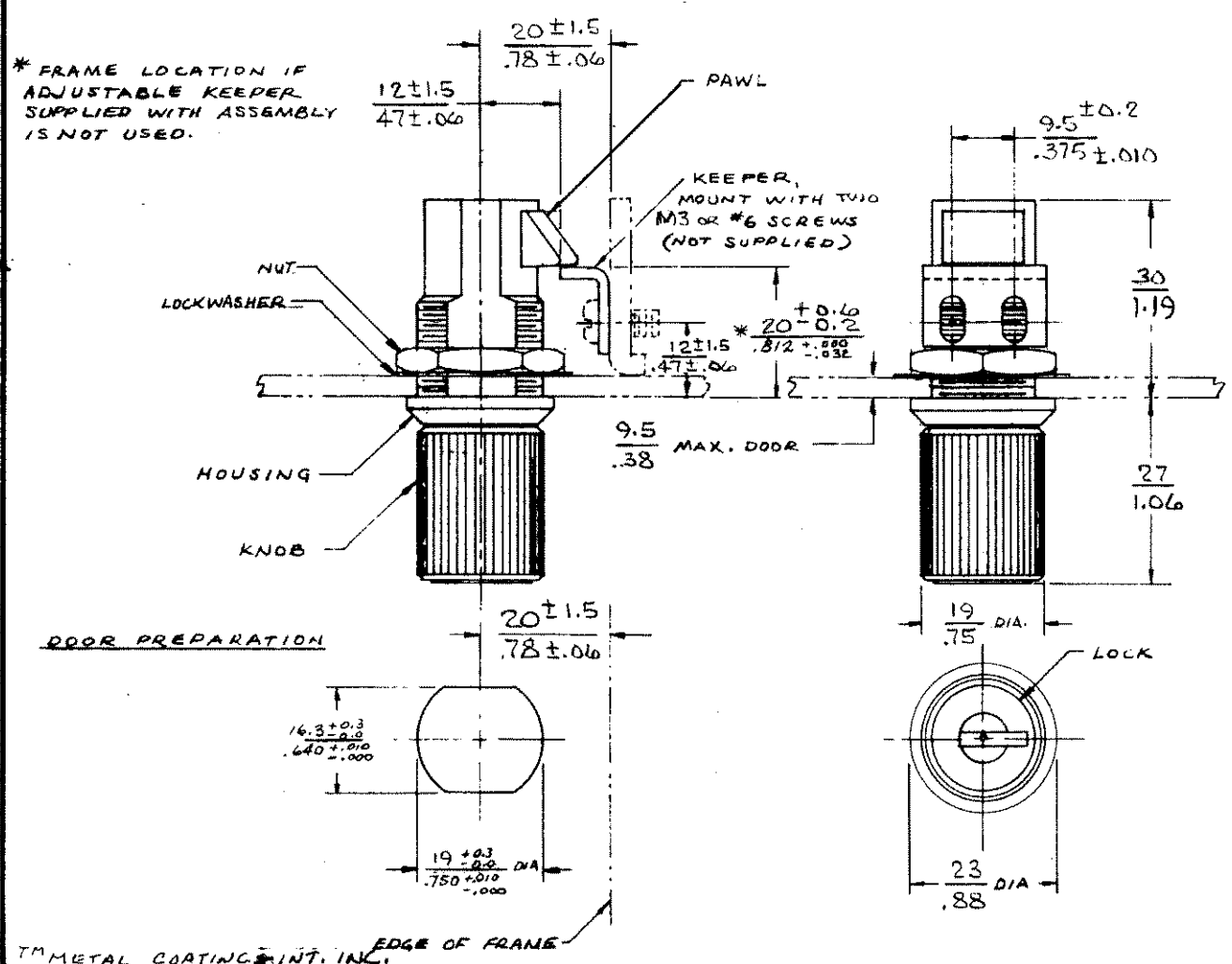


REV. LET.	DATE	BY-CHKD	REVISIONS	ASSY PART NO
A	4/24/87	GJ	PRN 01-70-A	93-10-202-50
B	3-21-88	GJC	PRN 93-68	
C	4-20-88	MIK	PRN 16-78	
D	7-14-88	AHS	PRN 93-75	
E	11-16-88	SML	PRN 93-81	
F	6-9-93	JGK	PRN 93-137	



ASSEMBLY PART NO 93-10-202-50  
 CONSISTS OF ONE LATCH SUB-ASSY,  
 TWO KEYS, ONE NUT, ONE LOCK-  
 WASHER, AND ONE KEEPER, PACKED  
 IN A PLASTIC BAG.

HOUSING - DIE CAST ZINC,  
 BRIGHT CHROME PLATED.

KNOB AND PAWL ARE BLACK  
 THERMOPLASTIC.

KEEPER, STEEL DACROTIZED™  
 LOCKWASHER,  
 STEEL, DACROTIZED™

LOCK - DIE CAST ZINC, BLACK  
 ORGANIC COATING.

NUT IS DIECAST ZINC, CHEM. PROTECTIVE FILM

KEY TURNS ONE-HALF TURN CLOCKWISE  
 TO LOCK, ONE-HALF TURN COUNTER-  
 CLOCKWISE TO UNLOCK. KEY IS  
 REMOVABLE IN LOCKED AND UNLOCKED  
 POSITIONS.

KNOB TURNS ONE QUARTER TURN IN  
 EITHER DIRECTION TO UNLATCH.

MAY BE SLAM CLOSED WHEN LOCKED.

MILLIMETER/INCH  
 MILLIMETER  
 INCH

TM METAL COATING INT. INC. EDGE OF FRAME  
 PROPRIETARY ITEM—EXCEPT FOR USES EXPRESSLY GRANTED IN WRITING, IN-  
 FORMATION DISCLOSED HEREON IS CONFIDENTIAL AND ALL RIGHTS, PATENT AND  
 OTHERWISE, ARE RESERVED BY SOUTHCO, INC.

TOLERANCE UNLESS OTHERWISE NOTED  
 METRIC MM - TWO PLACE (XX) ± ONE PLACE (X) ±  
 INCH - DECIMALS ± FRACTIONS ± ANGLES ±

DRAWING NUMBER  
 J-93-10-202-50