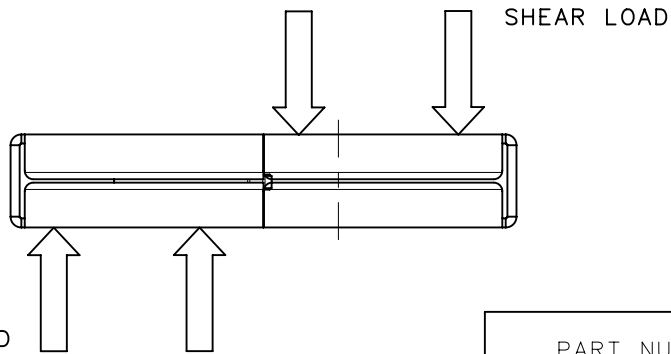


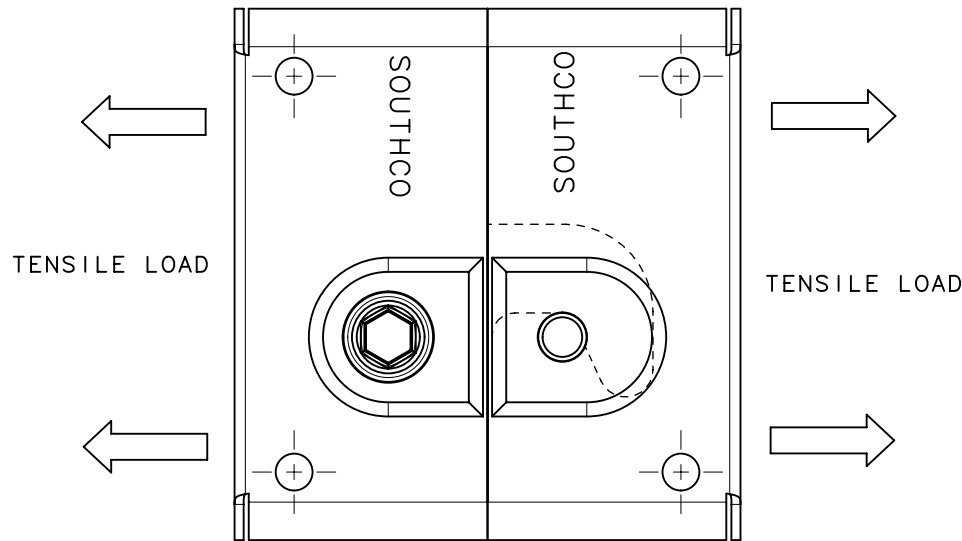
REVISION HISTORY			
REV	DATE	BY	DESCRIPTION
B	24JAN2020	DKP/DMS	PRN: P2020-0158



### SOUTHCO PERFORMANCE GUIDELINES

THE PERFORMANCE GUIDELINES SHOWN ON THIS PAGE ARE SUPPLIED AS A GENERAL GUIDE ONLY, AS CONDITIONS VARY WITH EACH APPLICATION AND METHOD OF INSTALLATION. STRENGTH DATA GIVEN IS FOR FAILURE OF THE PRODUCT OR FOR SUFFICIENT DEFORMATION TO MAKE PRODUCT INOPERABLE. NO SAFETY FACTOR HAS BEEN APPLIED IT IS RECOMMENDED THAT THE USER REQUEST A PRODUCT SAMPLE FOR TESTING TO DETERMINE THE SUITABILITY OF THE PRODUCT FOR THE PURPOSE INTENDED AND USER'S PARTICULAR APPLICATION.

PART NUMBER	MAXIMUM WORKING TENSILE LOAD ①	AVERAGE ULTIMATE TENSILE LOAD ②	AVERAGE ULTIMATE SHEAR LOAD ③	CYCLIC ④ DURABILITY
LATCH R5-0074-XX	8896 N (2000 lbf)	15300 N (3439 lbf)	68180 N (15327 lbf)	5000 CYCLES
RECEPTACLE R5-0079-XX				



- ① THE LATCHES AND RECEPTACLES TESTED WERE MADE OF STEEL.
- ② AVERAGE ULTIMATE TENSILE LOAD CAUSES FAILURE OF THE PRODUCT OR SUFFICIENT DEFORMATION TO MAKE THE PRODUCT INOPERABLE. FAILURE OCCURED WHEN THE MOUNTING SCREWS BENT/BROKE AND THE HOUSINGS DEFORMED.
- ③ AVERAGE ULTIMATE SHEAR LOAD CAUSES FAILURE OF THE PRODUCT OR SUFFICIENT DEFORMATION TO MAKE THE PRODUCT INOPERABLE. FAILURE OCCURED WHEN THE HOUSING AND HOOKS DEFORMED.
- ④ CYCLIC DURABILITY: MAXIMUM RECOMMENDED TENSILE LOAD WAS APPLIED ONE TIME THEN CYCLED AT A TENSILE LOAD OF 889 N (200 lbf) SOME WEAR WILL OCCUR WITHOUT LOSS OF PRIMARY FUNCTION.
- ⑤ INITIAL OPERATING FORCE AT ZERO CYCLES, IS THE AVERAGE AMOUNT OF TORQUE REQUIRED OF THE HEX WRENCH TO FULLY OPEN AND CLOSE THE LATCH WITHOUT ANY GASKETING MATERIALS USED BETWEEN THE PANELS. TO OPEN: 4 Nm (34.5 in lbs), TO CLOSE: 5 Nm (42.5 in lbs).

REFERENCE : R5-37790  
R5-38935  
R5-39699

CPB NUMBER	THIRD ANGLE PROJECTION	 CONNECT • CREATE • INNOVATE		
	MILLIMETERS [IN]			
SURFACE AREA	TOLERANCES UNLESS OTHERWISE NOTED	DESCRIPTION NO. R5 DUAL LOCK BUTT-JOINT PANEL FASTENER		
VOLUME	ALL DIMENSIONS WITHOUT TOLERANCES ARE FOR REFERENCE ONLY.	SIZE A4	SYSTEM NX	DWG NO. TD-R5-1-J
PROPRIETARY ITEM EXCEPT FOR USES EXPRESSLY GRANTED IN WRITING, INFORMATION DISCLOSED HEREON IS CONFIDENTIAL AND ALL RIGHTS, PATENT AND OTHERWISE, ARE RESERVED BY SOUTHCO, INC.	PER ASME Y14.5M-1994	DRAWN BY MJS/JSS	DATE 28JAN2006	SCALE 0.75:1 SHEET 1 OF 1